

HILTI

TE 4-A18

Operating instructions

en

Mode d'emploi

fr

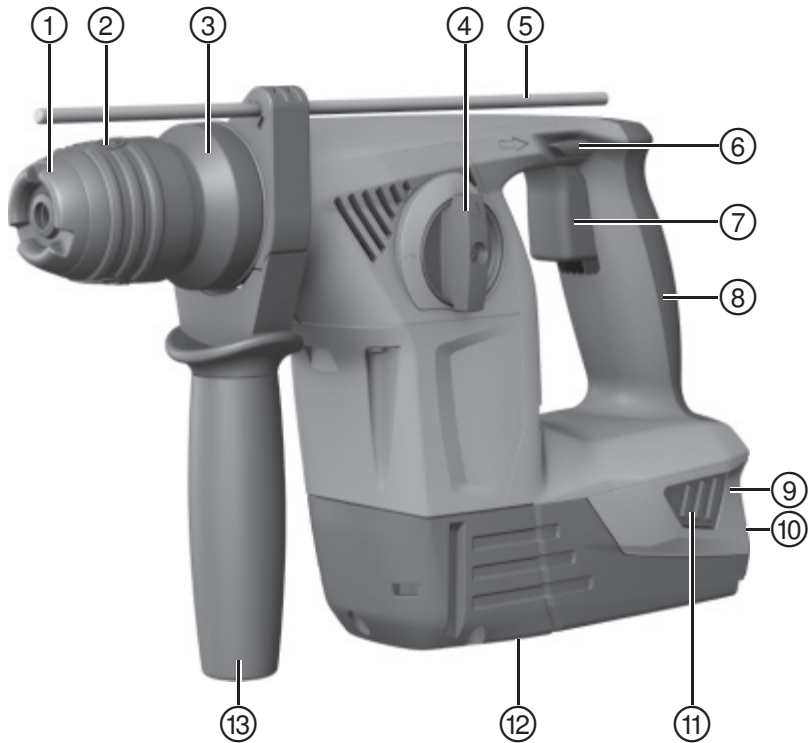
Manual de instrucciones

es

Manual de instruções

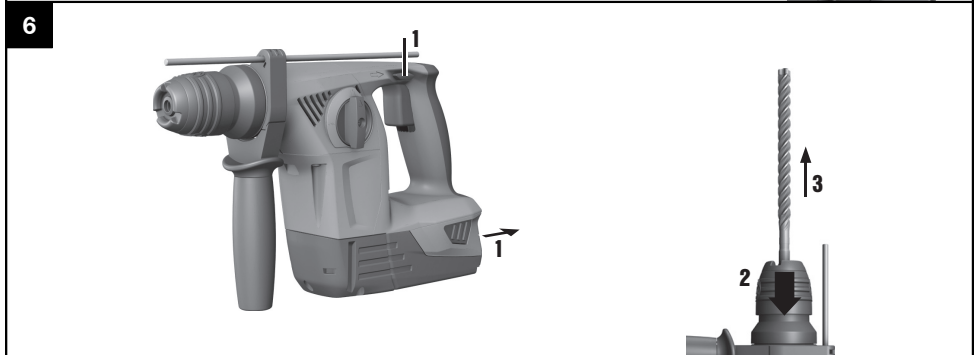
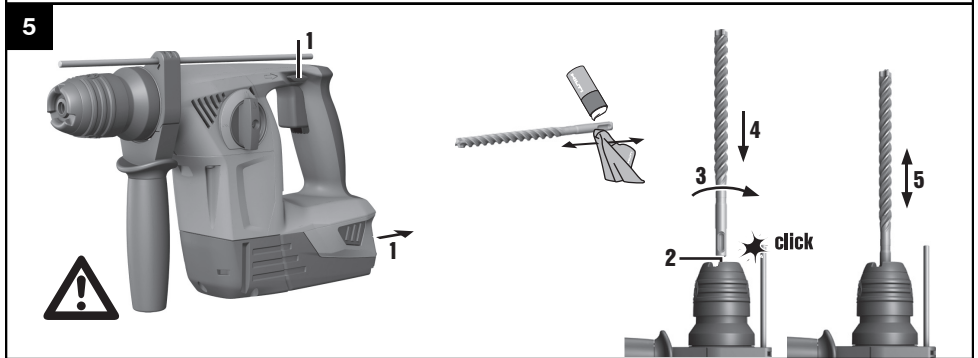
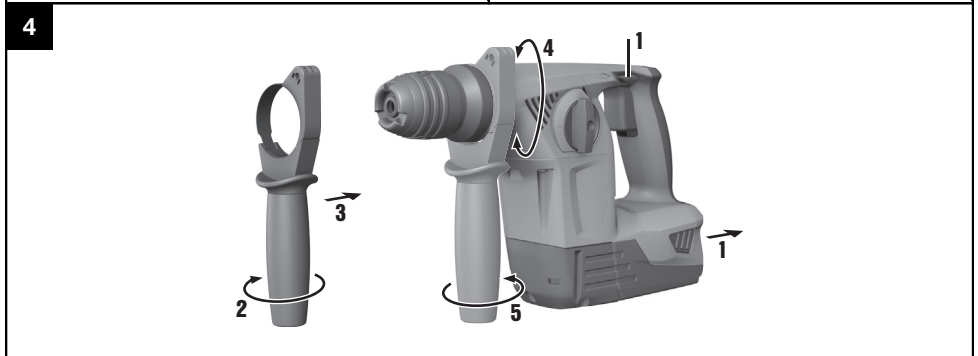
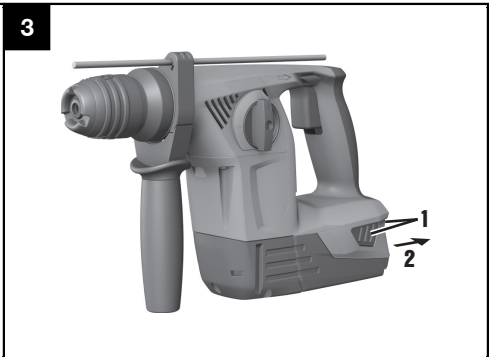
pt





This Product is Certified
Ce produit est certifié
Este producto esta certificado
Este producto está certificado





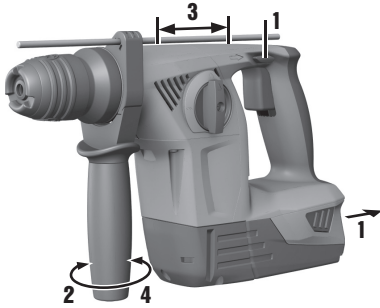
7



8



9



ORIGINAL OPERATING INSTRUCTIONS

TE 4-A18 cordless rotary hammer

It is essential that the operating instructions are read before the power tool is operated for the first time.

Always keep these operating instructions together with the power tool.

Ensure that the operating instructions are with the power tool when it is given to other persons.

Contents	Page
1 General information	1
2 Safety instructions	2
3 Description	4
4 Technical data	5
5 Operation	5
6 Care and maintenance	6
7 Troubleshooting	7
8 Disposal	8
9 Manufacturer's warranty - tools	8

1 These numbers refer to the illustrations. You can find the illustrations at the beginning of the operating instructions.

In these operating instructions, the designation "the power tool" always refers to the TE 4-A18 cordless rotary hammer.

Components, operating controls and indicators **1**

- ① Dust shield
- ② TE-C CLICK chuck
- ③ Insert tool unlocking device
- ④ Function selector switch
- ⑤ Depth gauge
- ⑥ Forward / reverse selector switch with safety lock
- ⑦ Control switch
- ⑧ Grip
- ⑨ Battery
- ⑩ Charge status and fault display (Li-ion battery)
- ⑪ Battery release buttons
- ⑫ Interface for the TE DRS-4-A (01) dust removal module
- ⑬ Side handle

en

1 General information

1.1 Safety notices and their meaning

DANGER

Draws attention to imminent danger that will lead to serious bodily injury or fatality.

WARNING

Draws attention to a potentially dangerous situation that could lead to serious personal injury or fatality.

CAUTION

Draws attention to a potentially dangerous situation that could lead to slight personal injury or damage to the equipment or other property.

NOTE

Draws attention to an instruction or other useful information.

1.2 Explanation of the pictograms and other information

Warning signs



General warning

Obligation signs



Read the operating instructions before use.



Wear protective gloves

Symbols

n_0

Rated speed
under no
load



Drilling
without
hammering



Hammer
drilling



Forward /
reverse

Location of identification data on the power tool

The type designation can be found on the type identification plate and the serial number on the side of the motor housing. Make a note of this data in your operating instructions and always refer to it when making an enquiry to your Hilti representative or service department.

Type: _____

Generation: 02 _____

Serial no.: _____

2 Safety instructions

NOTE

The safety rules in section 2.1 contain all general safety rules for electric tools which, in accordance with the applicable standards, must be listed in the operating instructions. Accordingly, some of the rules listed may not be relevant to this tool.

2.1 General power tool safety warnings

a)  **WARNING**

Read all safety warnings and instructions. Failure to follow the warnings and instructions may result in electric shock, fire and/or serious injury. **Save all warnings and instructions for future reference.** The term "power tool" in the warnings refers to your mains-operated (corded) power tool or battery-operated (cordless) power tool.

2.1.1 Work area safety

- Keep work area clean and well lit.** Cluttered or dark areas invite accidents.
- Do not operate power tools in explosive atmospheres, such as in the presence of flammable liquids, gases or dust.** Power tools create sparks which may ignite the dust or fumes.
- Keep children and bystanders away while operating a power tool.** Distractions can cause you to lose control.

2.1.2 Electrical safety

- Power tool plugs must match the outlet. Never modify the plug in any way. Do not use any adapter plugs with earthed (grounded) power tools.** Unmodified plugs and matching outlets will reduce risk of electric shock.
- Avoid body contact with earthed or grounded surfaces such as pipes, radiators, ranges and refrigerators.** There is an increased risk of electric shock if your body is earthed or grounded.
- Do not expose power tools to rain or wet conditions.** Water entering a power tool will increase the risk of electric shock.

- Do not abuse the cord. Never use the cord for carrying, pulling or unplugging the power tool. Keep cord away from heat, oil, sharp edges or moving parts.** Damaged or entangled cords increase the risk of electric shock.
- When operating a power tool outdoors, use an extension cord suitable for outdoor use.** Use of a cord suitable for outdoor use reduces the risk of electric shock.
- If operating a power tool in a damp location is unavoidable, use a residual current device (RCD) protected supply.** Use of an RCD reduces the risk of electric shock.

2.1.3 Personal safety

- Stay alert, watch what you are doing and use common sense when operating a power tool. Do not use a power tool while you are tired or under the influence of drugs, alcohol or medication.** A moment of inattention while operating power tools may result in serious personal injury.
- Use personal protective equipment. Always wear eye protection.** Protective equipment such as dust mask, non-skid safety shoes, hard hat, or hearing protection used for appropriate conditions will reduce personal injuries.
- Prevent unintentional starting. Ensure the switch is in the off-position before connecting to power source and/or battery pack, picking up or carrying the tool.** Carrying power tools with your finger on the switch or energising power tools that have the switch on invites accidents.
- Remove any adjusting key or wrench before turning the power tool on.** A wrench or a key left attached to a rotating part of the power tool may result in personal injury.
- Do not overreach. Keep proper footing and balance at all times.** This enables better control of the power tool in unexpected situations.
- Dress properly. Do not wear loose clothing or jewellery. Keep your hair, clothing and gloves**

away from moving parts. Loose clothes, jewellery or long hair can be caught in moving parts.

- g) **If devices are provided for the connection of dust extraction and collection facilities, ensure these are connected and properly used.** Use of dust collection can reduce dust-related hazards.

2.1.4 Power tool use and care

- a) **Do not force the power tool. Use the correct power tool for your application.** The correct power tool will do the job better and safer at the rate for which it was designed.
- b) **Do not use the power tool if the switch does not turn it on and off.** Any power tool that cannot be controlled with the switch is dangerous and must be repaired.
- c) **Disconnect the plug from the power source and/or the battery pack from the power tool before making any adjustments, changing accessories, or storing power tools.** Such preventive safety measures reduce the risk of starting the power tool accidentally.
- d) **Store idle power tools out of the reach of children and do not allow persons unfamiliar with the power tool or these instructions to operate the power tool.** Power tools are dangerous in the hands of untrained users.
- e) **Maintain power tools. Check for misalignment or binding of moving parts, breakage of parts and any other condition that may affect the power tool's operation. If damaged, have the power tool repaired before use.** Many accidents are caused by poorly maintained power tools.
- f) **Keep cutting tools sharp and clean.** Properly maintained cutting tools with sharp cutting edges are less likely to bind and are easier to control.
- g) **Use the power tool, accessories and tool bits etc. in accordance with these instructions, taking into account the working conditions and the work to be performed.** Use of the power tool for operations different from those intended could result in a hazardous situation.

2.1.5 Battery tool use and care

- a) **Recharge only with the charger specified by the manufacturer.** A charger that is suitable for one type of battery pack may create a risk of fire when used with another battery pack.
- b) **Use power tools only with specifically designated battery packs.** Use of any other battery packs may create a risk of injury and fire.
- c) **When battery pack is not in use, keep it away from other metal objects, like paper clips, coins, keys, nails, screws or other small metal objects, that can make a connection from one terminal to another.** Shorting the battery terminals together may cause burns or a fire.
- d) **Under abusive conditions, liquid may be ejected from the battery, avoid contact. If contact accidentally occurs, flush with water. If liquid contacts eyes, additionally seek medical help.** Liquid ejected from the battery may cause irritation or burns.

2.1.6 Service

- a) **Have your power tool serviced by a qualified repair person using only identical replacement parts.** This will ensure that the safety of the power tool is maintained.

2.2 Hammer safety warnings

- a) **Wear ear protectors.** Exposure to noise can cause hearing loss.
- b) **Use auxiliary handles, if supplied with the tool.** Loss of control can cause personal injury.
- c) **Hold power tool by insulated gripping surfaces, when performing an operation where the cutting accessory may contact hidden wiring.** Cutting accessory contacting a "live" wire may make exposed metal parts of the power tool "live" and could give the operator an electric shock.

2.3 Additional safety rules

2.3.1 Personal safety

- a) **Modification of the machine or tampering with its parts is not permissible.**
- b) **Always hold the power tool securely with both hands on the grips provided. Keep the grips dry, clean and free from oil and grease.**
- c) **Improve the blood circulation in your fingers by relaxing your hands and exercising your fingers during breaks between working.**
- d) **Avoid touching rotating parts. Switch the power tool on only after bringing it into position at the workpiece.** Touching rotating parts, especially rotating insert tools, may lead to injury.
- e) **Activate the safety lock (forward / reverse switch in the middle position) before storing or transporting the power tool.**
- f) **The appliance is not intended for use by debilitated persons who have received no special training. Keep the appliance out of reach of children.**
- g) **Dust from materials, such as paint containing lead, some wood species, concrete / masonry / stone containing silica, and minerals as well as metal, may be harmful. Contact with or inhalation of the dust may cause allergic reactions and/or respiratory or other diseases to the operator or bystanders. Certain kinds of dust are classified as carcinogenic such as oak and beech dust, especially in conjunction with additives for wood conditioning (chromate, wood preservative). Material containing asbestos must only be treated by specialists. Where the use of a dust-extraction device is possible it shall be used. To achieve a high level of dust collection, use a suitable dust extractor. When indicated wear a respirator appropriate for the type of dust generated. Ensure that the workplace is well ventilated. Follow national requirements for the materials you want to work with.**
- h) **If the work involves breaking right through, take the appropriate safety measures at the opposite side.** Parts breaking away could fall out and / or fall down and injure other persons.

- i) **Before beginning work, check the working area (e.g. using a metal detector) to ensure that no concealed electric cables or gas and water pipes are present.** External metal parts of the power tool may become live, for example, when an electric cable is damaged accidentally. This presents a serious risk of electric shock.
 - j) In accordance with the applications for which it is designed, the power tool produces a high torque. **Always use the side handle and hold the power tool with both hands.** The user must be prepared for sudden sticking and stalling of the insert tool.
 - k) **Secure the workpiece. Use clamps or a vice to secure the workpiece.** The workpiece is thus held more securely than by hand and both hands remain free to operate the power tool.
- 2.3.2 Careful use of the cordless tool**
- a) **Ensure the switch is in the off position before inserting battery pack.** Inserting the battery pack into power tools that have the switch on invites accidents.
- b) **Observe the special guidelines applicable to the transport, storage and use of Li-ion batteries.**
 - c) **Do not expose batteries to high temperatures and keep them away from fire.** This presents a risk of explosion.
 - d) **Do not disassemble, squash or incinerate batteries and do not subject them to temperatures over 80°C (176°F).** This presents a risk of fire, explosion or injury through contact with caustic substances.
 - e) **Use only batteries of the type approved for use with the applicable power tool.** Use of unapproved batteries or use of the batteries in areas of application for which they are not approved presents a risk of fire and explosion.
 - f) **Do not charge or continue to use damaged batteries (e.g. batteries with cracks, broken parts, bent or pushed-in and/or pulled-out contacts).**
 - g) **If the battery is too hot to touch it may be defective. Place the tool in a location where it can be kept under observation, well away from flammable materials, and allow it to cool down. Contact Hilti Service after the battery has cooled down.**

3 Description

3.1 Use of the product as directed

The TE 4-A18 is a hand-held, cordless rotary hammer with a safety slip clutch for hammer drilling in concrete and masonry, drilling in steel, wood and masonry and for driving and removing screws.

The TE DRS-4-A (01) dust removal module is available as an accessory to reduce dust emissions when drilling with the Hilti TE 4-A18 (02) rotary hammer.

Use only the batteries and chargers recommended by Hilti.

The power tool is designed for professional use and may be operated, serviced and maintained only by trained, authorized personnel. This personnel must be informed of any special hazards that may be encountered. The power tool and its ancillary equipment may present hazards when used incorrectly by untrained personnel or when used not as directed.

Do not use the battery as a power source for other unspecified appliances.

To avoid the risk of injury, use only genuine Hilti accessories and insert tools.

Observe the national health and safety requirements.

3.2 Standard equipment includes:

- 1 Rotary hammer with side handle and depth gauge
- 1 Operating instructions

NOTE

Accessories can be found at your Hilti Center or online at www.hilti.com.

3.3 Additional items required for operating the tool

A suitable battery of the specified type (see table in the Technical Data section) and a suitable battery charger from the C 4/36 series. For further information about battery charging, please read the operating instructions for the battery charger.

3.4 Lithium-ion battery charge status

The Li-ion battery features a charge status display. The charge status is indicated by the LEDs on the battery during charging (please refer to the operating instructions for the charger). When the battery is not in use, pressing one of the battery release buttons or inserting the battery into the power tool causes the battery charge status to be displayed by the four LEDs for three seconds.

LEDs light constantly	LEDs blink	Charge status C
LED 1, 2, 3, 4	-	$C \geq 75\%$
LED 1, 2, 3	-	$50\% \leq C < 75\%$
LED 1, 2	-	$25\% \leq C < 50\%$
LED 1	-	$10\% \leq C < 25\%$
-	LED 1	$C < 10\%$

NOTE

Indication of the charge status is not possible while the power tool is in operation or immediately after operation. If the battery charge status LEDs blink, please refer to the information given in section 9.

4 Technical data

Right of technical changes reserved.

Power tool	TE 4-A18
Rated voltage (DC voltage)	21.6 V
Weight	3.3 kg (7.28 lb)
Rated speed under no load n_0	1,090/min (1090 rpm)
Single impact energy	2.0 J
Drilling diameter range in concrete/masonry (hammer drilling)	5... 16 mm ($\frac{3}{16}$... $\frac{5}{8}$ "
Drilling diameter range in wood (solid)	3... 20 mm ($\frac{1}{8}$... $\frac{3}{4}$ "
Drilling diameter range in wood (auger bit)	Max. 14 mm ($\frac{9}{16}$ "
Drilling diameter range in metal (solid)	3... 10 mm ($\frac{1}{8}$... $\frac{3}{8}$ "

NOTE

With the B18/1.6Ah battery, performance of the tool is reduced.

Battery	B 18/5.2 Li-Ion (01)	B 18/3.3 Li-Ion	B 18/2.6 Li-Ion (02)	B 18/1.6 Li-Ion
Rated voltage	21.6 V	21.6 V	21.6 V	21.6 V
Capacity	5.2 Ah	3.3 Ah	2.6 Ah	1.6 Ah
Energy capacity	112.32 Wh	71.28 Wh	56.16 Wh	34.56 Wh
Weight	0.78 kg (1.72 lb)	0.78 kg (1.72 lb)	0.48 kg (1.06 lb)	0.48 kg (1.06 lb)

5 Operation

DANGER

Remove the battery from the power tool before making any adjustments, before changing accessories and before storing the power tool. Such preventive safety measures reduce the risk of starting the tool accidentally.

CAUTION

Before fitting the battery, check that the power tool is switched off and that the safety lock is engaged (forward/reverse switch in the middle position).

CAUTION

In the event of the drill bit sticking, the power tool will pivot about its own axis. Always use the power tool with the side handle fitted and hold it securely with both hands so that the resulting opposing force causes the slip clutch to release in the event of the drill bit sticking. Use clamps or a vice to hold the workpiece securely.

5.1 Preparing for use

CAUTION

Remove the depth gauge from the side handle and the insert tool from the chuck in order to avoid injury.

CAUTION

Wear protective gloves when changing insert tools as the insert tools get hot through use and they may have sharp edges.

5.1.1 Inserting the battery 2

CAUTION

A falling battery may present a risk of injury to yourself and others.

Check that the battery is securely seated in the tool.

5.1.2 Removing the battery 3

5.1.3 Transport and storage of batteries

CAUTION

Fire hazard. Never transport batteries in loose, bulk form. There is a risk of short circuiting.

Pull the battery out of the locked position (working position) and move it into the first latching position (transport position).

Observe national and international transport regulations when shipping batteries (transportation by road, rail, sea or air).

5.1.4 Fitting and adjusting the side handle 4

5.1.5 Fitting the insert tool 5

CAUTION

The use of unsuitable grease may cause damage to the tool. **Only use genuine grease from Hilti.**

NOTE

After fitting the drill bit, grip it and pull it in order to check that it is securely engaged.

5.1.6 Removing the insert tool 6

5.2 Operation

NOTE

The system switches itself off automatically when the battery voltage is low.

CAUTION

Working on the material may cause it to splinter. **Wear eye protection and protective gloves. Wear breathing protection if no dust removal system is used.** Splintering material presents a risk of injury to the eyes and body.

NOTE

Do not operate the function selector switch while the motor is running.

5.2.1 Function selector switch

5.2.1.1 Setting the rotary drilling only function 7

5.2.1.2 Setting the hammer drilling function 8

5.2.2 Forward / reverse

CAUTION

Do not operate the forward / reverse switch while the motor is running.

5.2.3 Fitting and adjusting the depth gauge 9

6 Care and maintenance

WARNING

Repairs to the electrical section of the power tool may be carried out only by trained electrical specialists.

6.1 Care of the power tool

CAUTION

Keep the power tool, especially its grip surfaces, clean and free from oil and grease. Do not use cleaning agents which contain silicone.

Never operate the power tool when the ventilation slots are blocked. Clean the ventilation slots carefully using a dry brush. Do not permit foreign objects to enter the interior of the power tool. Clean the outside of the power tool at regular intervals with a slightly damp cloth. Do not use a spray, steam pressure cleaning equipment or

running water for cleaning. This may negatively affect the electrical safety of the power tool.

6.2 Cleaning or replacing the dust shield

Clean the dust shield on the chuck with a dry, clean cloth at regular intervals. Clean the sealing lip by wiping it carefully and then grease it again lightly with Hilti grease. It is essential that the dust shield is replaced if the sealing lip is found to be damaged. Push the tip of a screwdriver under the edge of the dust shield and prise it out toward the front. Clean the area of the chuck in contact with dust shield and then fit a new dust shield. Press it in firmly until it engages.

6.3 Care of the Li-ion battery

NOTE

Battery performance drops at low temperatures.

NOTE

Store the battery in a cool and dry place.

In order to achieve maximum battery life, stop using the battery as soon as a significant drop in battery performance is noticed.

NOTE

- If use continues, further battery discharge will be stopped automatically before the battery cells suffer damage.
- Charge the batteries using the specified and approved Hilti battery chargers for Li-ion batteries.

en

7 Troubleshooting

Fault	Possible cause	Remedy
The power tool doesn't run and 1 LED blinks.	The battery is discharged.	Change the battery and charge the empty battery.
	The battery is too hot or too cold.	Bring the battery to the recommended working temperature.
The tool doesn't work and all 4 LEDs blink.	The power tool has been overloaded.	Release the control switch and press it again.
The power tool doesn't run.	The battery is discharged or is not pushed all the way in.	The battery must be heard to engage with a double click or, respectively, needs to be charged.
	Electrical fault.	Remove the battery from the tool and contact Hilti Service.
No hammering action.	The tool is too cold.	Bring the power tool to the operating temperature by pressing the insert tool lightly against the work surface and allowing the power tool to run briefly under no load.
	The function selector switch is set to "Drilling without hammering".	Set the function selector switch to "Hammer drilling".
	The forward/reverse switch is set to reverse rotation.	Set the forward/reverse switch to forward rotation.
The control switch can't be pressed, i.e. the switch is locked.	The forward / reverse switch is in the middle position (transport lock engaged).	Push the forward / reverse switch to the left or right.
The drive spindle doesn't rotate.	The permissible operating temperature of the power tool's electronics has been exceeded.	Allow the power tool to cool down.
	The maximum permissible battery operating temperature has been exceeded.	Bring the battery to the recommended operating temperature.
	The battery is discharged.	Change the battery and charge the empty battery.
The power tool switches itself off automatically.	The overload cut-out has been activated.	Release the control switch, reduce the load on the power tool and then press the switch again.
The battery runs down more quickly than usual.	Very low ambient temperature.	Allow the battery to warm up slowly to room temperature.
The battery doesn't engage with an audible double click.	The retaining lugs on the battery are dirty.	Clean the retaining lugs and push the battery in until it engages. Contact Hilti Service if the problem persists.
The power tool or the battery gets very hot.	Electrical fault.	Switch the power tool off immediately, remove the battery from the tool and allow it to cool down while keeping an eye on it, contact Hilti Service.

Fault	Possible cause	Remedy
The power tool or the battery gets very hot.	The power tool has been overloaded (application limits exceeded).	Use the right power tool for the job (don't use a low-powered tool for heavy work).
The insert tool can't be released.	The chuck is not pulled back fully.	Pull the chuck back as far as it will go and remove the insert tool.
The tool makes no progress.	The forward/reverse switch is set to reverse rotation.	Set the forward/reverse switch to forward rotation.
	The function selector switch is set to "Drilling without hammering".	Set the function selector switch to "Hammer drilling".

8 Disposal

CAUTION

Improper disposal of the equipment may have serious consequences: the burning of plastic components generates toxic fumes which may present a health hazard. Batteries may explode if damaged or exposed to very high temperatures, causing poisoning, burns, acid burns or environmental pollution. Careless disposal may permit unauthorized and improper use of the equipment. This may result in serious personal injury, injury to third parties and pollution of the environment.

CAUTION

Dispose of defective batteries right away. Keep them out of reach of children. Do not disassemble or incinerate the batteries.

CAUTION

Batteries that have reached the end of their life must be disposed of in accordance with national regulations or returned to Hilti.



Most of the materials from which Hilti power tools or appliances are manufactured can be recycled. The materials must be correctly separated before they can be recycled. In many countries, Hilti has already made arrangements for taking back your old power tools or appliances for recycling. Please ask your Hilti customer service department or Hilti representative for further information.

9 Manufacturer's warranty - tools

Please contact your local Hilti representative if you have questions about the warranty conditions.



Hilti Corporation

LI-9494 Schaan

Tel.: +423 / 234 21 11

Fax: +423 / 234 29 65

www.hilti.com

Hilti = registered trademark of Hilti Corp., Schaan
Pos. 3 | 20150515



2100245