



TECHNICAL HANDBOOK MT SYSTEM

Including technical data according to Eurocode 3 (EN 1993)
Version from 03.2023

MT System	1
MT Profiles	2
MT Brackets	3
MT Connectors	4
MT Base Material Connectors	5
MT Media Fixation	6
MT Accessories	7
MT Roof Top Application Portfolio	8
MT Seismic Bracing Portfolio	9

Terms of common cooperation / Legal disclaimer

The product loading capacities published in these Technical Data Sheets are only valid for the mentioned codes or technical data generation methods and the defined application conditions (e.g. ambient temperature load capacity not valid in case of fire, data not valid in support structures when mixed with third party products), assuming sufficient fastener, base material and building structure strength. Additional calculations, checks and releases by the responsible structural engineer might be needed to clarify the capacity of base material and building structure. Suitability of structures combining different products for specific applications needs to be verified by conducting a system design and calculation, using for example Hilti PROFIS software.

In addition, it is crucial to fully respect the Instructions for Use and to assure clean, unaltered and undamaged state of all products at any time in order to achieve this loading capacity (e.g. misuse, modification, overload, corrosion). As products but also technical data generation methodologies evolve over time, technical data might change at any time without prior notice. We recommend to use the latest technical data sheets published by Hilti.

In any case the suitability of structures combining different products for specific applications need to be checked and cleared by an expert, particularly with regard to compliance with applicable norms and permits, prior to using them for any specific facility. This book only serves as an aid to interpret the suitability of structures combining different products for specific applications without any guarantee as to the absence of errors, the correctness and the relevance of the results or suitability for a specific application. User must take all necessary and reasonable steps to prevent or limit damage. The suitability of structures combining different products for specific applications are only recommendations that need to be confirmed with a professional designer and/or structural engineers to ensure compliance with User's specific jurisdiction and project requirements.

Technical Notes

Technical Notes 8–11

1 MT System

1.1 MT Open C-channels (Struts) Fixation 12–17
1.2 Closed Profile Fixation 18

2 MT Profiles

2.1 MT Trapeze Profiles 19–21
2.2 MT Open C-channels (Struts) 22–25
2.3 MT Double C-channels (B2B Struts) 26–27
2.4 MT Closed Profiles 28–29
2.5 MT Profiles Technical Data 30–47

3 MT Brackets

3.1 MT Brackets 48–51

4 MT Connectors

4.1 MT Open C-channel (Strut) Connectors 52–90
4.2 MT Closed Profiles Connectors 91–122

5 MT Base Material Connectors

5.1 MT Open C-channel (Strut) Base Material Connectors 123–139
5.2 MT Closed Profiles Base Material Connectors 140–162

6 MT Media Fixation

6.1 MT Media Fixation For Open C-channels (Struts) 163–172
6.2 MT Media Fixation For Closed Profiles 173–184

7 MT Accessories

7.1 MT Profile End Caps 185–190
7.2 MT Profile Rubber Inlays 191–192

8 MT Roof Top Application Portfolio

8.1 MT Roof Top Application Portfolio 193–198

9 MT Seismic Bracing Portfolio

9.1 Seismic Bracing Portfolio 199–215

ONE SYSTEM, COUNTLESS SCENARIOS

Easy to design and simple to assemble, Hilti's MT system is the only answer you'll ever need for virtually all your installation support structures. Whether you are planning MEP installations such as pipe and cable tray supports, or access platforms and integrated floors for energy and industry projects: The versatile and lightweight solution covers almost all loading scenarios and allows for highly efficient installation.

DO MORE WITH LESS

Hilti MT is ideally suited for both light utilities such as air ducts and communication cables, as well as for cable trays and heavy cable ladders. It even fits for larger non-critical piping and heavier mechanical equipment.

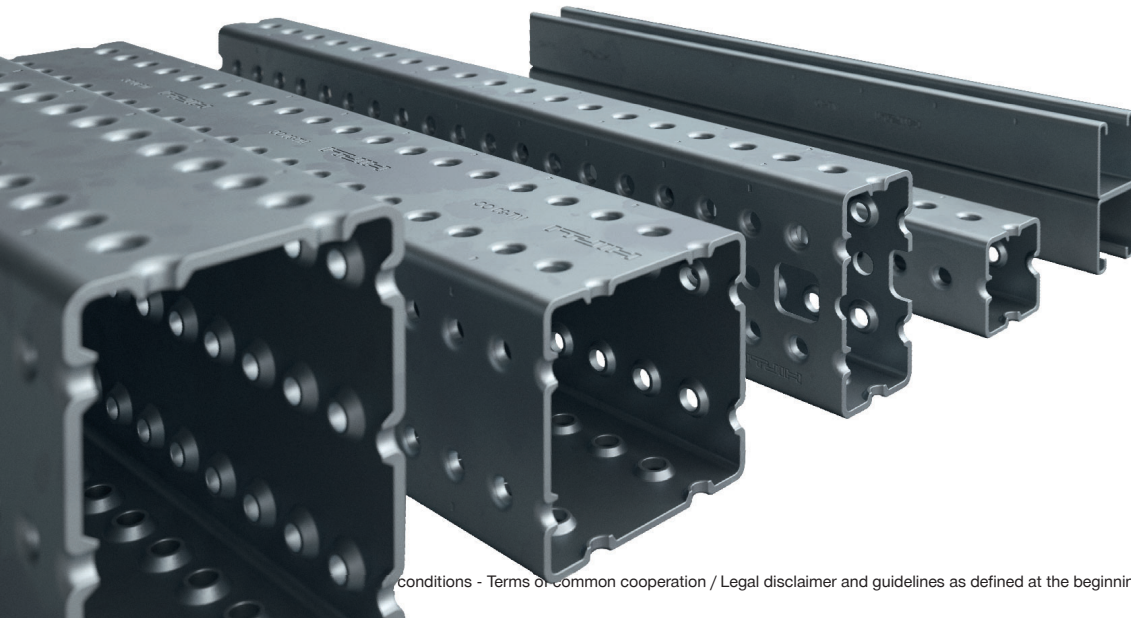
As a result, planning, managing, and assembling metal framing and support structures is easier than ever. With Hilti MT, you can seamlessly and simply

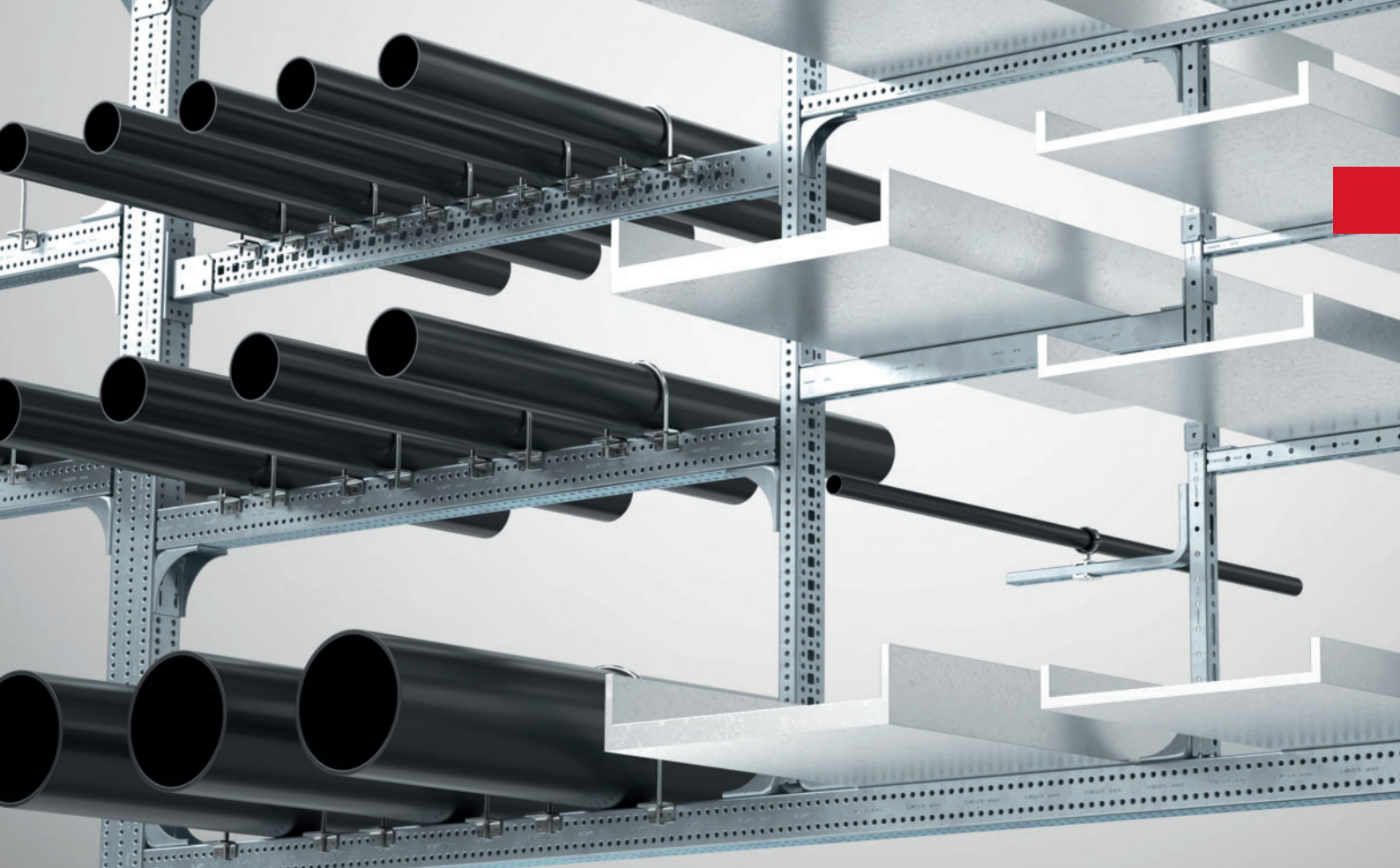
combine all your MEP utilities in a single support structure that has been engineered for optimal efficiency.

The Hilti MT system features cross compatibility and interchangeability, enabling cost-optimized solutions. All components and baseplates complement the range of profiles, ensuring the whole installation can be realized with the same system.

DESIGN WITH EASE

A large portfolio consisting of trapeze profiles, C-channels (struts), and closed profiles (girders) allows for easy design, even of complex multi-trade support installations. And on top, Hilti MT features direct girder-on-girder connectivity as well as direct fixation of profiles to girders. Furthermore, some connectors are compatible with both strut C-channels and closed profiles (girders).





ALWAYS THE RIGHT ONE

Installation of Hilti MT is intuitive, fast, and safe. It features a simple and robust bolting mechanism to minimize installation errors. All closed profile connections can be fixed with the same single bolt – the Thread Forming Bolt (MT-TFB). A mix-up of wrong bolts in a given fixation combination becomes a thing of the past.

One-handed

Hilti MT allows for installation with one hand. Access to the reverse side of the structure as well as nuts or complex fixation elements are no longer needed.

Flexible

Releasing, repositioning, and subsequent retorquing of fixations is fully enabled. This maintains the full flexibility of modular systems.

Cost-effective

The variety of needed connectors is reduced, which minimizes complexity and cost of stock management. Fixation of elements can be accomplished by just one version of a simple bolt.

Productive and safe

The Hilti SIW-AT impact wrench with Adaptive Torque System sets bolts consistently and fast with the ideal tightness.

The essence of simplicity

Hilti MT-TFB Thread Forming Bolts securely connect to closed profiles (girders) without the need for nuts or washers. During installation, a robust thread is formed within the girder dome. This reduces the risk of thread stripping to a minimum.



DESIGNED TO PERFORM, AND TO LAST

Hilti MT provides the latest innovation in strut C-Channel connectivity, making the system as flexible as never before. Moreover, the whole system features cutting-edge corrosion resistance for both indoor and outdoor exposure.

SERRATION ON THE SPOT

Hilti MT-TL Twist-Lock channel nuts in effect create their own serration during torquing. This marks the first truly seamless strut C-Channel fixation method with shear capacity.

Universal

Serration is created on the spot, thus eliminating the need for preformed serrations in the channel. Known restrictions of positioning steps (typically 2 mm) due to serrations become obsolete.

Adjustable

Releasing, repositioning, and subsequent retorquing of elements fixed with MT-TL remains fully enabled.

Reliable

Mechanical connection of the MT-TL is realized without reliance on friction, thus providing the required shear capacity for strut C-Channel connections.

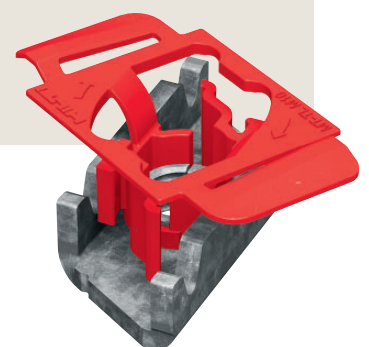
Fast and easy

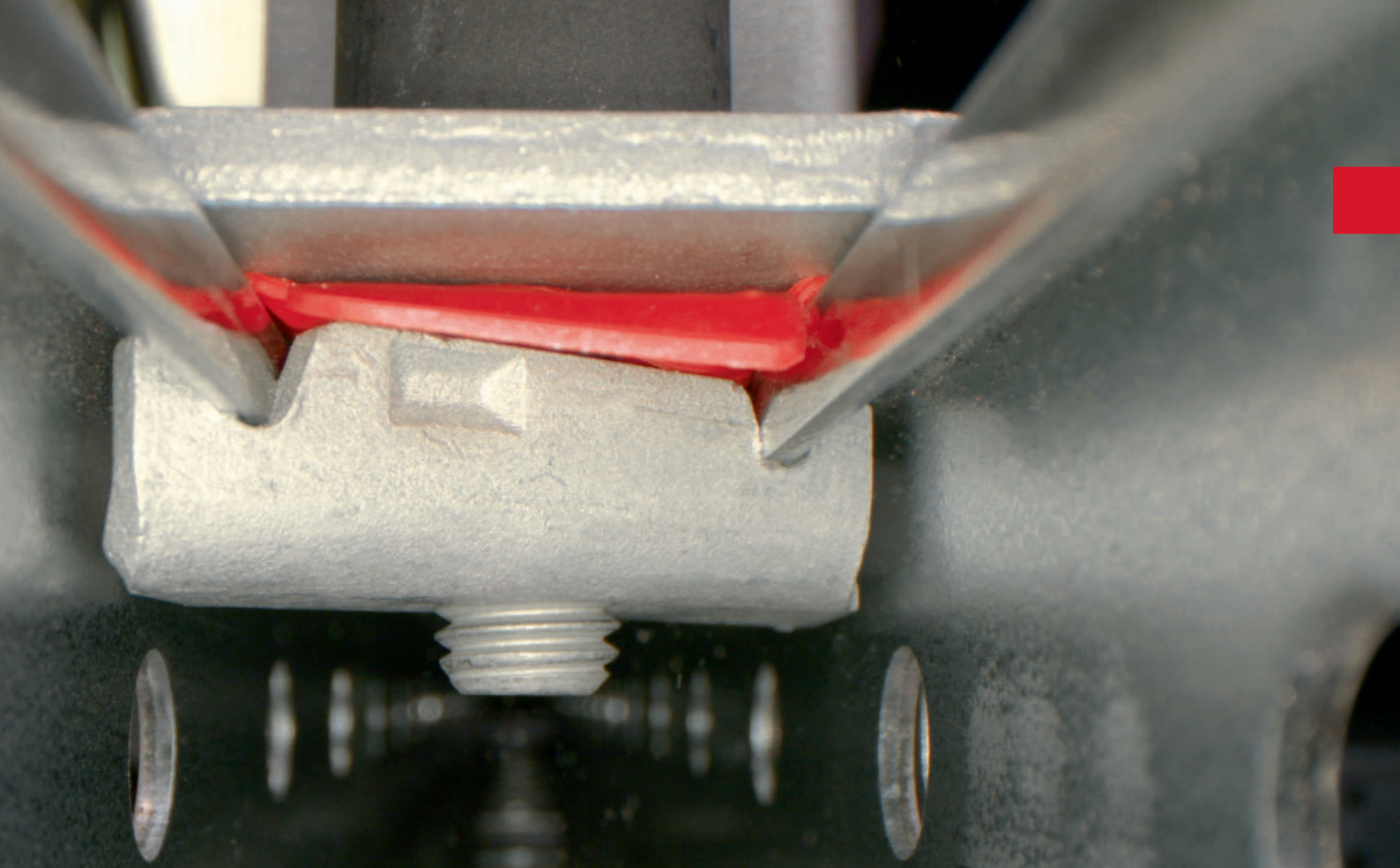
During installation, connection elements can be intuitively positioned and locked in place.

Innovative Twist-Lock

Hilti MT-TL channel nuts can be easily installed with a one-handed “twist and lock” in position. A groove is cut into the channel allowing for rapid and highly accurate placement of components.

During installation, Hilti Twist-Locks do not slip before final-torquing and can even be repositioned later.





CORROSION PROTECTION WITHOUT COMPROMISES

The Hilti MT system makes use of the most innovative technologies in corrosion protection and is designed to last in indoor and low to moderate pollution outdoor environmental conditions.

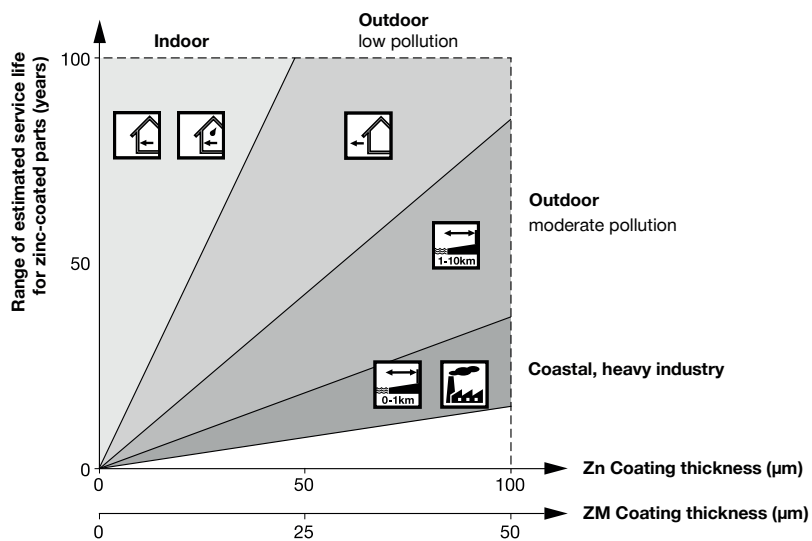
Right for every condition

For indoor usage, Hilti's established high-quality protection is used: Profiles are sendzimir galvanized, connectors and baseplates are zinc electroplated.

Solutions designed for outdoor use combine hot-dip galvanization for components (such as connectors and baseplates) and zinc-magnesium galvanization (ZM technology) for profiles. ZM profiles conform to the ASTM A1046 and EN 10346 standards.

Breakthrough coating technology

Zinc Magnesium (ZM) technology represents the leading edge of corrosion protection. It combines robustness and longevity with increased environmental friendliness and optimizes costs.



EVALUATIONS OF TECHNICAL DATA

Technical data herein is based on analytical calculations, finite element analysis or laboratory testing based on the provisions of Eurocodes EN 1990 and EN 1993.

Analytical Calculations

Analytical calculations for the design of joints as per EN 1993-1-8 are considered for the connector base material as well as bolted and welded connections.

Finite Element Analysis

In line with EN 1993-1-5, finite element analysis is an established alternative method for obtaining resistance data. Such analyses with shell and/or solid finite element models are performed to derive technical data for connector components contained herein. State-of-the-art software and modelling technics considering geometrical and material non-linearities as per EN 1993-1-5 are applied. The final resistance data herein considers the serviceability limit state (deformation) as well as the ultimate limit state (stress/strain and stability).

Testing

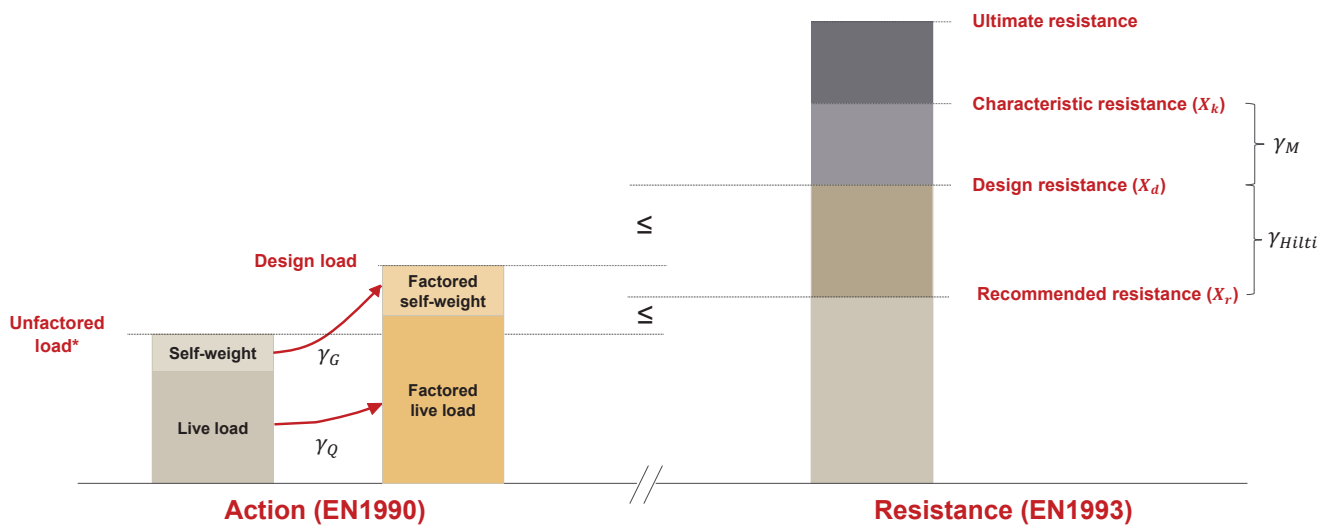
Structural performance via testing and evaluation is required when the strength of an element, connection, or assembly cannot be determined per the provisions of the Eurocode EN 1993. Moreover, they are performed to calibrate and validate finite element analysis and typically set the basis for connector load data in the most application relevant load directions. The assessment of laboratory tests is following the boundary conditions and statistical rules of EN 1990 Annex D.

SAFETY CONCEPT

On design and recommended resistance

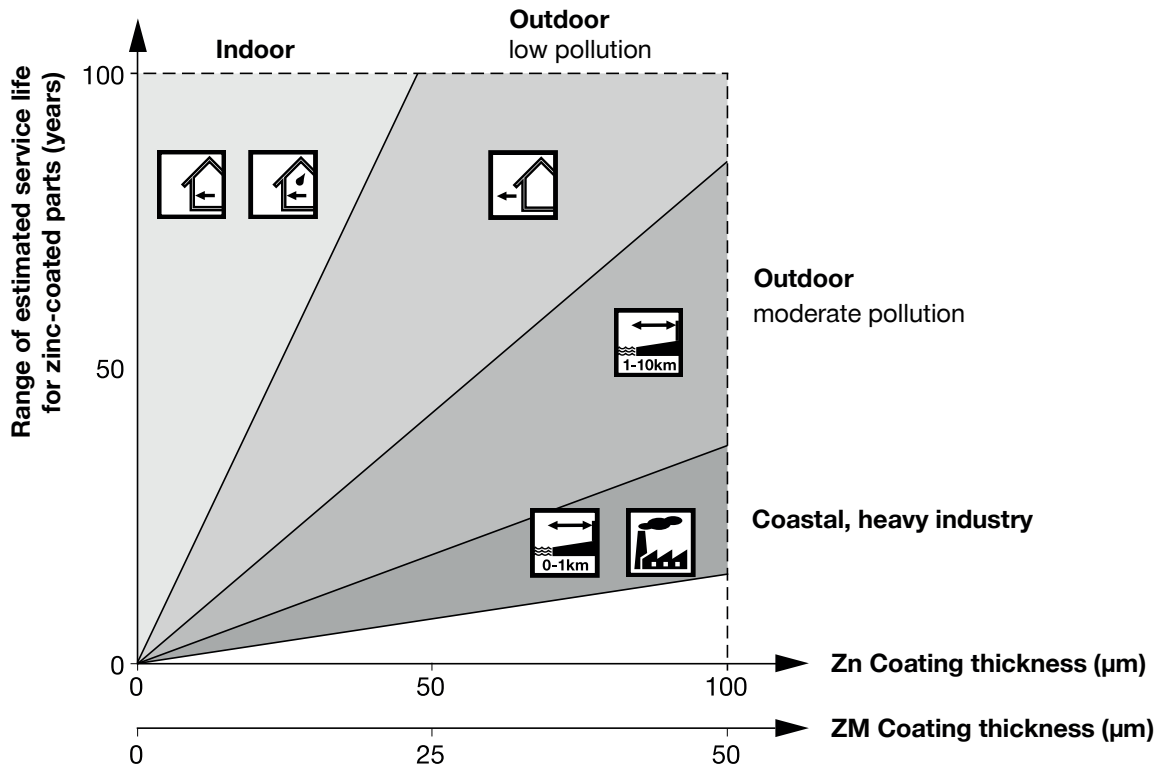
- The design resistance of the products (X_d) in this document is defined in accordance with EN1993
 - EN1993 partial safety factors for resistance (γ_M) are included
 - Deformation limit is considered when defining the resistance
- All the resistances stated in this document are recommended values (X_r)**
 - Recommended values are always calculated from the design load via a Hilti concept safety factor (γ_{Hilti})

$$X_r = \frac{X_d}{\gamma_{Hilti}}$$
 - γ_{Hilti} includes the action partial safety factors, as per EN1990. This is a HILTI concept
 - The value of γ_{Hilti} can vary from one part to another. It can be 1.4 or 1.5.
- From the chart below it is noted that the comparison of "Recommended resistance" shall always be made with „Unfactored load*", and "Design resistance" with "Design load"



* It is noted that in EN1990 this is defined as «Characteristic load», i.e., the main representative value of a load. To enable an easier understanding of Hilti's safety concept, it is renamed to «Unfactored load» to highlight that it means weight of applied load without partial safety factors applied on top.

GENERAL INFORMATION TO CORROSION PROTECTION



HILTI CORROSION RESISTANCE

Hilti Corrosion Resistance	INDOOR COATED	OUTDOOR COATED	OUTDOOR PLUS
Corrosion class/ min. lifetime	C1 > 50 years C2 > 20 years	C3 > 25 years C4 > 15 years	C5 > 15 years (ask expert)
Corrosion environment	low-moderate	moderate-high	high-extreme

Hilti's installation systems are supplied in various coating technologies to meet the requirements in all conditions:

Hilti System	Indoor coated		Outdoor coated		Outdoor Plus	
	Zn	HDG Zn	HDG ZM	S A2	S A4	
MT-Profiles	X		X			
MT-Components	X	X				

The typical lifetime expectancy of Hilti's installation systems is shown in the table below:

Installation systems	Channel system	Indoor coated	Outdoor coated		Outdoor Plus	
		MT, MQ, MM, MC	MT-OC, MQ-F, MQ ASTM, MC-OC, MI, MIQ		MQ system stainless A2/ AISI 304	MQ system stainless A4/ AISI 316
	Pipe fastening	Indoor pipe rings ¹	HDG pipe rings ²	MI-UB, MI-PS	Stainless pipe rings ³	
Environmental conditions		lifetime (in years)				
	Dry indoor	50-100		100	■	■
	Indoor with temporary condensation	25-70		50-100	■	■
	Outdoor with low pollution	5-10		25-70	■	■
	Outdoor with moderate concentration of pollutants	-		15-40	■	■
	Coastal areas	-		5-20	-	■
	Outdoor, areas with heavy industrial pollution	-		5-20	-	■
	Close proximity to roads	-		-	-	■
	Special applications	Consult experts				

■ = expected lifetime of an installation system made from this material is typically satisfactory in the specified environment based on the typically expected lifetime of a building.

¹ Indoor pipe rings: MP-H, MP-HI, MP-LH, MP-LHI, MPN, MP-MI, MP-MIS, MP-M, MP-MXI, MP-MX, MP-PI, SDC, MP-SP

² HDG pipe rings: MP-MI-F, MP-M-F, MP-MXI-F, MP-MX-F

³ Stainless pipe rings: MP-SRN, MP-SRNI, MP-MR, MP-MRI, MP-MRXI

MT-TL Twist-Lock Channel Nut

Nut for attaching media to MT open C-channels (struts)



Applications

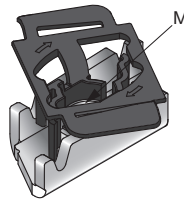
- Connecting all compatible hardware to MT strut channels
- Assembling shear-resistant metal framing for MEP support structures using MT strut channels (M10 version only)
- Suitable for use in dry, indoor environments

Advantages

- Part of the Hilti MT system – an economical, all-in-one solution for virtually all modular MEP support structures
- High shear and pull-out resistance provided by a reliable mechanical fixation to the channel flanges
- Easy to install – insert into strut channel using a one-handed “push-and-twist” motion
- Adaptable – unlike welding, Twist-Locks allow you to modify strut channel framing during installation and for future MEP requirements
- Compatible with MT System strut channels – no need for serrations on the channel flanges
- Compatible with the Hilti Adaptive Torque system – use a cordless impact wrench to quickly tighten nuts to the correct pretension (compatible tool and SI-AT module required)

MT-TL Twist-Lock Channel Nut M6 / M8 / M10 / M12 / M16 / 1/2 / 3/8

Order Designation	Technical data	Sales pack quantity	Item number
MT-TL M6	Dry indoor conditions (C1) Indoor with temporary condensation (C2)	50 pc	2343283
MT-TL M8		30 pc	2273630
MT-TL M10		30 pc	2272080
MT-TL M12		30 pc	2273632
MT-TL M16		30 pc	2273634
MT-TL 1/2		30 pc	2273638
MT-TL 3/8		50 pc	2273636



MT-TL OC Twist-Lock Channel Nut

Nut for attaching media to open C-channel (struts) - outdoor



Applications

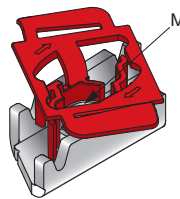
- Connecting all compatible hardware to MT strut channels
- Assembling shear-resistant metal framing for MEP support structures using MT strut channels (M10 version only)
- Suitable for use in moderately corrosive environments

Advantages

- Part of the Hilti MT system – an economical, all-in-one solution for virtually all modular MEP support structures
- High shear and pull-out resistance provided by a reliable mechanical fixation to the channel flanges
- Easy to install – insert into strut channel using a one-handed “push-and-twist” motion
- Adaptable – unlike welding, Twist-Locks allow you to modify strut channel framing during installation and for future MEP requirements
- Compatible with MT System strut channels – no need for serrations on the channel flanges
- Compatible with the Hilti Adaptive Torque system – use a cordless impact wrench to quickly tighten nuts to the correct pretension (compatible tool and SI-AT module required)

MT-TL Twist-Lock Channel Nut - Outdoor M6 / M8 / M10 / M12 / M16 / 1/2 / 3/8 OC

Order Designation	Technical data	Sales pack quantity	Item number
MT-TL M6 OC	Outdoor, low to moderate pollution (C3 / C4 - low)	50 pc	2343284
MT-TL M8 OC		30 pc	2273631
MT-TL M10 OC		30 pc	2272082
MT-TL M12 OC		30 pc	2273633
MT-TL M16 OC		30 pc	2273635
MT-TL 1/2 OC		30 pc	2273639
MT-TL 3/8 OC		50 pc	2273637



MT-TL Twist-Lock Channel Nut

1

Operation instruction

MT-TL M8 / MT-TL M8 OC / MT-TL 3/8" / MT-TL 3/8" OC / MT-TL M10 / MT-TL M10 OC

2311342-07_2022

	A	B
MT-TL M8	30 Nm	10 Nm
MT-TL M8 OC		
MT-TL 3/8"	40 Nm (30 ft-lb)	20 Nm (15 ft-lb)
MT-TL 3/8" OC		
MT-TL M10	30 Nm	15 Nm
MT-TL M10 OC	40 Nm	25 Nm

The latest IFU (Instruction For Use) is available on Hilti Online. Please check for any revisions before installing the product.

MT-TL M10 / MT-ML M10 OC

t		L
3 - 6 mm	MT-TLB	24 mm
6 - 8 mm	MT-TLB 30	30 mm

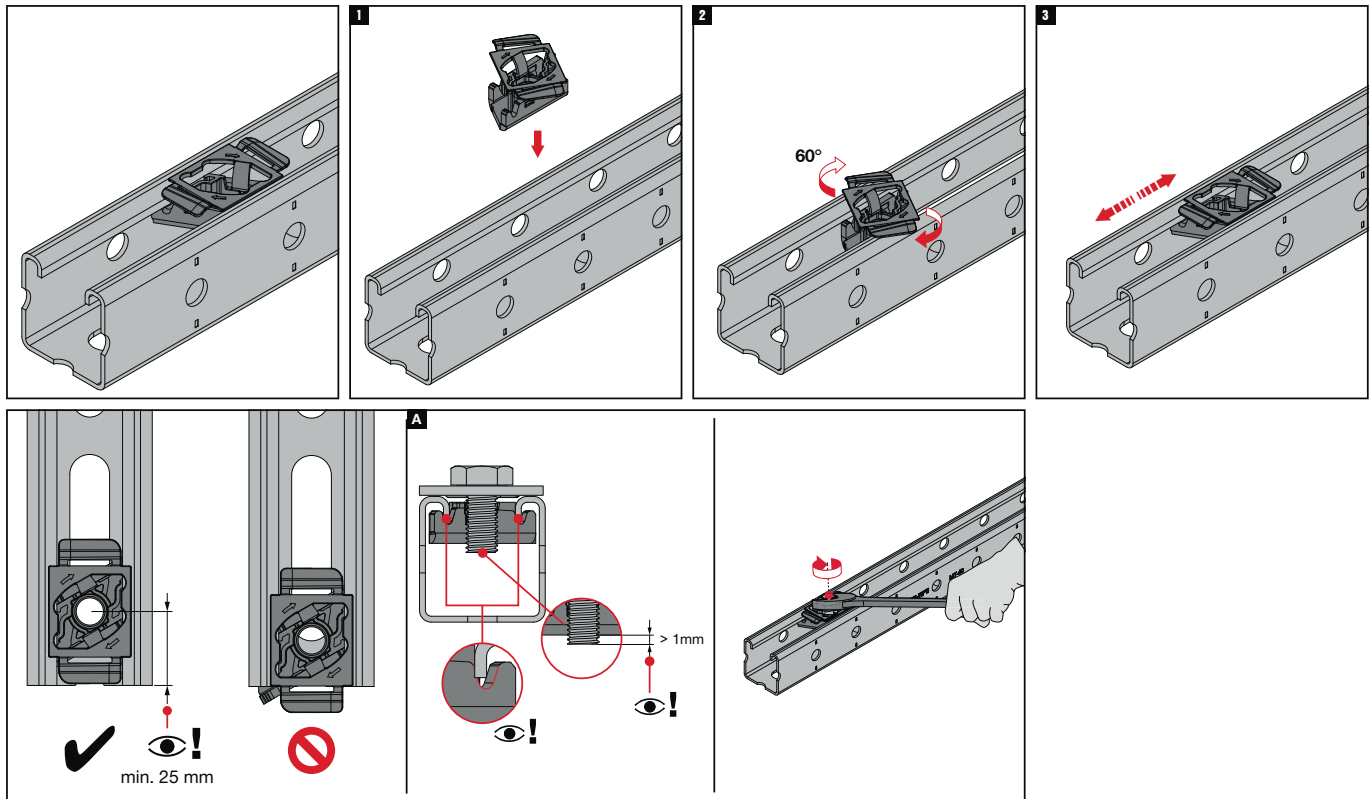
MT-TL M10	MT-TLB / MT-TLB 30	30 Nm (22 ft-lb)	SI-AT-A22 SI-AT-22
MT-TL M10 OC	MT-TLB OC / MT-TLB 30 OC	40 Nm (30 ft-lb)	SI-AT-A22 SI-AT-22

The latest IFU (Instruction For Use) is available on Hilti Online. Please check for any revisions before installing the product.

MT-TL Twist-Lock Channel Nut

Operation instruction MT-TL M6 / MT-TL M6 OC

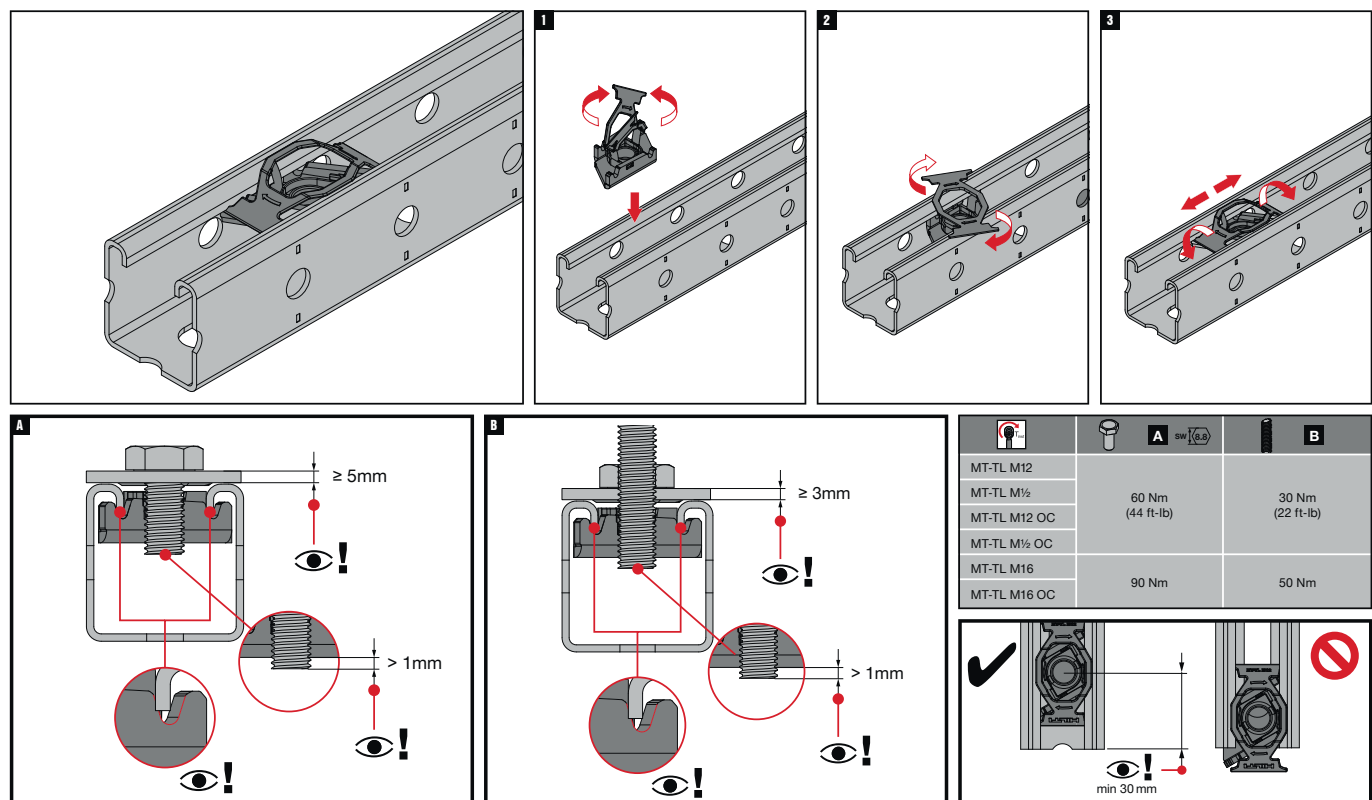
2350093-11.2021



The latest IFU (Instruction For Use) is available on Hilti Online. Please check for any revisions before installing the product.

MT-TL M12 OC / MT-TL M16 OC / MT-TL M1/2" OC

2298187-06.2021



The latest IFU (Instruction For Use) is available on Hilti Online. Please check for any revisions before installing the product.

MT-TLB Twist-Lock Bolt

Hexagon-head bolt for use with Twist-Locks when assembling open C-channel (strut) structures

1



Advantages

- Easy to install – compatible with the Hilti MT Twist-Lock, a faster alternative to spring nuts for assembling a modular support system
- Compatible with the Hilti Adaptive Torque system – use a cordless impact wrench to quickly tighten bolts to the correct pretension (compatible tool and SI-AT module required)

Applications

- Connecting all compatible hardware to MT C-channel (strut)
- Assembling shear-resistant metal framing for MEP support structures using MT strut channels
- Suitable for use in dry, indoor environments

Technical data

Material composition	ISO 898-1 8.8
Surface finish	Indoor Coated - Electro Galvanized

MT-TLB Twist-Lock Bolt

Order Designation	Technical data	Sales pack quantity	Item number	
MT-TLB	Dry indoor conditions (C1) Indoor with temporary condensation (C2)	200 pc	2273254	

MT-TLB OC Twist-Lock Bolt - Outdoor

Hexagon bolt for use with Twist-Locks when assembling open C-channel (strut) structures (struts) for outdoor use with low pollution



Advantages

- Easy to install – compatible with the Hilti MT Twist-Lock, a faster alternative to spring nuts for assembling a modular support system
- Compatible with the Hilti Adaptive Torque system – use a cordless impact wrench to quickly tighten bolts to the correct pretension (compatible tool and SI-AT module required)

Applications

- Connecting all compatible hardware to MT C-channel (strut)
- Assembling shear-resistant metal framing for MEP support structures using MT strut channels
- Suitable for use in moderately corrosive environments

Technical data

Material composition	ISO 898-1 8.8
Surface finish	Multi-layer coating, designed for corrosion environment category C3 according ISO 9223

MT-TLB OC Twist-Lock Bolt - Outdoor

Order Designation	Technical data	Sales pack quantity	Item number	
MT-TLB OC	Outdoor, low to moderate pollution (C3 / C4 - low)	200 pc	2273256	

MT-TFB OC Thread Forming Bolt

Thread-forming bolt for use when assembling MT closed profile structures

1



Applications

- Connecting all compatible hardware to MT closed profiles
- Assembling metal framing for MEP support structures by fixing compatible MT connectors
- Direct attachment of MT profiles and channels to MT closed profiles, or any MT closed profile to MT-80

Advantages

- Part of the Hilti MT system – an economical, all-in-one solution for virtually all modular MEP support structures
- One-step installation – no nut required
- Compatible with the Hilti Adaptive Torque system – use a cordless impact wrench to quickly tighten bolts to the correct pretension (compatible tool and SI-AT module required)
- Versatile – suitable for all MT girders and connection hardware

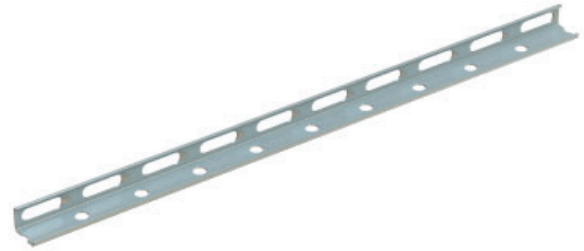
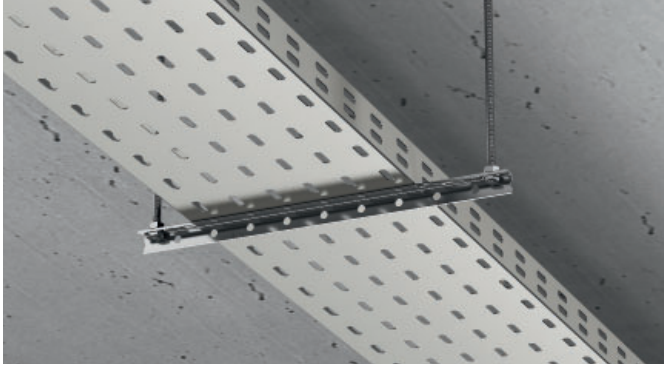
Technical data

Material composition	High Strength Steel
Surface finish	Outdoor Coated - Multilayer

MT-TFB OC Thread Forming Bolt - Outdoor

Order Designation	Technical data	Sales pack quantity	Item number	
MT-TFB OC	Outdoor, low to moderate pollution (C3 / C4 - low)	250 pc	2272084	

MT Trapeze Profiles



Applications

- Strut trapeze to support pipes, ducts and cable trays in dry, indoor environments
- Suitable for use in dry, indoor environments

Technical data

Material composition	S280GD or better steel
Surface finish	Indoor Coated - Pre-galvanized (Z275)

Advantages

- Economical – high load/weight ratio and rapid assembly make MT trapeze profile a more efficient alternative to welded MEP support structures
- Complexity kept to the minimum – optimizing logistical and on-site operations, as well as providing simplicity in installation
- Economical solution for simple threaded rod trapeze frames
- Fully compatible with the MT System – direct mounting on MT girders possible

MT-10 Trapeze Profile

Order Designation	Technical data	Sales pack quantity	Item number	
MT-10	Dry indoor conditions (C1) Indoor with temporary condensation (C2)	1x 2 m	2268492	
MT-10 S		1x 3 m	2360728	

MT-15 Trapeze Profile

Order Designation	Technical data	Sales pack quantity	Item number	
MT-15	Dry indoor conditions (C1) Indoor with temporary condensation (C2)	1x 2 m	2268493	
MT-15 S		1x 3 m	2360729	

MT-20 Trapeze Profile

Order Designation	Technical data	Sales package quantity	Item number	
MT-20	Dry indoor conditions (C1) Indoor with temporary condensation (C2)	1x 2 m	2268495	
MT-20 S		1x 3m	2360921	

MT-40 T Trapeze Profile

Order Designation	Technical data	Sales package quantity	Item number	
MT-40 T S	Dry indoor conditions (C1) Indoor with temporary condensation (C2)	1x 3 m	2360923	
MT-40 T		1x 6 m	2268502	

MT Trapeze Profiles - Outdoor



Applications

- Strut trapeze to support pipes, ducts and cable trays
- Suitable for use in moderately corrosive environments

Advantages

- Economical – high load/weight ratio and rapid assembly make MT strut channel a more efficient alternative to welded MEP support structures
- Complexity kept to the minimum – optimizing logistical and on-site operations, as well as providing simplicity in installation
- Economical solution for threaded rod trapeze frames

Technical data

Material composition	S280GD or better
Surface finish	Zinc-Magnesium (ZM310)- for outdoor use

MT-15 OC Trapeze Profile - Outdoor

Order Designations	Technical data	Sales pack quantity	Item number	
MT-15 OC	Outdoor, low to moderate pollution (C3 / C4 - low)	1x 2 m	2268494	
MT-15 S OC		1x 3 m	2360920	

MT-20 OC Trapeze Profile - Outdoor

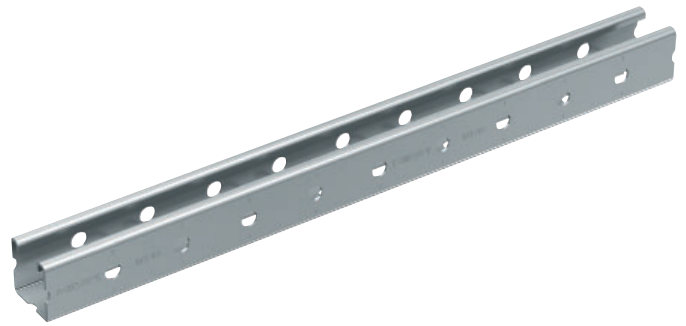
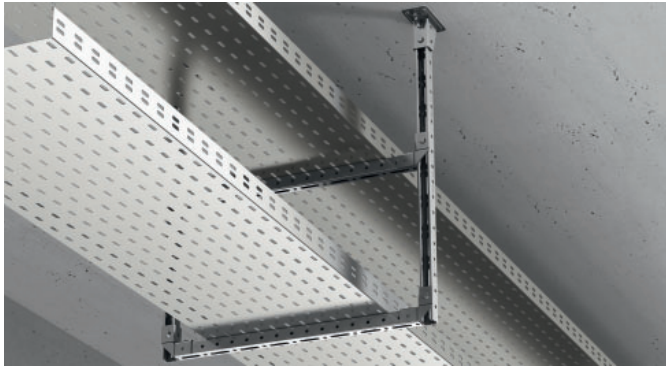
Order Designation	Technical data	Sales pack quantity	Item number	
MT-20 OC	Outdoor, low to moderate pollution (C3 / C4 - low)	1x 2 m	2268496	
MT-20 S OC		1x 3 m	2360922	

MT-40 T OC Trapeze Profile - Outdoor

Order Designation	Technical data	Sales pack quantity	Item number	
MT-40 T S OC	Outdoor, low to moderate pollution (C3 / C4 - low)	1x 3 m	2360924	
MT-40 T OC		1x 6 m	2268504	

MT Open C-channels (Struts)

2



Applications

- Floor-mounted MEP support structures with lighter loads and limited spans, such as goal post-type strut framing
- Ceiling-mounted MEP support structures with lighter loads and limited spans, such as suspended strut trapeze frames
- Wall-mounted cantilever brackets for smaller pipes, ducts and cables

Advantages

- Economical – high load/weight ratio and rapid assembly make MT strut channel a more efficient alternative to welded MEP support structures
- Complexity kept to the minimum – optimizing logistical and on-site operations, as well as providing simplicity in installation
- Simpler to design – you can use Hilti MT components for all MEP installations from the lightest trapeze to the heaviest-duty modular framing
- Simpler to install – compatible with the innovative MT System Twist-Lock, enabling the use of a wide range of MT connectors and baseplates

Technical data

Material composition	S280GD or better steel
Surface finish	Indoor Coated - Pre-galvanized (Z275)

MT-30 Open C-channel (Strut)

Order Designation	Technical data	Sales pack quantity	Item number	
MT-30 S	Dry indoor conditions (C1) Indoor with temporary condensation (C2)	1x 3 m	2268497	
MT-30		1x 6 m	2268498	

MT Open C-channels (Struts)

MT-40 Open C-channel (Strut)

Order Designation	Technical data	Sales pack quantity	Item number	
MT-40 S	Dry indoor conditions (C1) Indoor with temporary condensation (C2)	1x 3 m	2268505	
MT-40		1x 6 m	2268506	

MT-50 Open Channel (Strut)

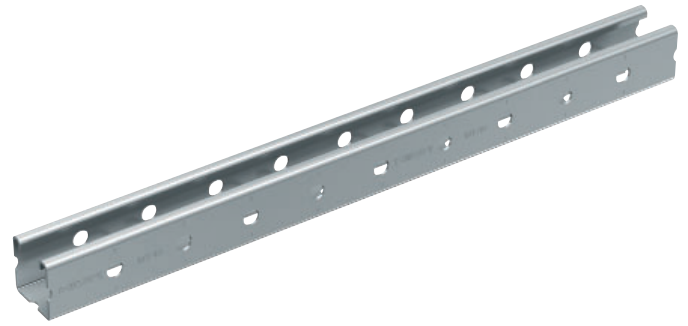
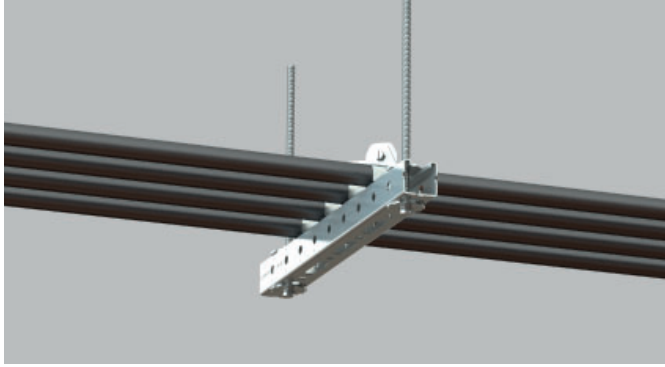
Order Designation	Technical data	Sales pack quantity	Item number	
MT-50 S	Dry indoor conditions (C1) Indoor with temporary condensation (C2)	1x 3 m	2268509	
MT-50		1x 6 m	2268510	

MT-60 Open C-channel (Strut)

Order Designation	Technical data	Sales pack quantity	Item number	
MT-60 S	Dry indoor conditions (C1) Indoor with temporary condensation (C2)	1x 3 m	2268513	
MT-60		1x 6 m	2268514	

MT Open C-channels (Struts) - Outdoor

2



Applications

- Floor-mounted MEP support structures with lighter loads and limited spans, such as goal post-type strut framing
- Ceiling-mounted MEP support structures with lighter loads and limited spans, such as suspended strut trapeze frames
- Wall-mounted cantilever brackets for smaller pipes, ducts and cables

Advantages

- Economical – high load/weight ratio and rapid assembly make MT strut channel a more efficient alternative to welded MEP support structures
- Complexity kept to the minimum – optimizing logistical and on-site operations, as well as providing simplicity in installation
- Simpler to design – you can use Hilti MT components for all MEP installations from the lightest trapeze to the heaviest-duty modular framing
- Simpler to install – compatible with the innovative MT System Twist-Lock, enabling the use of a wide range of MT connectors and baseplates

Technical data

Material composition	S280GD or better steel
Surface finish	Zinc-Magnesium (ZM310)- for outdoor use

MT-30 Open C-channel (Strut) - Outdoor

Order Designation	Technical data	Sales pack quantity	Item number	
MT-30 S OC	Outdoor, low to moderate pollution (C3 / C4 - low)	1x 3 m	2268499	
MT-30 OC		1x 6 m	2268500	

MT Open C-channels (Struts) - Outdoor

MT-40 Open C-channel (Strut) - Outdoor

Order Designation	Technical data	Sales pack quantity	Item number	
MT-40 S OC	Outdoor, low to moderate pollution (C3 / C4 - low)	1x 3 m	2268507	
MT-40 OC		1x 6 m	2268508	

MT-50 Open C-channel (Strut) - Outdoor

Order Designation	Technical data	Sales pack quantity	Item number	
MT-50 S OC	Outdoor, low to moderate pollution (C3 / C4 - low)	1x 3 m	2268511	
MT-50 OC		1x 6 m	2268512	

MT-60 Open C-channel (Strut) - Outdoor

Order Designation	Technical data	Sales pack quantity	Item number	
MT-60 S OC	Outdoor, low to moderate pollution (C3 / C4 - low)	1x 3 m	2268515	
MT-60 OC		1x 6 m	2268516	

MT Double C-channel (B2B Strut)

2



Applications

- Floor-mounted MEP support structures, such as goal post-type strut framing
- Ceiling-mounted MEP support structures, such as suspended strut trapeze frames
- Wall-mounted cantilever brackets for heavier pipes

Advantages

- Economical – high load/weight ratio and rapid assembly make MT strut channel a more efficient alternative to welded MEP support structures
- Complexity kept to the minimum – optimizing logistical and on-site operations, as well as providing simplicity in installation
- Simpler to design – you can use Hilti MT components for all MEP installations from the lightest trapeze to the heaviest-duty modular framing
- Simpler to install – compatible with the innovative MT System Twist-Lock, enabling the use of a wide range of MT connectors and baseplates

Technical data

Material composition	S280 or better steel
Surface finish	Indoor Coated - Pre-galvanized (Z275)

MT Double C-channel (B2B Strut)

Order Designation	Technical data	Sales pack quantity	Item number	
MT-40D S	Dry indoor conditions (C1) Indoor with temporary condensation (C2)	1 x 3 m	2268517	
MT-40D		1 x 6 m	2268518	

MT Open Double C-channel (B2B Strut) - Outdoor



Applications

- Floor-mounted MEP support structures, such as goal post-type strut framing
- Ceiling-mounted MEP support structures, such as suspended strut trapeze frames
- Wall-mounted cantilever brackets for heavier pipes

Technical data

Material composition	S280 or better steel
Surface finish	Zinc-Magnesium (ZM310) - for outdoor use

Advantages

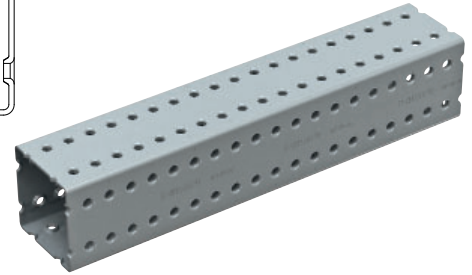
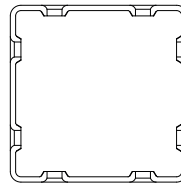
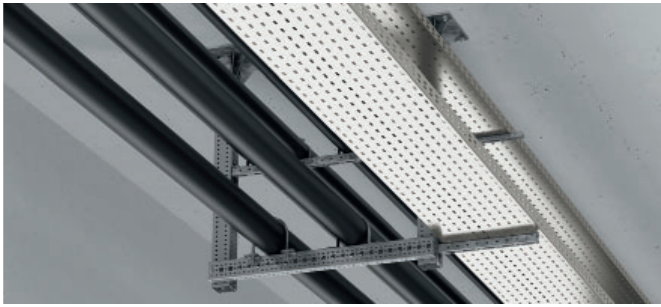
- Economical – high load/weight ratio and rapid assembly make MT strut channel a more efficient alternative to welded MEP support structures
- Complexity kept to the minimum – optimizing logistical and on-site operations, as well as providing simplicity in installation
- Simpler to design – you can use Hilti MT components for all MEP installations from the lightest trapeze to the heaviest-duty modular framing
- Simpler to install – compatible with the innovative MT System Twist-Lock, enabling the use of a wide range of MT connectors and baseplates

MT-40 Open Double C-channel (B2B Strut) - Outdoor

Order Designation	Technical data	Sales pack quantity	Item number	
MT-40D S OC	Outdoor, low to moderate pollution (C3 / C4 - low)	1x 3 m	2268519	
MT-40D OC		1x 6 m	2268520	

MT Closed Profiles - Outdoor

2



Applications

- Floor-mounted MEP support structures, such as goal post-type strut framing
- Ceiling-mounted MEP support structures, such as suspended strut trapeze frames
- Wall-mounted cantilever brackets for heavier pipes

Advantages

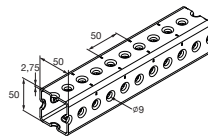
- Economical – high load/weight ratio make MT closed profiles an efficient alternative to welding for virtually any heavy-duty MEP supports and modular structures
- Complexity kept to the minimum – optimizing logistical and on-site operations, as well as providing simplicity in installation
- Simpler to design – you can use Hilti MT components for all MEP installations from the lightest trapeze to the heaviest-duty modular framing
- Simpler to install – compatible with the innovative MT thread-forming bolt, enabling the use of a wide range of MT connectors and baseplates, and avoiding the need for nuts

Technical data

Material composition	S350 or better steel
Surface finish	Zinc-Magnesium (ZM310) for outdoor use

MT-70 Closed Profile - Outdoor

Order Designation	Technical data	Sales pack quantity	Item number
MT-70 S OC	Outdoor, low to moderate pollution (C3 / C4 - low)	1 x 3 m	2268364
MT-70 OC		1 x 6 m	2268365



MT Closed Profiles - Outdoor

MT-80 Closed Profile - Outdoor

Order Designation	Technical data	Sales pack quantity	Item number	
MT-80 S OC	Outdoor, low to moderate pollution (C3 / C4 - low)	1x 3 m	2268366	
MT-80 OC		1x 6 m	2268367	

MT-90 Closed Profile - Outdoor

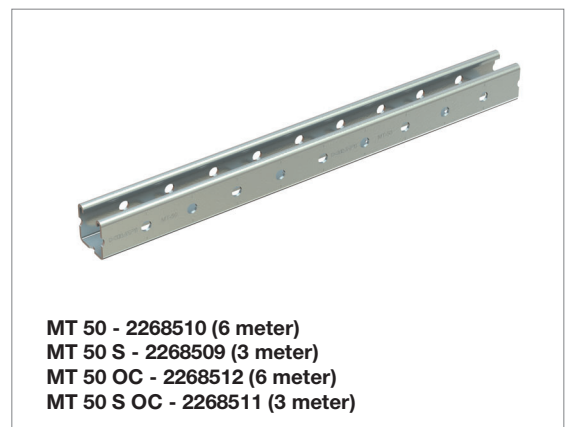
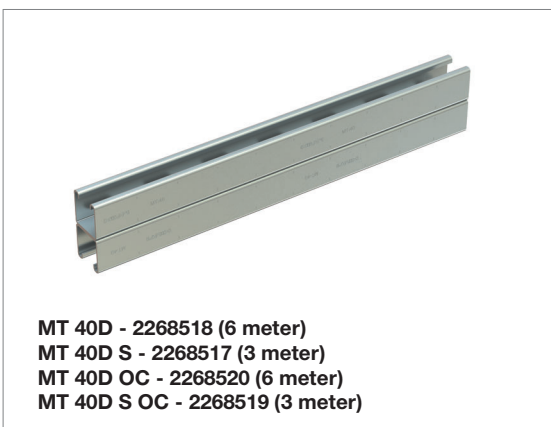
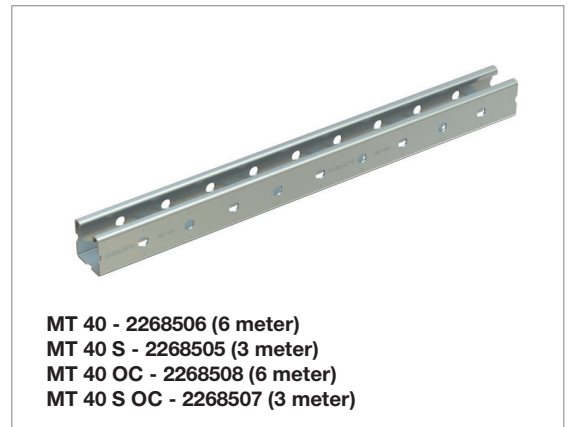
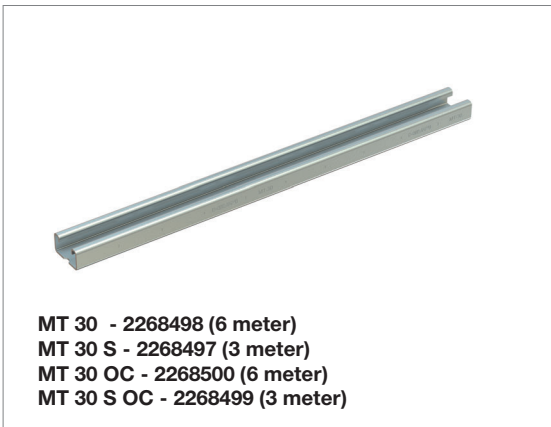
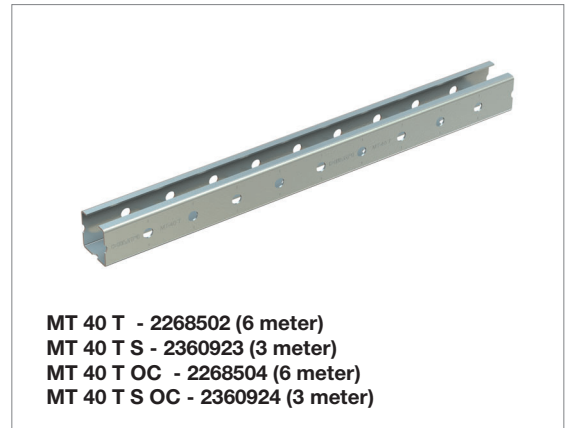
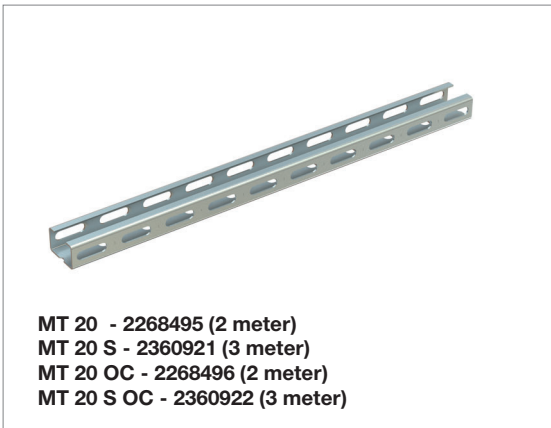
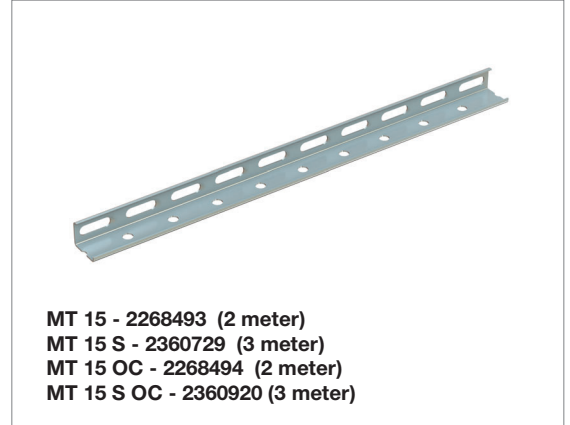
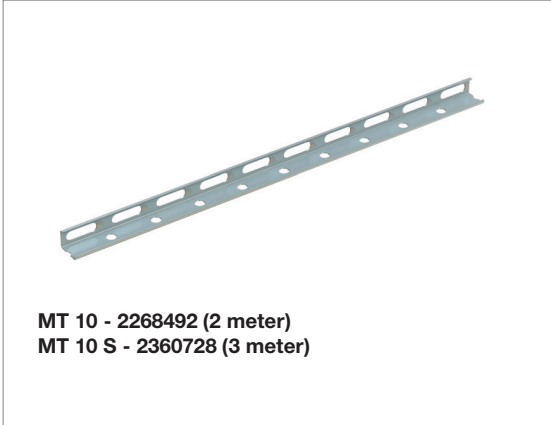
Order Designation	Technical data	Sales pack quantity	Item number	
MT-90 S OC	Outdoor, low to moderate pollution (C3 / C4 - low)	1x 3 m	2268368	
MT-90 OC		1x 6 m	2268369	

MT-100 Closed Profile - Outdoor

Order Designation	Technical data	Sales pack quantity	Item number	
MT-100 S OC	Outdoor, low to moderate pollution (C3 / C4 - low)	1x 3 m	2268490	
MT-100 OC		1x 6 m	2268491	

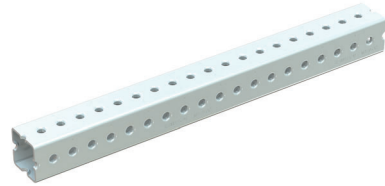
Overview MT Trapeze Profiles, Open C-channels, Closed Profiles

2

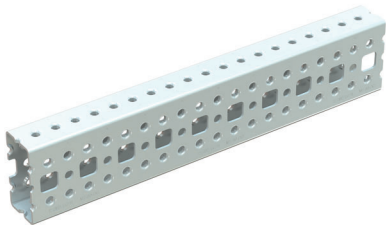




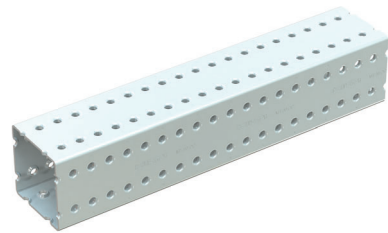
MT 60 - 2268514 (6 meter)
MT 60 S - 2268513 (3 meter)
MT 60 OC - 2268516 (6 meter)
MT 60 S OC - 2268515 (3 meter)



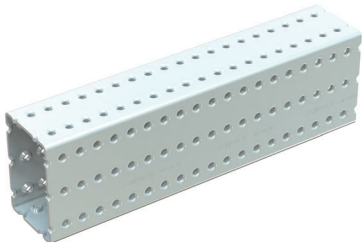
MT 70 OC - 2268365 (6 meter)
MT 70 S OC - 2268364 (3 meter)



MT 80 OC - 2268367 (6 meter)
MT 80 S OC - 2268366 (3 meter)



MT 90 OC - 2268369 (6 meter)
MT 90 S OC - 2268368 (3 meter)



MT 100 OC - 2268491 (6 meter)
MT 100 S OC - 2268490 (3 meter)

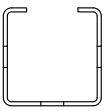
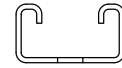
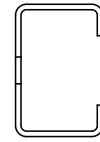
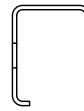
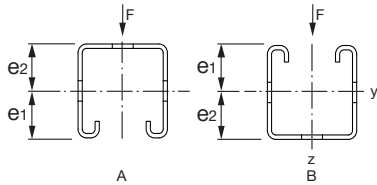
MT Profiles Technical Data

2

Technical data for channel profile MT (pregalvanized & zing magnesium)

trapeze profiles

Definition of axes



			MT-10	MT-15/ MT-15 OC	MT-20/ MT-20 OC	MT-30/ MT-30 OC	MT-40 T/ MT-40 T OC
Channel wall thickness	t	[mm]	1,2	1,5	1,75	2,0	1,75
Cross-sectional area	A	[mm ²]	48,43	85,2	148,65	180	175,59
Channel weight		[kg/m]	0,3888	0,6784	1,267	1,486	1,69
Delivered length		[m]	2	2	2	3/6	6
Material							
Steel grade			S280GD	S280GD	S280GD	S280GD	S280GD
Permissible stress	δ_{perm}	[N/mm ²]	207,8	206,7	205,8	205,8	200,5
E-Modul		[N/mm ²]	210000	210000	210000	210000	210000
Surface							
pregalvanized (DIN EN ISO 10346)			•	•	•	•	•
zing magnesium (EN 10346 & ASTM A1046)				•	•	•	•
Cross-section values Y-axis							
Axis of gravity A ¹⁾	e_1	[mm]	9,25	11,90	21,25	12,04	23,05
Axis of gravity B	e_2	[mm]	16,75	23,10	21,25	10,96	19,45
Moment of inertia	I_y	[cm ⁴]	0,40	1,27	3,65	1,21	4,84
Permtion modulus A	W_{y1}	[cm ³]	0,25	0,57	1,73	1,00	2,10
Permtion modulus B	W_{y2}	[cm ³]	0,41	1,00	1,73	1,10	2,48
Radius of gyration	i_y	[cm]	0,91	1,22	1,57	0,82	1,66
Permissible moment ²⁾	M_y	[Nm]	52	180	355	207	421
Z-axis							
Moment of inertia	I_z	[cm ⁴]	0,23	0,72	1,85	5,19	5,71
Permtion modulus	W_z	[cm ³]	0,15	0,36	1,07	2,44	2,69
Radius of gyration	i_z	[cm]	0,69	0,92	1,12	1,70	1,80

Design note

- Shown load values are recommended values with partial safety factors for actions and resistance included
- Design value = γ^* recommended value ($\gamma = 1.4$ for MT-10 to MT-70; $\gamma = 1.5$ for MT-80 to MT-100)
- The design resistance of the products is defined in accordance with EN1993
- Load tables are based on stress and deflection calculations, lateral torsional buckling is not considered
- MT-10 to MT-70: The permissible stress $\sigma_D / \gamma_{G,Q}$ where $\gamma = 1.4$. σ_D results from the higher yield strength (point) resulting from cold forming as per EN 1993-1-3: 2010: $\sigma_D = f_{yk} / \gamma_M$ where $\gamma_M = 1.1$.
- MT-80 to MT-100: The permissible stress $\sigma_D / \gamma_{G,Q}$ where $\gamma = 1.5$

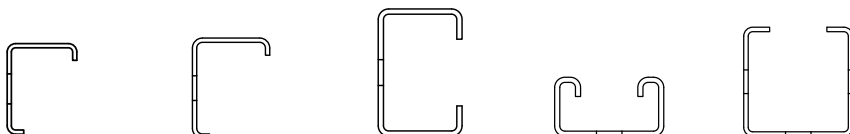
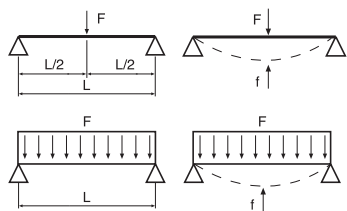
 1) For the arithmetical bending dimensioning is the smaller value (W_{y1} , W_{y2}) decisive to ($W_{y1} = I_y / e_1$ bzw. $W_{y2} = I_y / e_2$).

 2) $M_y = \delta_{perm} \times \min. (W_{y1}, W_{y2})$

open C-channels (struts)				MT-closed profile			
MT-40 MT-40 OC	MT-40D/ MT-40D OC	MT-50/ MT-50 OC	MT-60/ MT-60 OC	MT-70 OC	MT-80 OC	MT-90 OC	MT-100 OC
2,0	2,0	2,75	2,75	2,75	3,0	3,0	4,0
214	429,52	276,05	500,1	428,78	592,66	976,08	1555,34
2,039	4,299	2,744	4,017	3,909	6,058	8,973	15,096
3/6	3/6	3/6	3/6	3/6	3/6	3/6	3/6
S280GD	S280GD	S280GD	S280GD	S350GD	S350GD	S350GD	S350GD
202,2	202,2	207,8	202,3	227,3	233,3	233,3	233,3
210000	210000	210000	210000	210000	210000	210000	210000
•	•	•	•				
•	•	•	•	•	•	•	•
21,76	42,50	22,04	36,62	25,00	50,00	50,00	75,00
20,74	42,50	20,46	35,38	25,00	50,00	50,00	75,00
5,77	29,96	7,04	28,67	15,87	87,97	150,85	487,36
2,65	7,05	3,19	7,83	6,35	17,59	30,17	64,98
2,78	7,05	3,44	8,10	6,35	17,59	30,17	64,98
1,64	2,64	1,60	2,39	1,92	3,85	3,93	5,60
536	1425	663	1584	1443	4105	7040	15162
6,59	13,18	8,27	17,11	15,87	24,50	150,85	260,98
3,10	6,20	3,89	8,05	6,35	9,80	30,17	52,20
1,76	1,75	1,73	1,85	1,92	2,03	3,93	4,10

Point Load In The Middle Of The Span

2

Technical data for channel profile MT (max. span width/deflection - point Load in the middle of trapeze profiles)

Max. span width L [cm] / deflection f [mm] - Result

load F [kN]	MT-10		MT-15/ MT-15 OC		MT-20/ MT-20 OC		MT-30/ MT-30 OC		MT-40 T/ MT-40 T OC	
	L	f	L	f	L	f	L	f	L	f
0,25	83	0,4	157	7,8	260	12,9	152	7,6	294	14,7
0,50	42	0,1	93	3,2	188	9,3	109	5,5	215	10,7
0,75	28	0,0	62	1,4	155	7,7	90	4,5	178	8,9
1,00	21	0,0	47	0,8	134	6,6	78	3,9	154	7,6
1,25	17	0,0	37	0,5	113	5,0	66	2,9	134	6,2
1,50	14	0,0	31	0,4	94	3,4	55	2,1	112	4,3
1,75	12	0,0	27	0,3	81	2,5	47	1,5	96	3,2
2,00	10	0,0	23	0,2	71	1,9	41	1,2	84	2,4
2,25	9	0,0	21	0,2	63	1,5	37	0,9	75	1,9
2,50	8	0,0	19	0,1	57	1,2	33	0,7	67	1,6
2,75	8	0,0	17	0,1	52	1,0	30	0,6	61	1,3
3,00	7	0,0	16	0,1	47	0,9	28	0,5	56	1,1
3,50	6	0,0	13	0,1	41	0,6	24	0,4	48	0,8
4,00	5	0,0	12	0,1	36	0,5	21	0,3	42	0,6
4,50	5	0,0	10	0,0	32	0,4	18	0,2	37	0,5
5,00	4	0,0	9	0,0	28	0,3	17	0,2	34	0,4
6,00	3	0,0	8	0,0	24	0,2	14	0,1	28	0,3
7,00	3	0,0	7	0,0	20	0,2	12	0,1	24	0,2
8,00	3	0,0	6	0,0	18	0,1	10	0,1	21	0,2

Design note

- Shown load values are recommended values with partial safety factors for actions and resistance included
- Design value = γ * recommended value ($\gamma = 1.4$ for MT-10 to MT-70; $\gamma = 1.5$ for MT-80 to MT-100)
- The design resistance of the products is defined in accordance with EN1993
- Load tables are based on stress and deflection calculations, lateral torsional buckling is not considered

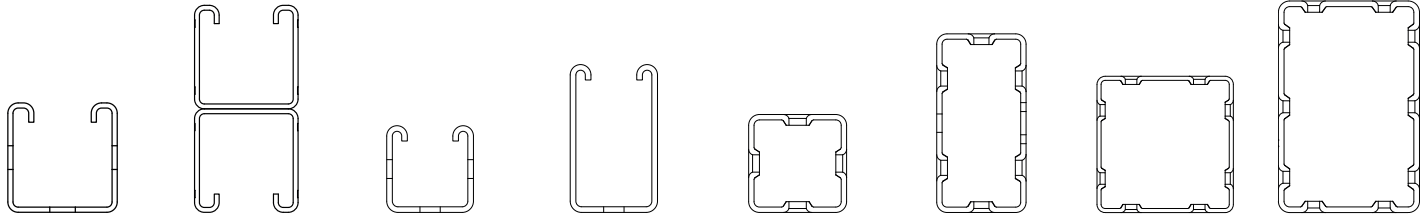
Selection example:

- 1,0 kN (= 100 kg) should be carried by a channel with a channel span width L = 100cm (single span simply supported).

Solution:

- Select the line with the load, F = 1,0 kN.
- The channels MT-20, MT-40 T up to MT-100 can be used because the permissible span width (table value) is larger or equal to the required span width of L = 100cm.

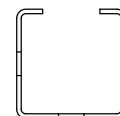
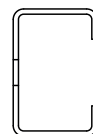
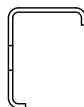
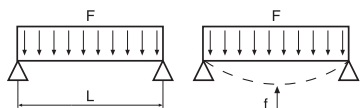
of span)

open C-channels (struts)
MT-closed profile


MT-40/ MT-40 OC		MT-40D/ MT-40D OC		MT-50/ MT-50 OC		MT-60/ MT-60 OC		MT-70 OC		MT-80 OC		MT-90 OC		MT-100 OC	
L	f	L	f	L	f	L	f	L	f	L	f	L	f	L	f
317	15,8	600	29,4	339	16,9	600	29,9	469	23,4	600	11,6	600	8,3	600	3,6
234	11,7	489	24,4	254	12,6	482	24,1	368	18,4	600	17,7	600	11,9	600	4,7
194	9,6	418	20,9	212	10,6	411	20,5	311	15,5	600	23,8	600	15,4	600	5,8
169	8,4	371	18,5	185	9,3	363	18,1	274	13,6	600	29,9	600	19,0	600	6,9
151	7,6	336	16,8	167	8,3	329	16,4	247	12,3	551	27,5	600	22,5	600	8,0
138	6,9	309	15,4	152	7,6	302	15,0	227	11,3	512	25,6	600	26,1	600	9,1
122	5,5	287	14,4	141	7,0	281	14,0	211	10,5	479	23,9	600	29,6	600	10,2
107	4,2	270	13,5	132	6,5	264	13,2	198	9,9	452	22,6	572	28,6	600	11,3
95	3,3	248	11,6	117	5,1	249	12,4	187	9,3	429	21,4	545	27,2	600	12,4
86	2,7	224	9,5	106	4,2	237	11,8	177	8,8	409	20,4	522	26,0	600	13,5
78	2,2	204	7,9	96	3,5	227	11,3	169	8,4	391	19,5	501	25,0	600	14,6
71	1,9	188	6,7	88	2,9	208	9,6	162	8,1	376	18,8	482	24,1	600	15,7
61	1,4	161	4,9	76	2,1	179	7,1	150	7,5	349	17,4	450	22,5	600	17,9
54	1,1	141	3,8	66	1,6	157	5,4	141	7,0	328	16,3	424	21,2	600	20,1
48	0,8	126	3,0	59	1,3	140	4,3	128	5,9	310	15,5	401	20,0	600	22,3
43	0,7	113	2,4	53	1,1	126	3,5	115	4,8	295	14,7	382	19,0	600	24,5
36	0,5	95	1,7	44	0,7	105	2,4	96	3,3	270	13,5	350	17,5	600	28,9
31	0,3	81	1,2	38	0,5	90	1,8	82	2,4	232	10,0	325	16,2	571	28,5
27	0,3	71	1,0	33	0,4	79	1,4	72	1,9	204	7,7	305	15,2	537	26,8

Uniformly Distributed Load Along The Span

2

Technical data for channel profile MT (max. span width/deflection - distributed load along the span)
trapeze profiles

Max. span width L [cm] / deflection f [mm] - Result

load F [kN]	MT-10		MT-15/ MT-15 OC		MT-20/ MT-20 OC		MT-30/ MT-30 OC		MT-40 T/ MT-40 T OC	
	L	f	L	f	L	f	L	f	L	f
0,25	162	1,7	196	9,7	318	15,9	187	9,3	354	17,6
0,50	83	0,4	141	7,0	235	11,7	137	6,8	267	13,3
0,75	55	0,2	116	5,8	194	9,6	113	5,6	222	11,0
1,00	42	0,1	93	4,0	169	8,4	98	4,9	194	9,7
1,25	33	0,1	75	2,6	152	7,6	88	4,3	174	8,6
1,50	28	0,0	62	1,8	139	6,9	80	4,0	159	7,9
1,75	24	0,0	53	1,3	129	6,4	74	3,7	148	7,4
2,00	21	0,0	47	1,0	120	5,9	69	3,4	138	6,8
2,25	19	0,0	42	0,8	113	5,6	66	3,3	131	6,5
2,50	17	0,0	37	0,6	108	5,4	62	3,1	124	6,2
2,75	15	0,0	34	0,5	103	5,1	59	3,0	118	5,8
3,00	14	0,0	31	0,4	94	4,3	55	2,6	112	5,4
3,50	12	0,0	27	0,3	81	3,2	47	1,9	96	4,0
4,00	10	0,0	23	0,3	71	2,4	41	1,4	84	3,0
4,50	9	0,0	21	0,2	63	1,9	37	1,1	75	2,4
5,00	8	0,0	19	0,2	57	1,6	33	0,9	67	2,0
6,00	7	0,0	16	0,1	47	1,1	28	0,6	56	1,4
7,00	6	0,0	13	0,1	41	0,8	24	0,5	48	1,0
8,00	5	0,0	12	0,1	36	0,6	21	0,4	42	0,8

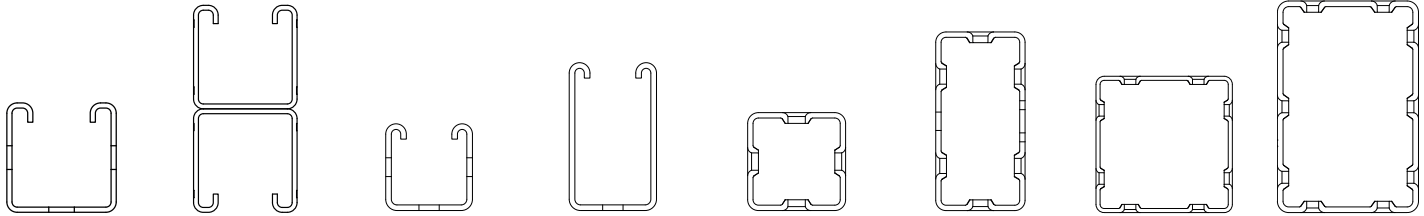
Design note

- Shown load values are recommended values with partial safety factors for actions and resistance included
- Design value = $\gamma \cdot$ recommended value ($\gamma = 1.4$ for MT-10 to MT-70; $\gamma = 1.5$ for MT-80 to MT-100)
- The design resistance of the products is defined in accordance with EN1993
- Load tables are based on stress and deflection calculations, lateral torsional buckling is not considered

e span)

open C-channels (struts)

MT-closed profile

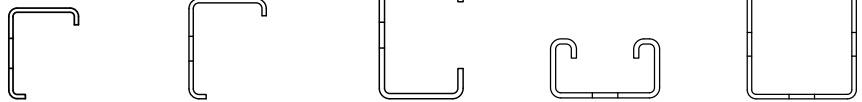
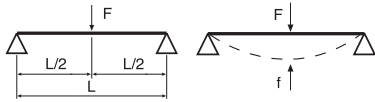


MT-40/ MT-40 OC		MT-40D/ MT-40D OC		MT-50/ MT-50 OC		MT-60/ MT-60 OC		MT-70 OC		MT-80 OC		MT-90 OC		MT-100 OC	
L	f	L	f	L	f	L	f	L	f	L	f	L	f	L	f
377	18,8	600	22,7	397	19,8	600	22,9	529	26,4	600	9,3	600	7,0	600	3,2
289	14,4	570	28,5	311	15,5	564	28,2	437	21,8	600	13,1	600	9,2	600	3,9
241	12,0	500	25,0	262	13,0	493	24,6	378	18,9	600	17,0	600	11,4	600	4,6
211	10,5	450	22,4	231	11,5	443	22,1	336	16,8	600	20,8	600	13,7	600	5,2
190	9,5	411	20,5	208	10,4	404	20,1	306	15,3	600	24,6	600	15,9	600	5,9
174	8,7	381	19,0	191	9,5	374	18,7	281	14,0	600	28,4	600	18,1	600	6,6
162	8,1	356	17,8	178	8,9	349	17,4	263	13,1	581	29,0	600	20,3	600	7,3
151	7,5	335	16,7	167	8,3	329	16,4	247	12,3	551	27,5	600	22,5	600	8,0
143	7,1	318	15,9	157	7,8	311	15,4	234	11,6	526	26,3	600	24,8	600	8,7
136	6,8	303	15,1	149	7,4	297	14,8	222	11,1	503	25,1	600	27,0	600	9,4
129	6,4	290	14,4	143	7,1	284	14,2	213	10,6	483	24,1	600	29,2	600	10,0
124	6,2	278	13,9	137	6,8	272	13,5	204	10,1	465	23,2	587	29,3	600	10,7
115	5,7	259	12,9	127	6,3	253	12,6	189	9,4	434	21,7	552	27,5	600	12,1
107	5,2	243	12,1	119	5,9	237	11,8	177	8,8	409	20,4	522	26,0	600	13,5
95	4,2	229	11,4	111	5,5	224	11,2	167	8,3	387	19,3	496	24,7	600	14,9
86	3,4	218	10,8	106	5,2	213	10,6	159	7,9	369	18,4	474	23,7	600	16,2
71	2,3	188	8,3	88	3,6	195	9,7	145	7,2	338	16,9	436	21,8	600	19,0
61	1,7	161	6,1	76	2,7	179	8,8	134	6,6	314	15,7	406	20,3	600	21,7
54	1,3	141	4,7	66	2,0	157	6,8	126	6,3	295	14,7	381	19,0	600	24,5

Point Load In The Middle Of The Span

2

Technical data for channel profile MT (max. span width/deflection - point Load in the middle)

trapeze profiles

Max. load F [kN] / deflection f [mm] - Result

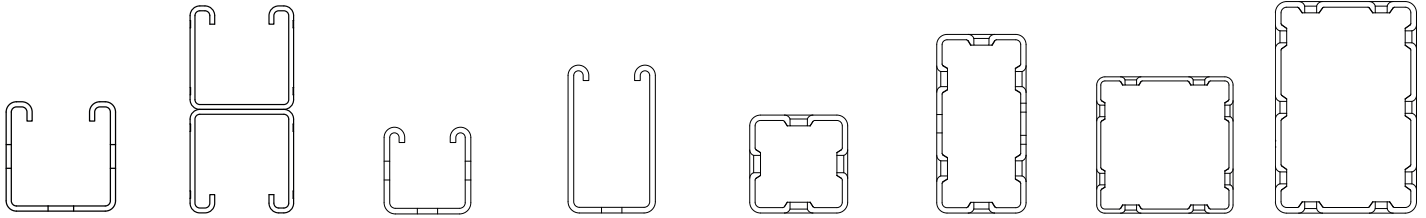
span width L [cm]	MT-10		MT-15/ MT-15 OC		MT-20/ MT-20 OC		MT-30/ MT-30 OC		MT-40 T/ MT-40 T OC	
	F	f	F	f	F	f	F	f	F	f
25	0,83	0,0	1,87	0,2	5,69	0,2	3,31	0,4	6,74	0,2
50	0,42	0,1	0,94	0,9	2,84	1,0	1,65	1,7	3,36	0,9
75	0,28	0,3	0,62	2,1	1,89	2,2	1,08	3,7	2,24	1,9
100	0,21	0,5	0,46	3,7	1,42	3,9	0,60	5,0	1,68	3,5
125	0,16	0,8	0,37	5,7	1,13	6,1	0,38	6,2	1,34	5,4
150	0,14	1,2	0,28	7,5	0,80	7,5	0,26	7,5	1,07	7,5
175	0,12	1,6	0,20	8,7	0,59	8,7	0,18	8,7	0,78	8,7
200	0,10	2,1	0,15	9,9	0,44	10,0	0,13	9,9	0,59	10,0
225	0,09	2,6	0,12	11,2	0,34	11,2	0,10	11,0	0,46	11,2
250	0,08	3,2	0,09	12,4	0,27	12,4	0,07	12,2	0,36	12,4
275	0,07	3,9	0,07	13,6	0,22	13,6	0,05	13,3	0,29	13,6
300	0,06	4,7	0,06	14,7	0,18	14,8	0,04	14,4	0,24	14,8
325	0,06	5,5	0,05	15,9	0,15	16,0	0,02	15,4	0,19	16,0
350	0,05	6,4	0,04	17,0	0,12	17,2	0,01	16,3	0,16	17,2
375	0,05	7,4	0,03	18,1	0,10	18,3			0,13	18,3
400	0,04	8,5	0,02	19,1	0,08	19,4			0,11	19,4
425	0,04	9,6	0,02	20,1	0,06	20,5			0,09	20,5
450	0,04	10,8	0,01	21,1	0,05	21,6			0,07	21,6
475	0,03	12,1	0,01	22,0	0,04	22,6			0,05	22,6
500	0,03	13,5			0,03	23,6			0,04	23,6
525	0,03	15,0			0,02	24,6			0,03	24,5
550	0,03	16,5			0,01	25,5			0,02	25,4
575	0,03	18,2			0,01	26,3			0,01	26,3
600	0,02	19,9								

Design note

• Shown load values are recommended values with partial safety factors for actions and resistance included
 • Design value = γ * recommended value ($\gamma = 1.4$ for MT-10 to MT-70; $\gamma = 1.5$ for MT-80 to MT-100)

• The design resistance of the products is defined in accordance with EN1993
 • Load tables are based on stress and deflection calculations, lateral torsional buckling is not considered

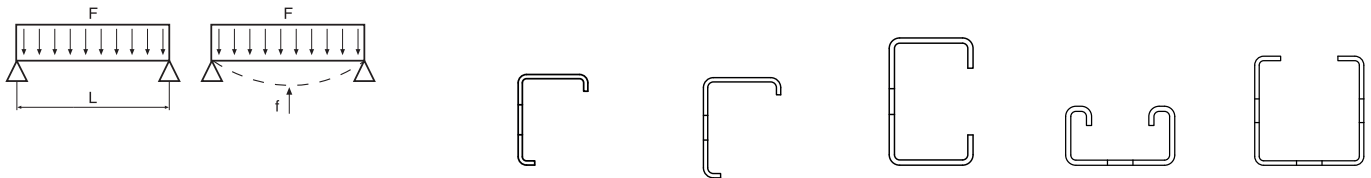
e of span)

open C-channels (struts)
MT-closed profile


MT-40/ MT-40 OC		MT-40D/ MT-40D OC		MT-50/ MT-50 OC		MT-60/ MT-60 OC		MT-70 OC		MT-80 OC		MT-90 OC		MT-100 OC	
F	f	F	f	F	f	F	f	F	f	F	f	F	f	F	f
8,58	0,2	22,80	0,1	10,61	0,2	25,35	0,1	23,08	0,2	65,68	0,1	106,17	0,1	222,70	0,1
4,29	0,9	11,39	0,5	5,30	0,9	12,67	0,5	11,53	0,9	32,83	0,5	56,29	0,5	121,26	0,3
2,85	2,1	7,59	1,1	3,53	2,1	8,44	1,2	7,68	2,0	21,87	1,0	37,51	1,0	80,81	0,7
2,14	3,7	5,68	1,9	2,64	3,7	6,32	2,2	5,75	3,6	16,39	1,9	28,11	1,9	60,57	1,2
1,70	5,8	4,53	3,0	2,11	5,9	5,05	3,4	4,59	5,6	13,10	2,9	22,47	2,9	48,43	1,9
1,27	7,5	3,77	4,3	1,55	7,5	4,20	4,9	3,52	7,5	10,90	4,2	18,70	4,2	40,32	2,8
0,93	8,7	3,22	5,8	1,13	8,7	3,59	6,7	2,57	8,7	9,33	5,7	16,01	5,7	34,52	3,8
0,70	10,0	2,81	7,6	0,85	10,0	3,13	8,8	1,95	10,0	8,15	7,4	13,99	7,4	30,17	4,9
0,54	11,2	2,49	9,6	0,66	11,2	2,77	11,1	1,52	11,2	7,23	9,4	12,41	9,4	26,79	6,3
0,43	12,4	2,23	11,9	0,52	12,4	2,24	12,5	1,21	12,4	6,49	11,6	11,15	11,6	24,07	7,7
0,35	13,6	1,91	13,7	0,42	13,6	1,83	13,7	0,98	13,7	5,75	13,7	9,88	13,7	21,85	9,4
0,28	14,8	1,59	14,9	0,34	14,8	1,52	14,9	0,81	14,9	4,80	15,0	8,26	15,0	19,99	11,1
0,23	16,0	1,33	16,1	0,27	16,0	1,28	16,1	0,67	16,1	4,06	16,2	7,00	16,2	18,42	13,1
0,19	17,2	1,13	17,4	0,22	17,1	1,08	17,4	0,56	17,3	3,47	17,4	5,99	17,4	17,06	15,2
0,15	18,3	0,96	18,6	0,18	18,3	0,92	18,6	0,47	18,4	3,00	18,7	5,17	18,7	15,89	17,4
0,13	19,4	0,83	19,8	0,15	19,4	0,79	19,8	0,39	19,6	2,60	19,9	4,50	19,9	14,86	19,9
0,10	20,5	0,71	20,9	0,12	20,4	0,68	21,0	0,33	20,7	2,28	21,1	3,95	21,1	13,16	21,2
0,08	21,6	0,61	22,1	0,09	21,5	0,59	22,1	0,27	21,9	2,00	22,3	3,48	22,3	11,66	22,4
0,06	22,6	0,53	23,3	0,07	22,5	0,51	23,3	0,23	22,9	1,77	23,5	3,08	23,6	10,39	23,6
0,05	23,6	0,46	24,4	0,05	23,4	0,44	24,4	0,19	24,0	1,56	24,7	2,73	24,8	9,30	24,9
0,03	24,5	0,39	25,6	0,03	24,3	0,38	25,6	0,15	25,0	1,39	25,9	2,43	26,0	8,37	26,1
0,02	25,4	0,34	26,7	0,01	25,2	0,33	26,7	0,12	26,1	1,24	27,1	2,17	27,2	7,55	27,3
0,01	26,3	0,29	27,7			0,28	27,8	0,09	27,0	1,10	28,3	1,94	28,3	6,83	28,5
		0,24	28,8			0,24	28,8	0,06	28,0	0,98	29,4	1,74	29,5	6,20	29,7

Uniformly Distributed Load Along The Span

2

Technical data for channel profile MT (max. span width/deflection - distributed load along the span)
trapeze profiles


Max. Last F [kN]/Durchbiegung f [mm], max. L/200 bei Gleichlast

span width L [cm]	MT-10		MT-15/ MT-15 OC		MT-20/ MT-20 OC		MT-30/ MT-30 OC		MT-40 T/ MT-40 T OC	
	F	f	F	f	F	f	F	f	F	f
25	1,66	0,0	3,75	0,3	8,65	0,2	6,61	0,5	13,47	0,3
50	0,83	0,2	1,87	1,1	5,68	1,2	3,30	2,1	6,73	1,1
75	0,55	0,4	1,24	2,6	3,78	2,7	1,72	3,8	4,48	2,4
100	0,41	0,6	0,93	4,6	2,83	4,8	0,96	5,0	3,35	4,3
125	0,33	1,0	0,65	6,3	1,87	6,3	0,61	6,3	2,47	6,3
150	0,27	1,4	0,44	7,5	1,29	7,5	0,41	7,5	1,71	7,5
175	0,23	2,0	0,32	8,8	0,94	8,8	0,29	8,8	1,24	8,8
200	0,20	2,6	0,24	10,0	0,71	10,0	0,21	10,0	0,94	10,0
225	0,18	3,2	0,19	11,3	0,55	11,3	0,16	11,3	0,73	11,3
250	0,16	4,0	0,15	12,5	0,44	12,5	0,12	12,5	0,58	12,5
275	0,14	4,8	0,12	13,8	0,35	13,8	0,09	13,8	0,47	13,8
300	0,13	5,7	0,09	15,0	0,29	15,0	0,06	15,0	0,38	15,0
325	0,12	6,7	0,07	16,3	0,24	16,3	0,04	16,3	0,31	16,3
350	0,11	7,8	0,06	17,5	0,20	17,5	0,03	17,5	0,26	17,5
375	0,10	9,0	0,05	18,8	0,16	18,8	0,01	18,8	0,21	18,8
400	0,09	10,2	0,04	20,0	0,13	20,0			0,18	20,0
425	0,08	11,5	0,03	21,3	0,11	21,3			0,14	21,3
450	0,08	12,9	0,02	22,5	0,09	22,5			0,12	22,5
475	0,07	14,4	0,01	23,8	0,07	23,8			0,09	23,8
500	0,06	16,0	0,01	25,0	0,05	25,0			0,07	25,0
525	0,06	17,6			0,04	26,3			0,05	26,3
550	0,05	19,3			0,03	27,5			0,04	27,5
575	0,05	21,1			0,02	28,8			0,02	28,8
600	0,05	23,0			0,01	30,0			0,01	30,0

Design note

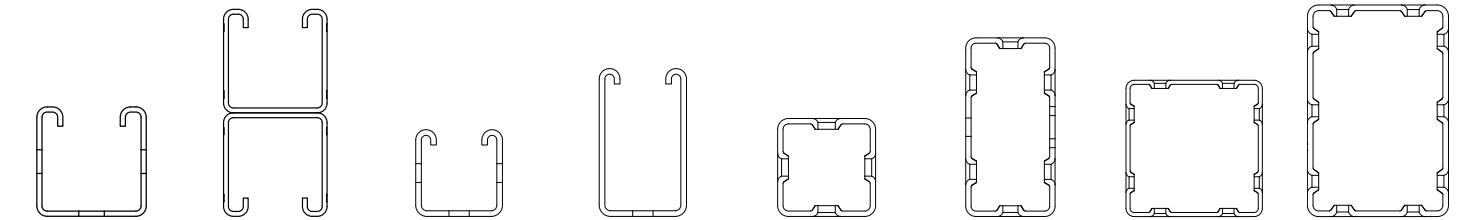
• Shown load values are recommended values with partial safety factors for actions and resistance included
 • Design value = $\gamma \cdot$ recommended value ($\gamma = 1.4$ for MT-10 to MT-70; $\gamma = 1.5$ for MT-80 to MT-100)

• The design resistance of the products is defined in accordance with EN1993
 • Load tables are based on stress and deflection calculations, lateral torsional buckling is not considered

ne span)

open C-channels (struts)

MT-closed profile



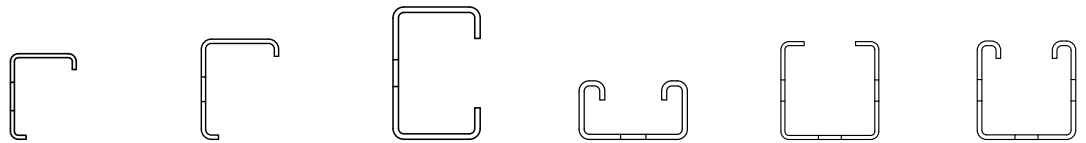
MT-40/ MT-40 OC		MT-40D/ MT-40D OC		MT-50/ MT-50 OC		MT-60/ MT-60 OC		MT-70 OC		MT-80 OC		MT-90 OC		MT-100 OC	
F	f	F	f	F	f	F	f	F	f	F	f	F	f	F	f
17,16	0,3	27,12	0,1	21,22	0,3	50,70	0,2	46,17	0,3	124,57	0,1	106,17	0,1	222,70	0,0
8,57	1,2	22,78	0,6	10,60	1,2	25,34	0,7	23,07	1,1	65,66	0,6	106,17	0,5	222,70	0,4
5,71	2,6	15,17	1,3	7,06	2,6	16,87	1,5	15,36	2,5	43,75	1,3	75,02	1,3	161,62	0,9
4,27	4,6	11,36	2,4	5,28	4,7	12,64	2,7	11,51	4,5	32,78	2,3	56,23	2,3	121,15	1,5
2,95	6,3	9,07	3,7	3,60	6,3	10,09	4,3	8,14	6,3	26,20	3,6	44,94	3,6	96,85	2,4
2,04	7,5	7,54	5,3	2,48	7,5	8,39	6,2	5,63	7,5	21,80	5,2	37,41	5,2	80,64	3,5
1,48	8,8	6,44	7,2	1,81	8,8	7,17	8,4	4,11	8,8	18,66	7,1	32,02	7,1	69,05	4,7
1,12	10,0	5,62	9,4	1,36	10,0	5,70	10,0	3,12	10,0	16,30	9,3	27,98	9,3	60,35	6,2
0,87	11,3	4,68	11,3	1,06	11,3	4,48	11,3	2,44	11,3	13,88	11,3	23,83	11,3	53,57	7,8
0,69	12,5	3,76	12,5	0,84	12,5	3,60	12,5	1,95	12,5	11,20	12,5	19,24	12,5	48,14	9,6
0,56	13,8	3,08	13,8	0,67	13,8	2,95	13,8	1,59	13,8	9,21	13,8	15,84	13,8	43,69	11,7
0,46	15,0	2,56	15,0	0,55	15,0	2,45	15,0	1,31	15,0	7,70	15,0	13,25	15,0	39,98	13,9
0,37	16,3	2,15	16,3	0,45	16,3	2,06	16,3	1,08	16,3	6,52	16,3	11,22	16,3	36,72	16,3
0,31	17,5	1,82	17,5	0,37	17,5	1,75	17,5	0,91	17,5	5,58	17,5	9,62	17,5	31,55	17,5
0,25	18,8	1,56	18,8	0,30	18,8	1,49	18,8	0,76	18,8	4,82	18,8	8,31	18,8	27,38	18,8
0,21	20,0	1,34	20,0	0,24	20,0	1,28	20,0	0,64	20,0	4,19	20,0	7,24	20,0	23,96	20,0
0,17	21,3	1,15	21,3	0,20	21,3	1,11	21,3	0,54	21,3	3,67	21,3	6,35	21,3	21,12	21,3
0,14	22,5	1,00	22,5	0,16	22,5	0,96	22,5	0,46	22,5	3,23	22,5	5,60	22,5	18,73	22,5
0,11	23,8	0,87	23,8	0,12	23,8	0,83	23,8	0,38	23,8	2,86	23,8	4,97	23,8	16,70	23,8
0,08	25,0	0,75	25,0	0,09	25,0	0,72	25,0	0,32	25,0	2,53	25,0	4,42	25,0	14,97	25,0
0,05	26,3	0,65	26,3	0,06	26,3	0,63	26,3	0,26	26,3	2,26	26,3	3,94	26,3	13,47	26,3
0,04	27,5	0,56	27,5	0,04	27,5	0,54	27,5	0,21	27,5	2,01	27,5	3,53	27,5	12,16	27,5
0,02	28,8	0,48	28,8	0,01	28,8	0,47	28,8	0,16	28,8	1,80	28,8	3,16	28,8	11,02	28,8
0,01	30,0	0,41	30,0			0,40	30,0	0,12	30,0	1,61	30,0	2,84	30,0	10,01	30,0

Buckling

2

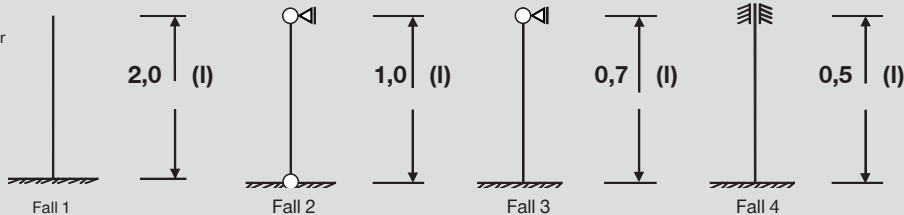
Permissible buckling load for channel profile MT

trapeze profiles



Buckling length Sk [cm]	MT-10 permissible buckling load [kN]	MT-15 / MT-15 OC permissible buckling load [kN]	MT-20 / MT-20 OC permissible buckling load [kN]	MT-30 / MT-30 OC permissible buckling load [kN]	MT-40 T / MT-40 T OC permissible buckling load [kN]	MT-40 / MT-40 OC permissible buckling load [kN]
25			29,40	30,51	33,00	
50			24,86	22,72	24,00	
75			19,67	15,10	15,56	
100			14,70	10,03	10,22	
125			10,86	7,02	7,11	
150	N/A	N/A	8,19	5,16	5,22	
175	N/A	N/A	6,33	3,96	3,99	
200			5,03	3,13	3,16	
225			4,08	2,54	2,56	
250			3,37	2,11	2,12	
275			2,83	1,78	1,79	
300			2,41	1,52	1,52	

Flexural buckling:
Rod length l (cm) / euler factor β / Sk (cm) effective length = $l \cdot \beta$



Design note

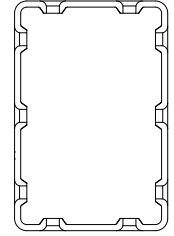
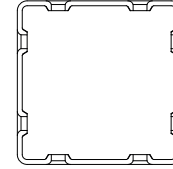
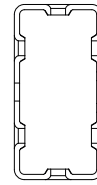
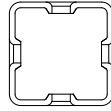
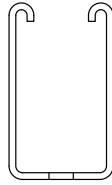
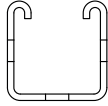
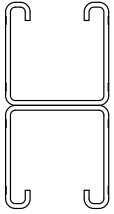
- Shown load values are recommended values with partial safety factors for actions and resistance included
- Design value = γ * recommended value ($\gamma = 1.4$ for MT-10 to MT-70; $\gamma = 1.5$ for MT-80 to MT-100)
- The design resistance of the products is defined in accordance with EN1993
- Load tables are based on stress and deflection calculations, lateral torsional buckling is not considered
- MT-10 to MT-70: $\gamma_{Ed,0} = 1,4 \rightarrow F_{Ed}^* =$ permissible buckling load x 1,4
- MT-80 to MT-100: $\gamma_{Ed,0} = 1,5 \rightarrow F_{Ed}^* =$ permissible buckling load x 1,5

Flexural buckling:
Sk = $l \cdot \beta$
Sk [cm]: buckling length
l [cm]: channel/girder length
 β : Euler factor

*(design value)

open C-channels (struts)

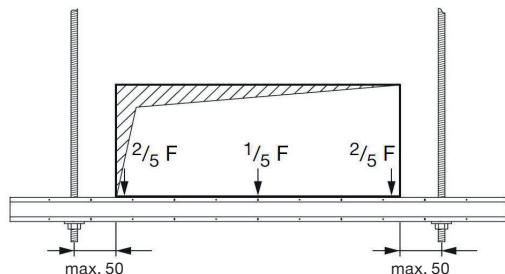
MT-closed profile



MT-40D / MT-40D OC permissible buckling load [kN]	MT-50 / MT-50 OC permissible buckling load [kN]	MT-60 / MT-60 OC permissible buckling load [kN]	MT-70 OC permissible buckling load [kN]	MT-80 OC permissible buckling load [kN]	MT-90 OC permissible buckling load [kN]	MT-100 OC permissible buckling load [kN]
87,97	55,68	68,93	99,01	128,31	219,78	350,41
80,21	47,92	52,16	90,61	118,07	210,74	336,93
72,00	39,23	36,33	81,79	107,42	202,00	323,55
62,95	30,58	25,80	72,10	95,79	193,28	310,24
53,45	23,51	19,47	61,82	83,33	184,34	296,65
44,43	18,32	15,55	51,88	70,94	175,02	282,54
36,66	14,62	12,97	43,12	59,66	165,24	267,77
30,34	11,94	11,18	35,87	50,05	155,00	252,31
25,32	9,97	9,86	30,04	42,18	144,40	236,27
21,35	8,46	8,86	25,40	35,81	133,67	219,89
18,20	7,29	8,06	21,68	30,67	123,05	203,52
15,67	6,36	7,41	18,70	26,51	112,80	187,54

Ventilation

2

Weights and channel selection for air ducts with insulation


The permissible stress $\sigma_D / \gamma G/Q$ where $\gamma = 1,4$. σ_D results from the higher yield strength (point) resulting from cold forming as per EN 1993-1-3: 2010-12: $\sigma_D = f_{yk} / \gamma_M$ where $\gamma_M = 1,1$.

- Square ventilation ducts according to DIN EN 1505 (zincod, folded) with insulation (30mm aluminium laminated rock wool)
- The stated weights are approximate values. Note the specifications from the manufacturers.

Channel selection table: weight specification for mounting distance of 3,0m.

- Weight in [kg / 3 m] calculated considering width/ height [mm] and sheet thickness [mm].
- Canal-connection Air duct connection parts (frame) are considered with a flat rate factor.

Used limits are:

- permissible stress capacity limit
- max allowable deflection of $L/200$
- lateral torsional buckling

Table is in kg for spacing of 3m

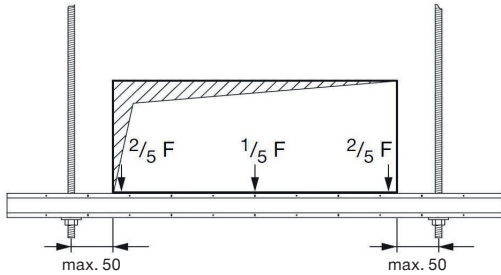
Sheet 0,75			Sheet 0,88						Sheet 1,0			
200	224	250	280	315	355	400	450	500	560	630	710	800
22,7	23,9	25,2	30,1	32,2	34,7	37,6	40,7	43,8	53,0	57,8	63,4	69,7
	25,1	26,4	31,6	33,7	36,3	39,1	42,2	45,3	54,6	59,5	65,1	71,3
		27,7	33,2	35,4	37,9	40,7	43,8	47,0	56,4	61,3	66,9	73,2
			35,1	37,3	39,8	42,6	45,7	48,8	58,5	63,4	69,0	75,2
				39,4	41,9	44,8	47,9	51,0	61,0	65,8	71,4	77,7
					44,5	47,3	50,4	53,5	63,8	68,6	74,2	80,5
						50,1	53,2	56,3	66,9	71,8	77,3	83,6
							56,3	59,5	70,4	75,2	80,8	87,1
								62,6	73,9	78,7	84,3	90,6
									78,0	82,9	88,5	94,8
										87,8	93,4	99,6
											98,9	105,2
												111,5

	MT-10
	MT-15
	MT-30
	MT-20 STANDING
	MT-40T
	MT-40
	MT-50
	MT-60
	MT-40D

		Sheet 1,13						Sheet 1,25				
900	1000	1120	1250	1400	1600	1800	2000	2240	2500	2800	3150	B/H
76,6	83,6	102,1	112,1	123,7	139,2	154,7	170,1	234,7	259,7	288,5		200
78,3	85,3	103,9	114,0	125,6	141,0	156,5	172,0	237,0	262,0	290,8		224
80,1	87,1	105,9	116,0	127,6	143,1	158,5	174,0	239,5	264,5	293,3		250
82,2	89,2	108,3	118,3	129,9	145,4	160,8	176,3	242,3	267,3	296,2		280
84,7	91,6	111,0	121,0	132,6	148,1	163,6	179,0	245,7	270,7	299,6		315
87,4	94,4	114,1	124,1	135,7	151,2	166,6	182,1	249,6	274,6	303,4		355
90,6	97,5	117,5	127,6	139,2	154,7	170,1	185,6	253,9	278,9	307,7		400
94,1	101,0	121,4	131,5	143,1	158,5	174,0	189,5	258,7	283,7	312,5		450
97,5	104,5	125,3	135,3	146,9	162,4	177,9	193,3	263,5	288,5	317,4		500
101,7	108,7	129,9	140,0	151,6	167,0	182,5	198,0	269,3	294,3	323,1		560
106,6	113,6	135,3	145,4	157,0	172,4	187,9	203,4	276,0	301,0	329,9		630
112,2	119,1	141,5	151,6	163,2	178,6	194,1	209,6	283,7	308,7	337,6		710
118,4	125,4	148,5	158,5	170,1	185,6	201,1	216,5	292,4	317,4	346,2		800
125,4	132,4	156,2	166,3	177,9	193,3	208,8	224,3	302,0	327,0	355,8		900
	139,4	163,9	174,0	185,6	201,1	216,5	232,0	311,6	336,6	365,4		1000
		173,2	183,3	194,9	210,3	225,8	241,3	323,1	348,1			1120
		183,3	193,3	204,9	220,4	235,9	251,3	335,6	360,6			1250
		194,9	204,9	216,5	232,0	247,5	262,9	350,1	375,1			1400
		210,3	220,4	232,0	247,5	262,9	278,4	369,3	394,3			1600
		225,8	235,9	247,5	262,9	278,4	293,8	388,5	413,5			1800
		241,3	251,3	262,9	278,4	293,8	309,3	407,8	432,8			2000
		259,8	269,9	281,5	296,9	312,4	327,9	430,8	455,8			2240
		279,9	290,0	301,6	317,0	332,5	348,0	455,8				2500
		303,1	313,2	324,8	340,2	355,7	371,2	484,7				2800
		330,2	340,2	351,8	367,3	382,8	398,2	518,3				3150

Ventilation

2

Weights and channel selection for air ducts without insulation


The permissible stress $\sigma_D / \gamma_G / Q$ where $\gamma = 1.4$. σ_D results from the higher yield strength (point) resulting from cold forming as per EN 1993-1-3: 2010-12: $\sigma_D = f_{yk} / \gamma_M$ where $\gamma_M = 1.1$.

- Square ventilation ducts according to DIN EN 1505 (zincd, folded)
- The stated weights are approximate values. Note the specifications from the manufacturers.

Channel selection table: weight specification for mounting distance of 3,0m.

- Weight in [kg / 3 m] calculated considering width/ height [mm] and sheet thickness [mm].
- Canal-connection Air duct connection parts (frame) are considered with a flat rate factor.

Used limits are:

- permissible stress capacity limit
- max allowable deflection of $L / 200$.
- lateral torsional buckling

Table is in kg for spacing of 3m.

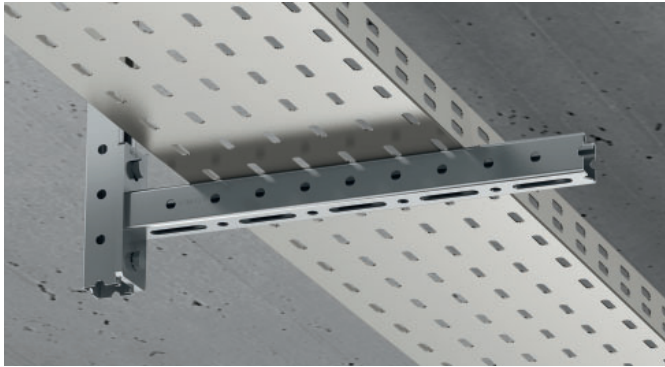
Sheet 0,75			Sheet 0,88						Sheet 1,0			
200	224	250	280	315	355	400	450	500	560	630	710	800
18,4	19,3	20,3	24,9	26,7	28,8	31,1	33,7	36,3	44,7	48,9	53,6	58,9
	20,3	21,3	26,1	27,9	30,0	32,3	34,9	37,5	46,2	50,3	55,0	60,3
		22,3	27,5	29,3	31,3	33,7	36,3	38,9	47,7	51,8	56,5	61,8
			29,0	30,8	32,9	35,2	37,8	40,4	49,5	53,6	58,3	63,6
				32,6	34,7	37,0	39,6	42,2	51,5	55,6	60,3	65,6
					36,8	39,1	41,7	44,3	53,9	58,0	62,7	68,0
						41,4	44,0	46,6	56,5	60,6	65,4	70,7
							46,6	49,2	59,5	63,6	68,3	73,6
								51,8	62,4	66,5	71,2	76,5
									65,9	70,1	74,8	80,1
										74,2	78,9	84,2
											83,6	88,9
												94,2

	MT-10
	MT-15
	MT-30
	MT-20 STANDING
	MT-40T
	MT-40
	MT-50
	MT-60
	MT-40D

		Sheet 1,13						Sheet 1,25				
900	1000	1120	1250	1400	1600	1800	2000	2240	2500	2800	3150	B/H
64,8	70,7	87,8	96,5	106,4	119,8	133,1	146,4	208,3	230,5	256,1	286,0	200
66,2	72,1	89,4	98,1	108,0	121,3	134,7	148,0	210,3	232,5	258,2	288,0	224
67,7	73,6	91,1	99,8	109,8	123,1	136,4	149,7	212,6	234,8	260,4	290,3	250
69,5	75,4	93,1	101,8	111,8	125,1	138,4	151,7	215,1	237,3	262,9	292,8	280
71,5	77,4	95,5	104,1	114,1	127,4	140,7	154,0	218,1	240,3	265,9		315
73,9	79,8	98,1	106,8	116,8	130,1	143,4	156,7	221,5	243,7	269,3		355
76,5	82,4	101,1	109,8	119,8	133,1	146,4	159,7	225,4	247,6	273,2		400
79,5	85,4	104,5	113,1	123,1	136,4	149,7	163,0	229,6	251,8	277,4		450
82,4	88,3	107,8	116,4	126,4	139,7	153,0	166,3	233,9	256,1	281,7		500
86,0	91,8	111,8	120,4	130,4	143,7	157,0	170,3	239,0	261,2	286,8		560
90,1	96,0	116,4	125,1	135,1	148,4	161,7	175,0	245,0	267,2	292,8		630
94,8	100,7	121,7	130,4	140,4	153,7	167,0	180,3	251,8	274,0	299,6		710
100,1	106,0	127,7	136,4	146,4	159,7	173,0	186,3	259,5	281,7	307,3		800
106,0	111,9	134,4	143,0	153,0	166,3	179,6	192,9	268,1	290,3	315,9		900
	117,8	141,0	149,7	159,7	173,0	186,3	199,6	276,6	298,8	324,4		1000
		149,0	157,7	167,7	181,0	194,3	207,6	286,8	309,0	334,6		1120
		157,7	166,3	176,3	189,6	202,9	216,2	297,9	320,1	345,7		1250
		167,7	176,3	186,3	199,6	212,9	226,2	310,7	332,9	358,5		1400
		181,0	189,6	199,6	212,9	226,2	239,5	327,8	350,0			1600
		194,3	202,9	212,9	226,2	239,5	252,8	344,9	367,1			1800
		207,6	216,2	226,2	239,5	252,8	266,1	362,0	384,2			2000
		223,5	232,2	242,2	255,5	268,8	282,1	382,5	404,6			2240
		240,8	249,5	259,5	272,8	286,1	299,4	404,6	426,8			2500
		260,8	269,4	279,4	292,7	306,0	319,3	430,3	452,5			2800
		284,1	292,7	302,7	316,0	329,3	342,6	460,1				3150

MT Brackets

3


Applications

- Supporting pipe rings, ventilation ducts, cable trays and other MEP support hardware
- Mounting light-duty MEP installations on concrete and steel
- Suitable for use in dry, indoor environments

Advantages

- Part of the Hilti MT system – an economical, all-in-one solution for virtually all modular MEP support structures
- Economical – high load/weight ratio and rapid assembly make MT strut channel a more efficient alternative to welded MEP support structures
- Easy to install – compatible with the Hilti MT Twist-Lock, a faster alternative to spring nuts for assembling a modular support system

Technical data

Material composition	Q235 or better steel
Surface finish	Pre-galvanized - for dry indoor use only

MT-BR-30 300 / 450 Bracket

Order designation	Technical data	Sales pack quantity	Item number	
MT-BR-30 300	Dry indoor conditions (C1) Indoor with temporary condensation (C2)	12 pc	2271288	
MT-BR-30 450		16 pc	2271440	

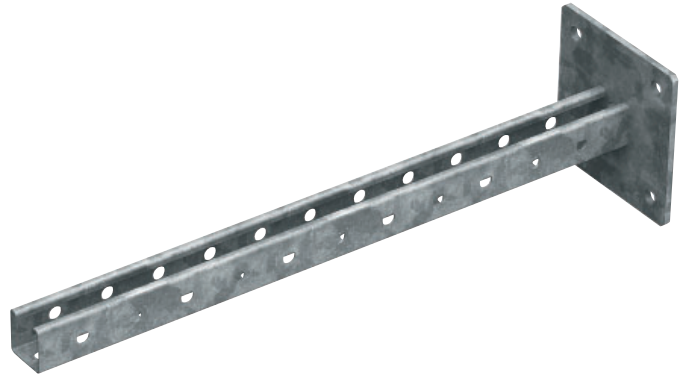
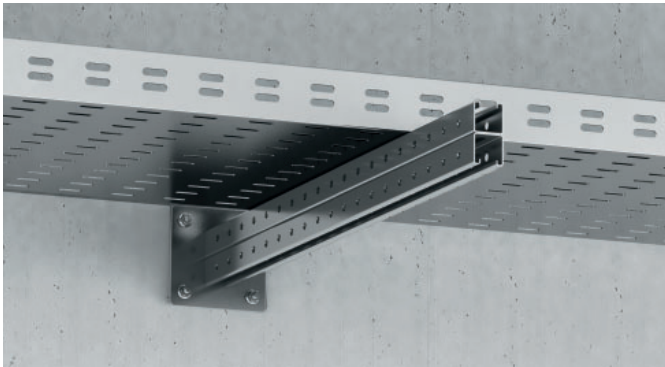
MT-BR-40 300 / 450 / 600 / 1000 Bracket

Order designation	Technical data	Sales pack quantity	Item number	
MT-BR-40 300	Dry indoor conditions (C1) Indoor with temporary condensation (C2)	10 pc	2271442	
MT-BR-40 450		10 pc	2271444	
MT-BR-40 600		10 pc	2271451	
MT-BR-40 1000		10 pc	2271446	

MT-BR-40D 600 / 1000 Bracket

Order designation	Technical data	Sales pack quantity	Item number	
MT-BR-40D 600	Dry indoor conditions (C1) Indoor with temporary condensation (C2)	6 pc	2271448	
MT-BR-40D1000		6 pc	2271450	

MT Brackets - Outdoor



Applications

- Supporting pipe rings, ventilation ducts, cable trays and other MEP support hardware
- Mounting light-duty MEP installations on concrete and steel
- Suitable for use in moderately corrosive environments

Technical data

Material composition	Q235 or better steel
Surface finish	Hot-dip galvanized (56 µm ASTM A153M) for outdoor use

Advantages

- Part of the Hilti MT system – an economical, all-in-one solution for virtually all modular MEP support structures
- Economical – high load/weight ratio and rapid assembly make MT strut channel a more efficient alternative to welded MEP support structures
- Easy to install – compatible with the Hilti MT Twist-Lock for assembling a modular support system
- Comes also with four anchorage holes versions for enhanced resistance against lateral forces

MT-BR-30 300 / 450 OC Bracket - Outdoor

Order designation	Technical data	Sales pack quantity	Item number	
MT-BR-30 300 OC	Outdoor, low to moderate pollution (C3 / C4 - low)	12 pc	2271289	
MT-BR-30 450 OC		16 pc	2271441	

MT Brackets - Outdoor

3

MT-BR-40 300 / 450 / 600 / 1000 OC Bracket - Outdoor

Order designation	Technical data	Sales pack quantity	Item number	
MT-BR-40 300 OC	Outdoor, low to moderate pollution (C3 / C4 - low)	10 pc	2271443	
MT-BR-40 450 OC		10 pc	2271445	
MT-BR-40 600 OC		10 pc	2271452	
MT-BR-40 1000 OC		10 pc	2271447	

MT-BR-40 O4 600 / 1000 OC Bracket - Outdoor

Order designation	Technical data	Sales pack quantity	Item number	
MT-BR-40 O4 600 OC	Outdoor, low to moderate pollution (C3 / C4 - low)	4 pc	2271455	
MT-BR-40 O4 1000 OC		4 pc	2271456	

MT-BR-40D 600 / 1000 OC Bracket - Outdoor

Order designation	Technical data	Sales pack quantity	Item number	
MT-BR-40D 600	Outdoor, low to moderate pollution (C3 / C4 - low)	6 pc	2271449	
MT-BR-40D 1000		6 pc	2271453	

MT-BR-40D O4 600 / 1000 / 1500 OC Bracket - Outdoor

Order designation	Technical data	Sales pack quantity	Item number	
MT-BR-40D O4 600 OC	Outdoor, low to moderate pollution (C3 / C4 - low)	4 pc	2271459	
MT-BR-40D O4 1000 OC		4 pc	2271461	
MT-BR-40D O4 1500 OC		2 pc	2271287	

MT Brackets - Outdoor

Technical data for brackets (Hot-dip galvanized)

Bracket without bracing	L [mm]					
		HST3 M10 / HUS3-H / HUS4-H 8	HST3 M10 / HUS3-H / HUS4-H 8	HST3 M10 / HUS3-H / HUS4-H 8	HST3 M10 / HUS3-H / HUS4-H 8	HST3 M10 / HUS3-H / HUS4-H 8
		F1 N	F1 N	F1 N	F2 N	F3 N
MT-BR-30/300 / OC	300	549	549	362	274	183
MT-BR-30/450 / OC	450	433	433	249	217	144

Technical data for brackets (Hot-dip galvanized)

Bracket without bracing	L [mm]					
		HST3 M12 / HUS3-H / HUS4-H	HST3 M12 / HUS3-H / HUS4-H	HST3 M12 / HUS3-H / HUS4-H	HST3 M12 / HUS3-H / HUS4-H	HST3 M12 / HUS3-H / HUS4-H
		F1 N	F1 N	F1 N	F2 N	F3 N
MT-BR-40/300 / OC	300	2491	2491	1568	1246	830
MT-BR-40/450 / OC	450	1921	1921	1142	960	640
MT-BR-40/600 / OC	600	1561	1561	669	781	520
MT-BR-40/1000 / OC	1000	629	755	236	354	229
MT-BR-40 O4/600 OC	600	1416	1416	669	708	472
MT-BR-40 O4/1000 OC	1000	629	755	236	354	229
MT-BR-40D/600 / OC	600	2428	2428	1365	1214	809
MT-BR-40D/1000 / OC	1000	1579	1579	851	789	526
MT-BR-40D O4/600 OC	600	3511	3511	2035	1755	1170
MT-BR-40D O4/1000 OC	1000	2347	2347	1246	1174	782
MT-BR-40D O4/1500 OC	1500	1441	1642	540	810	524

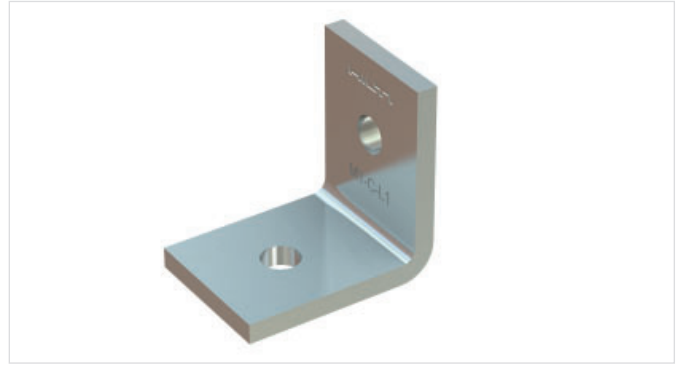
Design resistance

anchors HST3 M12 with anchorage depth of hef=70mm
 anchors HST3 M10 with anchorage depth of hef=60mm
 anchors HUS3H 10 with anchorage depth of hef=67mm
 anchors HUS3H 8 with anchorage depth of hef=55mm
 cracked concrete ³ C20/25
 anchor resistance based on infinite edge distance
 all holes must be filled with Hilti HIT-HY dynamic set
 all anchors must work for shear, therefore holes must be filled with Hilti HIT-HY dynamic set
 maximum deflection of L/150 considered
 self weight of channel considered

MT Open C-channel (Strut) Connectors

90° Connectors

4



Applications

- Right-angle connections between any MT profiles
- Assembling 2D metal framing for MEP support structures with light loads
- Suitable for use in dry, indoor environments

Technical data

Material composition	see detailed table
Surface finish	Pre-galvanized - for dry indoor use only

Advantages

- Part of the Hilti MT system – an economical, all-in-one solution for virtually all modular MEP support structures
- Easy to install – compatible with the Hilti MT Twist-Lock, a faster alternative to spring nuts for assembling a modular support system
- Adaptable – unlike welding, angle brackets allow you to modify strut channel framing during installation and for future MEP requirements
- MT-C-T 3D connectors provide 3D frame possibilities
- MT-C-T/1 provides an alternative to using vertical double channels
- MT-C-T A has a threaded hole on its short face, enabling the easy fixation of C-channels through the backside using a MT-CTAB bolt

MT-C-L1 Connector

Order Designation	Material composition	Technical data	Sales pack quantity	Item number	
MT-C-L1	Q355 or better steel	Dry indoor conditions (C1) Indoor with temporary condensation (C2)	20 pc	2271514	

MT-C-L2 Connector

Order Designation	Material composition	Technical data	Sales pack quantity	Item number	
MT-C-L2	Q355 or better steel	Dry indoor conditions (C1) Indoor with temporary condensation (C2)	20 pc	2271518	

MT Open C-channel (Strut) Connectors

90° Connectors

MT-C-LL1 Connector

Order Designation	Material composition	Technical data	Sales pack quantity	Item number	
MT-C-LL1	Q355 or better steel	Dry indoor conditions (C1) Indoor with temporary condensation (C2)	10 pc	2272047	

MT-C-LL2 Connector

Order Designation	Material composition	Technical data	Sales pack quantity	Item number	
MT-C-LL2	Q355 or better steel	Dry indoor conditions (C1) Indoor with temporary condensation (C2)	10 pc	2272051	

MT-C-T/2 Connector

Order Designation	Material composition	Technical data	Sales pack quantity	Item number	
MT-C-T/2	Q355 or better steel	Dry indoor conditions (C1) Indoor with temporary condensation (C2)	15 pc	2272054	

MT-C-T A Connector

Order Designation	Material composition	Technical data	Sales pack quantity	Item number	
MT-C-T A	Q355 or better steel	Dry indoor conditions (C1) Indoor with temporary condensation (C2)	20 pc	2272056	

MT Open C-channel (Strut) Connectors

90° Connectors

MT-C-T/1 Connector

Order Designation	Material composition	Technical data	Sales pack quantity	Item number	
MT-C-T/1	Q355 or better steel	Dry indoor conditions (C1) Indoor with temporary condensation (C2)	20 pc	2272040	

MT-C-T 3D/2 Connector

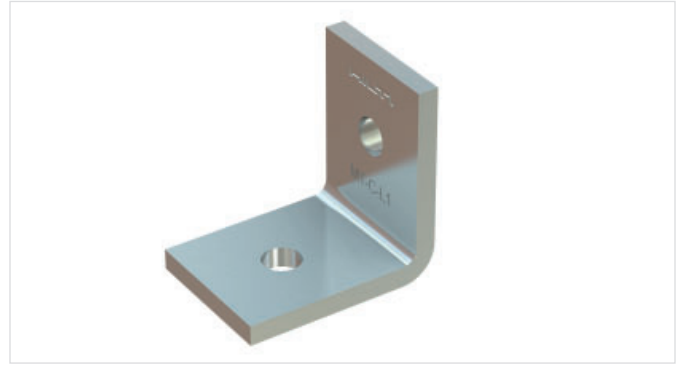
Order Designation	Material composition	Technical data	Sales pack quantity	Item number	
MT-C-T 3D/2	Q355 or better steel	Dry indoor conditions (C1) Indoor with temporary condensation (C2)	10 pc	2272058	

MT-C-T 3D/3 Connector

Order Designation	Material composition	Technical data	Sales pack quantity	Item number	
MT-C-T 3D/3	Q355 or better steel	Dry indoor conditions (C1) Indoor with temporary condensation (C2)	10 pc	2272060	

MT Open C-channel (Strut) Connectors

90° Connectors - Outdoor



4

Applications

- Right-angle connections between any MT profiles
- Assembling 2D metal framing for MEP support structures with light loads
- Suitable for use in moderately corrosive environments

Technical data

Material composition	Q355 or better steel
Surface finish	Hot-dip galvanized - for outdoor use

Advantages

- Part of the Hilti MT system – an economical, all-in-one solution for virtually all modular MEP support structures
- Easy to install – compatible with the Hilti MT Twist-Lock, a faster alternative to spring nuts for assembling a modular support system
- Adaptable – unlike welding, angle brackets allow you to modify strut channel framing during installation and for future MEP requirements
- MT-C-T 3D connectors provide 3D frame possibilities
- MT-C-T/1 provides an alternative to using vertical double channels
- MT-C-T A has a threaded hole on its short face, enabling the easy fixation of C-channels through the backside using a MT-CTAB bolt

MT-C-L1 OC Connector - Outdoor

Order Designation	Material composition	Technical data	Sales pack quantity	Item number	
MT-C-L1 OC	Q355 or better steel	Outdoor, low to moderate pollution (C3 / C4 - low)	20 pc	2271516	

MT-C-L2 OC Connector - Outdoor

Order Designation	Material composition	Technical data	Sales pack quantity	Item number	
MT-C-L2 OC	Q355 or better steel	Outdoor, low to moderate pollution (C3 / C4 - low)	20 pc	2271519	

MT Open C-channel (Strut) Connectors

90° Connectors - Outdoor

4

MT-C-LL1 OC Connector - Outdoor

Order Designation	Material composition	Technical data	Sales pack quantity	Item number	
MT-C-LL1 OC	Q355 or better steel	Outdoor, low to moderate pollution (C3 / C4 - low)	10 pc	2272049	

MT-C-LL2 OC Connector - Outdoor

Order Designation	Material composition	Technical data	Sales pack quantity	Item number	
MT-C-LL2 OC	Q355 or better steel	Outdoor, low to moderate pollution (C3 / C4 - low)	10 pc	2272053	

MT-C-T/2 OC Connector - Outdoor

Order Designation	Material composition	Technical data	Sales pack quantity	Item number	
MT-C-T/2 OC	Q355 or better steel	Outdoor, low to moderate pollution (C3 / C4 - low)	15 pc	2272055	

MT-C-T A OC Connector - Outdoor

Order Designation	Material composition	Technical data	Sales pack quantity	Item number	
MT-C-T A OC	Q355 or better steel	Outdoor, low to moderate pollution (C3 / C4 - low)	20 pc	2272057	

MT-C-T/1 OC Connector - Outdoor

Order Designation	Material composition	Technical data	Sales pack quantity	Item number	
MT-C-T/1 OC	Q355 or better steel	Outdoor, low to moderate pollution (C3 / C4 - low)	20 pc	2272042	

MT Open C-channel (Strut) Connectors

MT-C-T 3D/2 OC Connector - Outdoor

Order Designation	Material composition	Technical data	Sales pack quantity	Item number	
MT-C-T 3D/2 OC	Q355 or better steel	Outdoor, low to moderate pollution (C3 / C4 - low)	10 pc	2272059	

MT-C-T 3D/3 OC Connector - Outdoor

Order Designation	Material composition	Technical data	Sales pack quantity	Item number	
MT-C-T 3D/3 OC	Q355 or better steel	Outdoor, low to moderate pollution (C3 / C4 - low)	10 pc	2272061	

Technical data Connector

Item image	Load drawing	Order Designation	+ Fz	- Fz	± Fx	± Fy
		MT-C-L1 / MT-C-L1 OC	4,0 kN	3,3 kN	3,3 kN	-
		MT-C-L2 / MT-C-L2 OC	8,8 kN	5,7 kN	2,8 kN	1,1 kN
		MT-C-LL1 / MT-C-LL1 OC	5,9 kN	5,8 kN	5,8 kN	0,9 kN
		MT-C-LL2 / MT-C-LL2 OC	4,6 kN	4,1 kN	4,1 kN	0,6 kN

Design note

- Shown load values are recommended values with partial safety factors for actions and resistance included
- Design value = 1.4 * recommended value
- The design resistance of the products is defined in accordance with EN1993

MT Open C-channel (Strut) Connectors

90° Connectors

Technical data Connector

4

Item image	Load drawing	Order Designation	+ Fz	- Fz	± Fx	± Fy
		MT-C-T/1 / MT-C-T/1 OC	2,8 kN	3,9 kN	4,6 kN	0,9 kN
		MT-C-T/2 / MT-C-T/2 OC	2,6 kN	2,6 kN	8,1 kN	1,1 kN
		MT-C-T 3D/2 / MT-C-T 3D/2 OC	2,6 kN	1,5 kN	1,6 kN	0,5 kN
		MT-C-T 3D/3 / MT-C-T 3D/3 OC	2,2 kN	2,2 kN	3,6 kN	0,8 kN
		MT-C-T A / MT-C-T A OC	2,0 kN	2,0 kN	6,3 kN	2,0 kN

Design note

- Shown load values are recommended values with partial safety factors for actions and resistance included
- Design value = 1,4 * recommended value
- The design resistance of the products is defined in accordance with EN1993

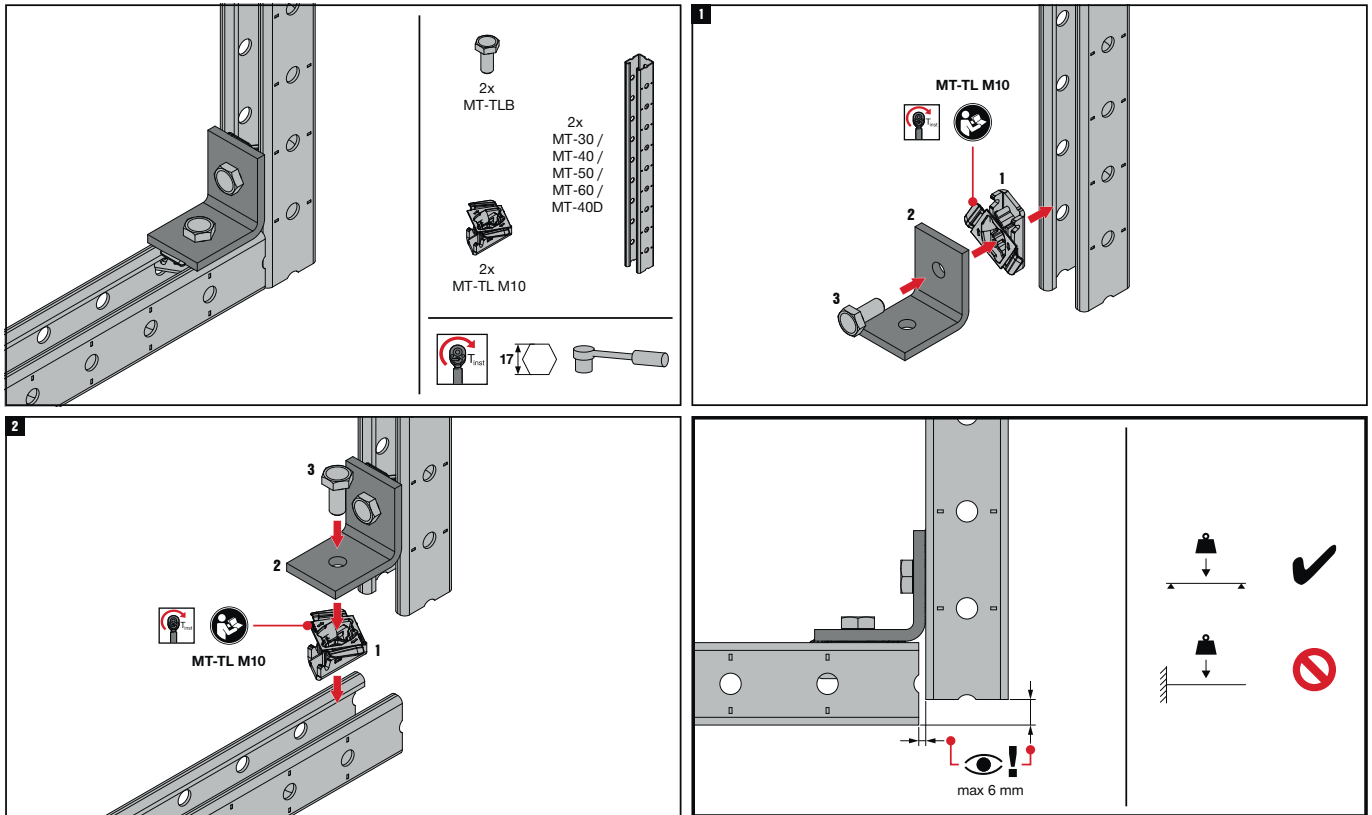
MT Open C-channel (Strut) Connectors

90° Connectors

Operation Instruction

MT-C-L1 / MT-C-L1 OC

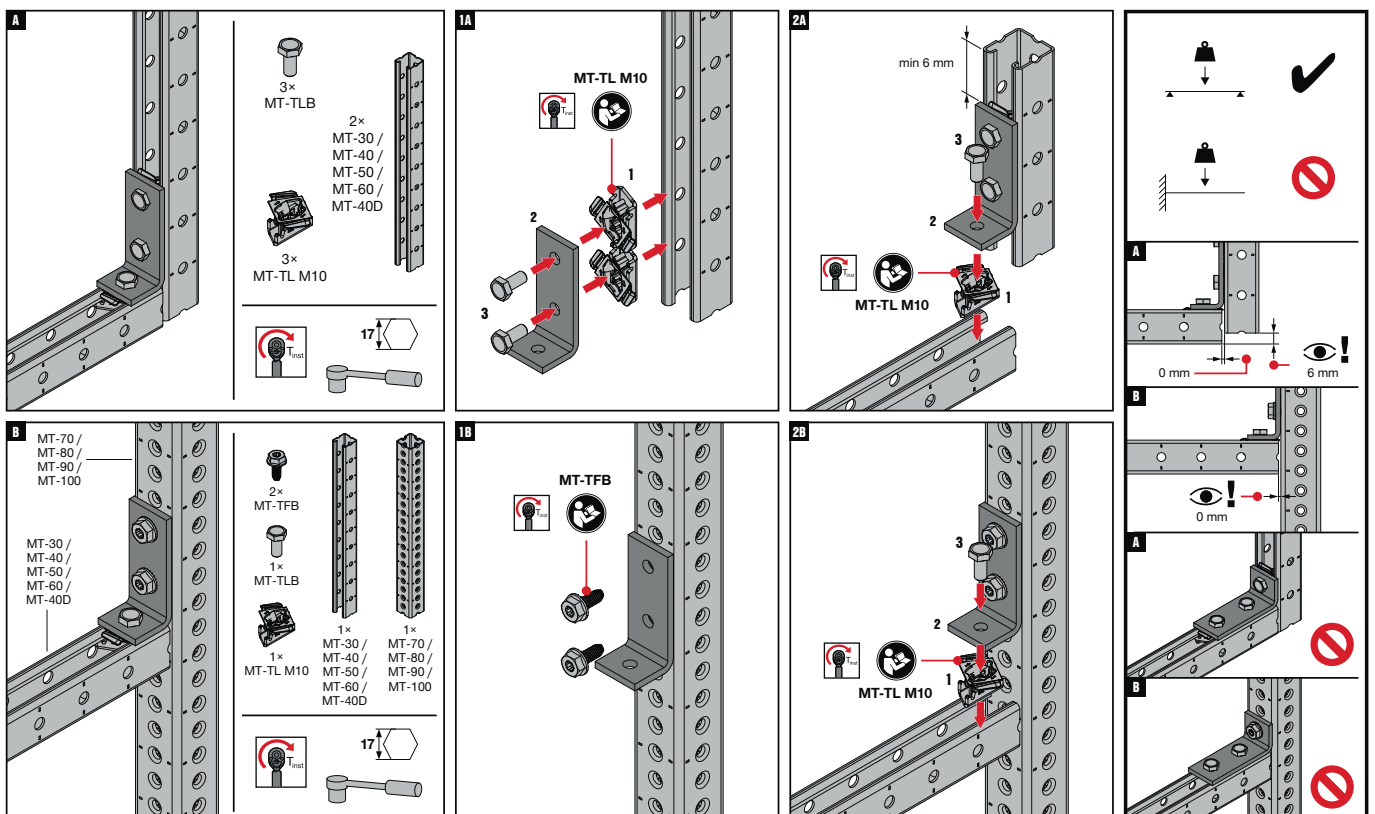
2288322-06.2020



The latest IFU (Instruction For Use) is available on Hilti Online. Please check for any revisions before installing the product.

MT-C-L2 / MT-C-L2 OC

2288323-07.2020



The latest IFU (Instruction For Use) is available on Hilti Online. Please check for any revisions before installing the product.

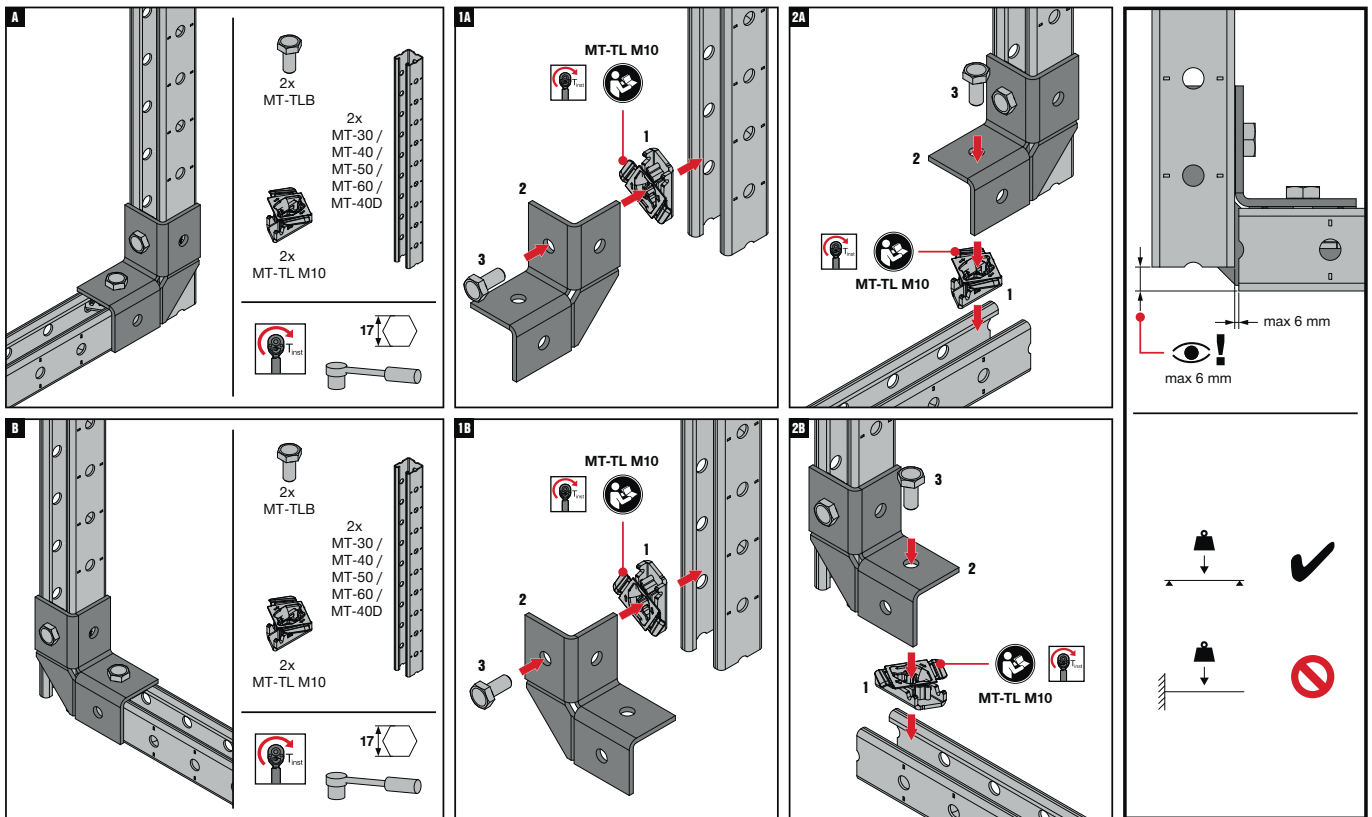
MT Open C-channel (Strut) Connectors

90° Connectors

Operation Instruction

MT-C-LL1 / MT-C-LL1 OC

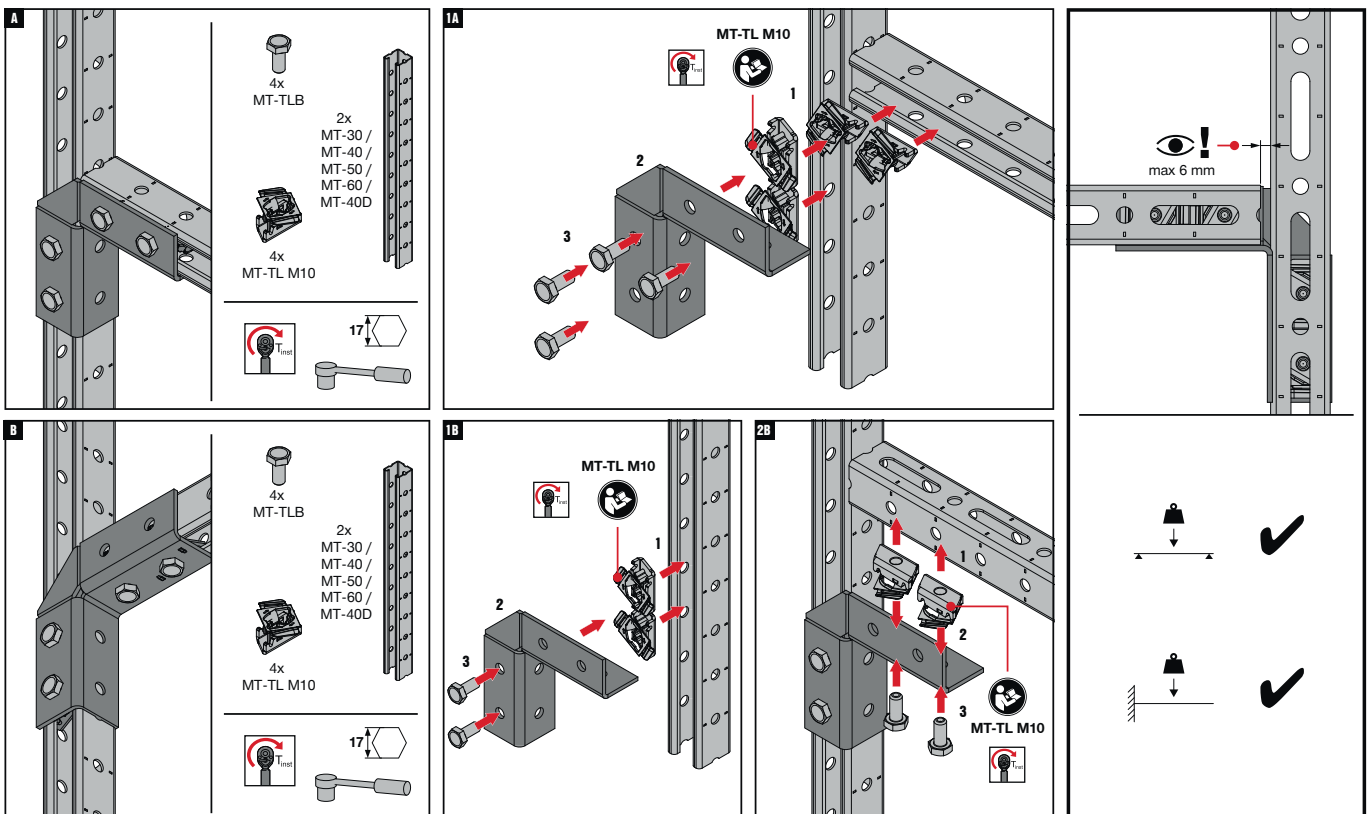
2288324-09.2020



The latest IFU (Instruction For Use) is available on Hilti Online. Please check for any revisions before installing the product.

MT-C-LL2 / MT-C-LL2 OC

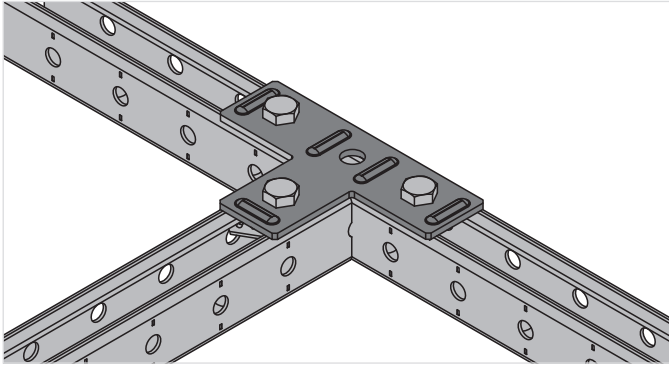
2288325-06.2020



The latest IFU (Instruction For Use) is available on Hilti Online. Please check for any revisions before installing the product.

MT Open C-channel (Strut) Connectors

Channel Ties



4

Applications

- Connecting two MT strut channels together
- Compatible with multiple MT strut channels
- Suitable for use in dry, indoor environments

Advantages

- Adjustable – easily fit and repositioned along strut channels
- Compatible with Twist-Lock channel connectors – for much faster, adaptable assembly

Technical data

Material composition	Q235 or better steel
Surface finish	Indoor Coated - Electro galvanized

MT-CT-H2 Channel Tie

Order Designation	Technical data	Sales pack quantity	Item number	
MT-CT-H2	Dry indoor conditions (C1) Indoor with temporary condensation (C2)	15 pc	2322405	

MT-CT-H4 Channel Tie

Order Designation	Technical data	Sales pack quantity	Item number	
MT-CT-H4	Dry indoor conditions (C1) Indoor with temporary condensation (C2)	15 pc	2322408	

MT Open C-channel (Strut) Connectors

Channel Ties

4

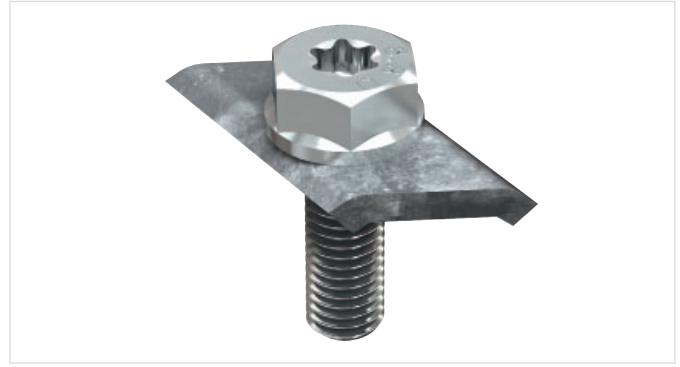
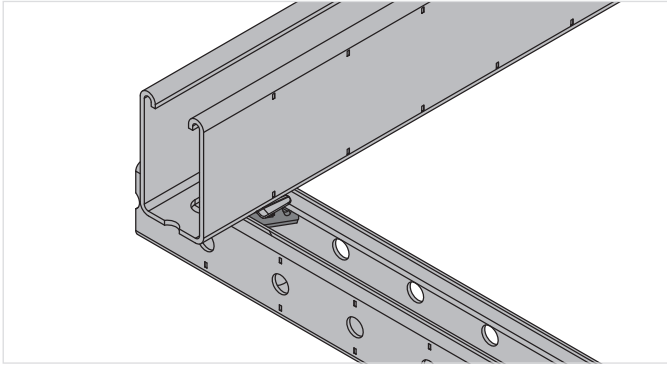
MT-CT-H5 Channel Tie

Order Designation	Technical data	Sales pack quantity	Item number	
MT-CT-H5	Dry indoor conditions (C1) Indoor with temporary condensation (C2)	8 pc	2322406	

MT-CT-T Channel Tie

Order Designation	Technical data	Sales pack quantity	Item number	
MT-CT-T	Dry indoor conditions (C1) Indoor with temporary condensation (C2)	12 pc	2322407	

MT Open C-channel (Strut) Connectors



Applications

- Fastening horizontal MT strut channel to vertical MT closed profiles, such as for integrated raised floors in data centers
- Suitable for use in dry, indoor environments

Advantages

- Part of the Hilti MT system – an economical, all-in-one solution for virtually all modular MEP support structures
- To be used with the MT-C-T A connector

Technical data

Material composition	see detailed table
Surface finish	see detailed table

MT-C-T A Connector

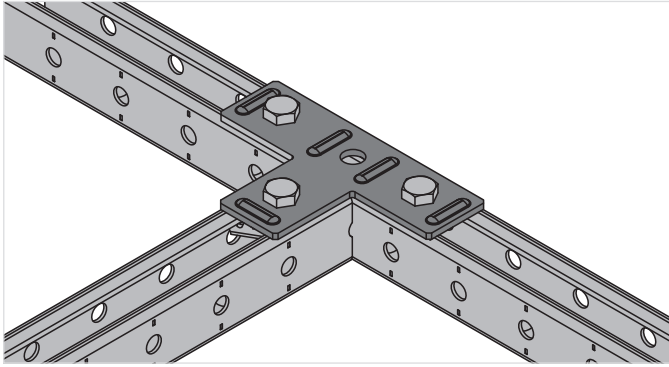
Order Designation	Material composition	Surface finish	Technical data	Sales pack quantity	Item number	
MT-C-T A	Q355 or better steel	Pre-galvanized - for dry indoor use only	Dry indoor conditions (C1) Indoor with temporary condensation (C2)	20 pc	2272056	

MT-CTAB Connector Bolt

Order Designation	Material composition	Surface finish	Technical data	Sales pack quantity	Item number	
MT-CTAB	Q355 or better steel	Indoor Coated - Electro galvanized	Dry indoor conditions (C1) Indoor with temporary condensation (C2)	100pc	2332797	

MT Open C-channel (Strut) Connectors - Outdoor Channel Ties

4



Applications

- Connecting two MT strut channels together
- Suitable for use in moderately corrosive environments

Advantages

- Adjustable – easily fit and repositioned along strut channels
- Compatible with Twist-Lock channel connectors – for much faster, adaptable assembly

Technical data

Material composition	Q235 or better steel
Surface finish	Outdoor Coated - HDG

MT-CT-H2 OC Channel Tie - Outdoor

Order Designation	Technical Data	Sales pack quantity	Item number	
MT-CT-H2 OC	Outdoor, low to moderate pollution (C3 / C4 - low)	15 pc	2322409	

MT-CT_H4 OC Channel Tie - Outdoor

Order Designation	Technical Data	Sales pack quantity	Item number	
MT-CT-H4 OC	Outdoor, low to moderate pollution (C3 / C4 - low)	15 pc	2322412	

MT Open C-channel (Strut) Connectors - Outdoor Channel Ties

MT-CT-T OC Channel Tie - Outdoor

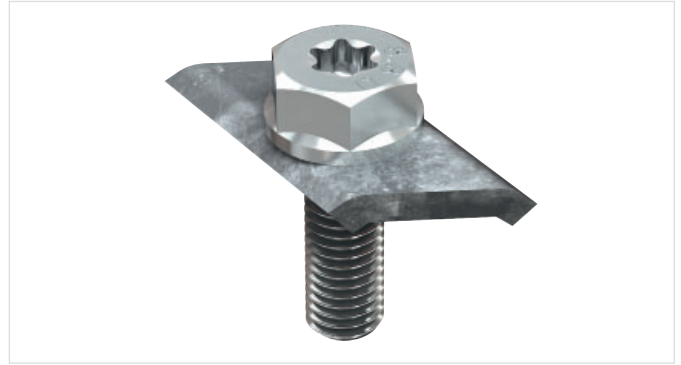
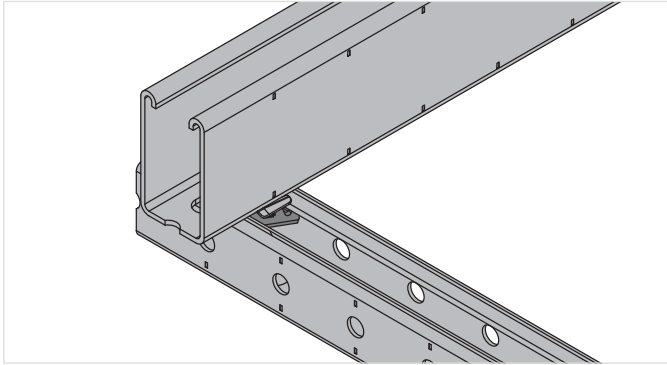
Order Designation	Technical Data	Sales pack quantity	Item number	
MT-CT-T OC	Outdoor, low to moderate pollution (C3 / C4 - low)	12 pc	2322411	

MT-CT-H5 OC Channel Tie - Outdoor

Order Designation	Technical Data	Sales pack quantity	Item number	
MT-CT-H5 CO	Outdoor, low to moderate pollution (C3 / C4 - low)	8 pc	2322410	

MT Open C-channel (Strut) Connectors

Connectors - Outdoor



Applications

- Connecting two MT strut channels together
- Suitable for use in moderately corrosive environments

Advantages

- Adjustable – easily fit and repositioned along strut channels
- To be used with the MT-C-T A connector

Technical data

Material composition	Q235 or better steel
Surface finish	Outdoor Coated - HDG

MT-C-T A OC Connector - Outdoor

Order Designation	Material composition	Technical data	Sales pack quantity	Item number	
MT-C-T A OC	Q355B - GB/T 700	Outdoor, low to moderate pollution (C3 / C4 - low)	20 pc	2272057	

MT-CTAB OC Connector Bolt - Outdoor

Order Designation	Material composition	Technical data	Sales pack quantity	Item number	
MT-CTAB OC	Q235 or better steel	Outdoor, low to moderate pollution (C3 / C4 - low)	100 pc	2332788	

MT Open C-channel (Strut) Connectors

Channel Ties

Technical data MT Channel Ties

Item image	Load drawing	Order Designation	+ Fz	± Fx	± Fy
		MT-CT-H2 / MT-CT-H2 OC	1,8 kN	2,6 kN	1,8 kN
		MT-CT-H4 / MT-CT-H4 OC	5,7 kN	5,0 kN	3,6 kN
		MT-CT-H5 / MT-CT-H5 OC	2,6 kN	3,4 kN	3,4 kN
		MT-CT-T / MT-CT-T OC	2,3 kN	5,1 kN	1,6 kN

Design note

- Shown load values are recommended values with partial safety factors for actions and resistance included
- Design value = 1.4 * recommended value
- The design resistance of the products is defined in accordance with EN1993

Technical Data MT Channel Connector

Item image	Load drawing	Order Designation	+ Fz	- Fz	± Fx	± Fy
		MT-C-T A / MT-C-T A OC	2,0 kN	2,0 kN	10,0 kN	2,0 kN

Design note

- Shown load values are recommended values with partial safety factors for actions and resistance included
- Design value = 1.4 * recommended value
- The design resistance of the products is defined in accordance with EN1993

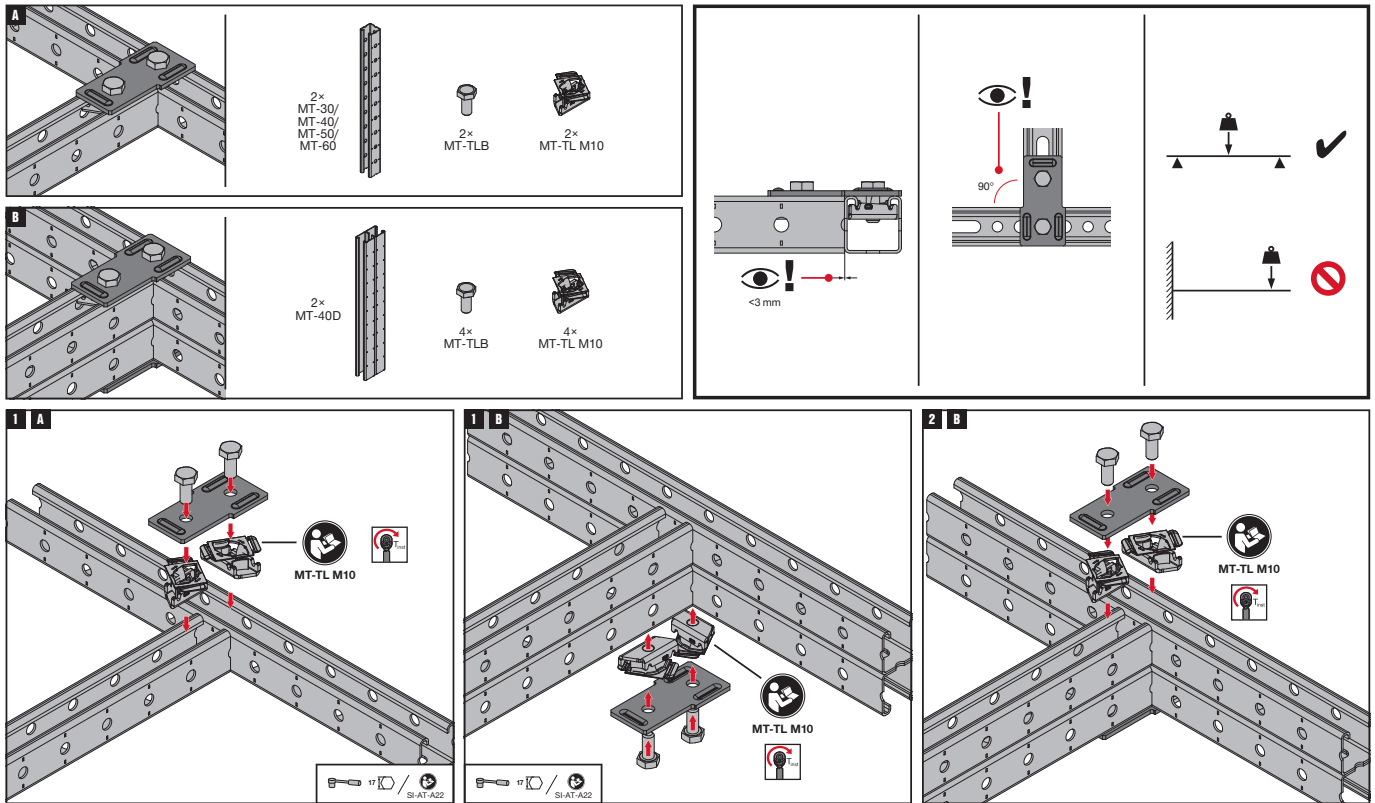
MT Open C-channel (Strut) Connectors

Channel Ties

Operation Instruction

MT-CT-H2

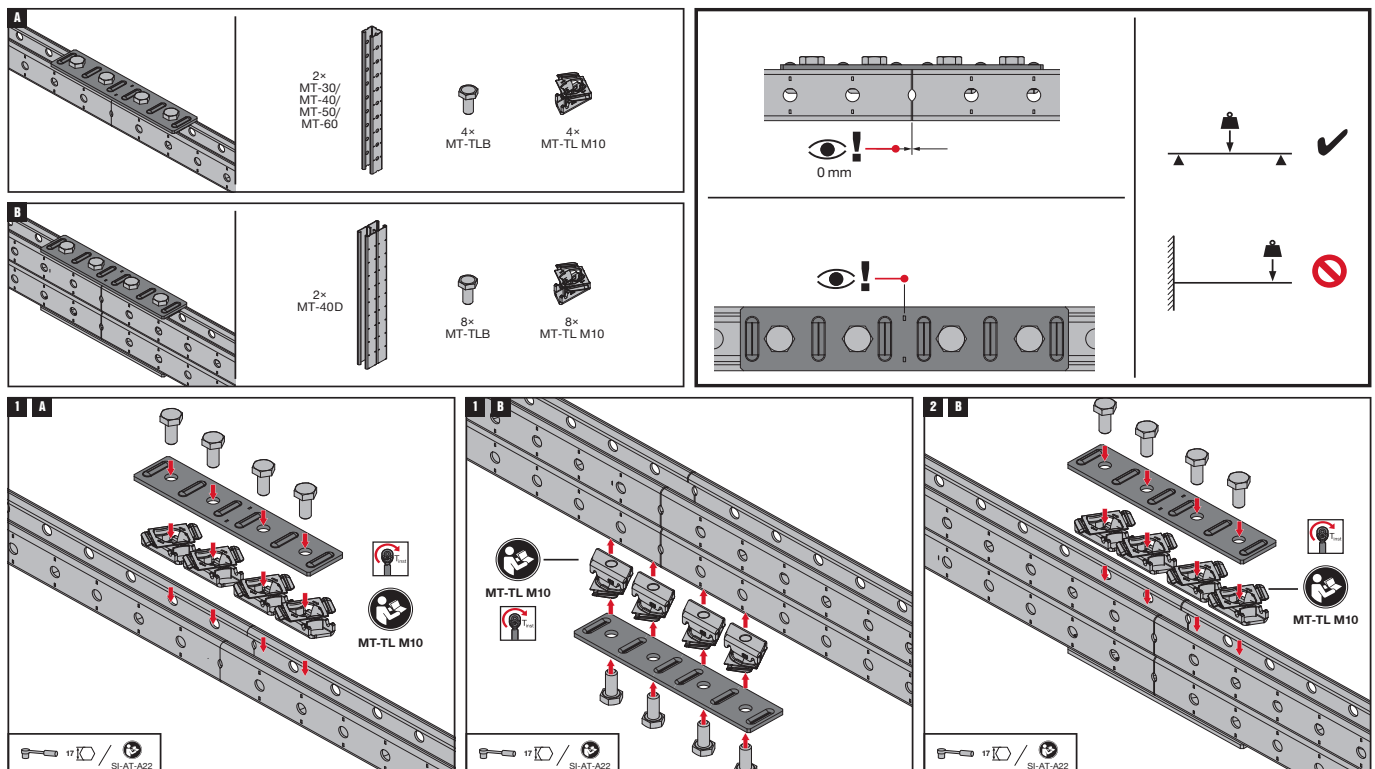
2325257-04.2021



The latest IFU (Instruction For Use) is available on Hilti Online. Please check for any revisions before installing the product.

MT-CT-H4

2327511-04.2021



The latest IFU (Instruction For Use) is available on Hilti Online. Please check for any revisions before installing the product.

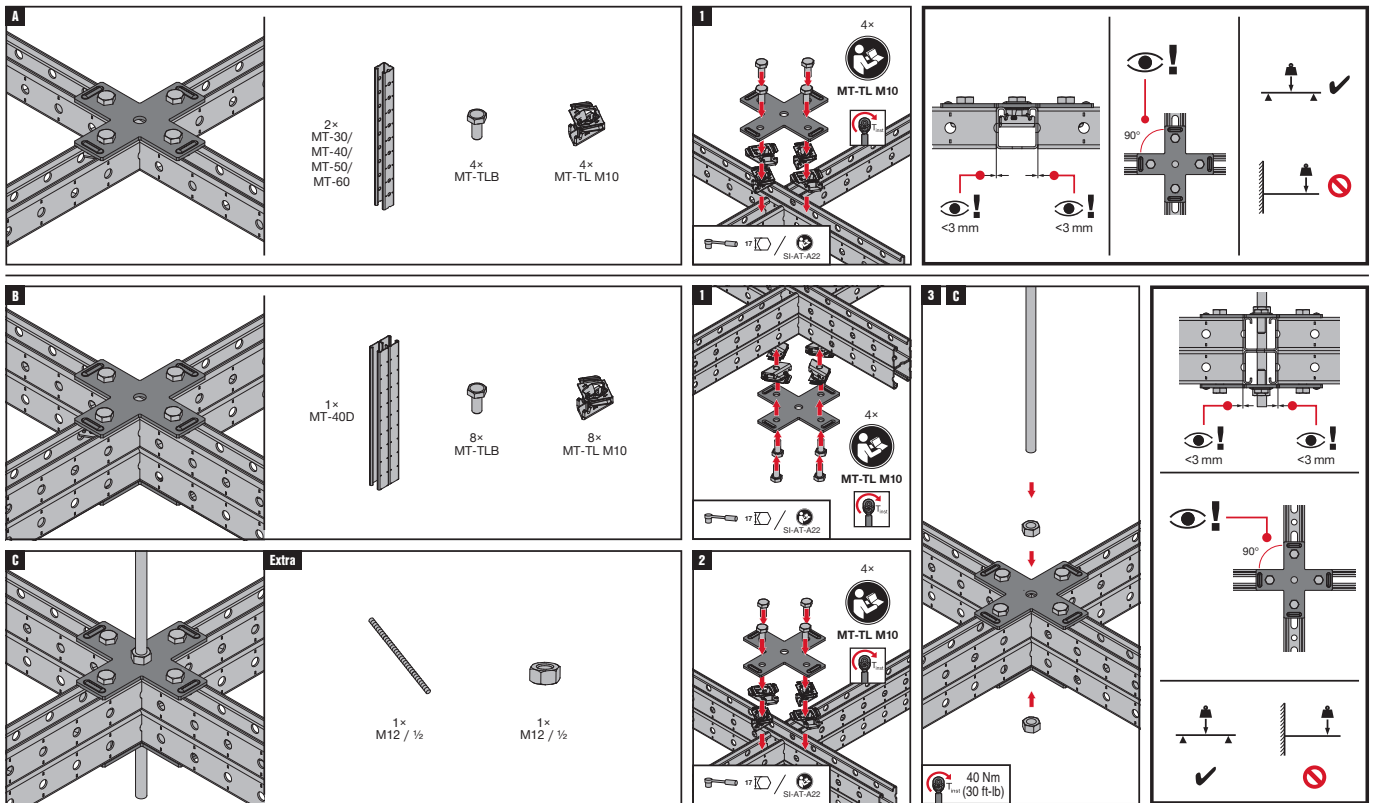
MT Open C-channel (Strut) Connectors

Channel Ties

Operation Instruction

MT-CT-H5

2325301-04.2021

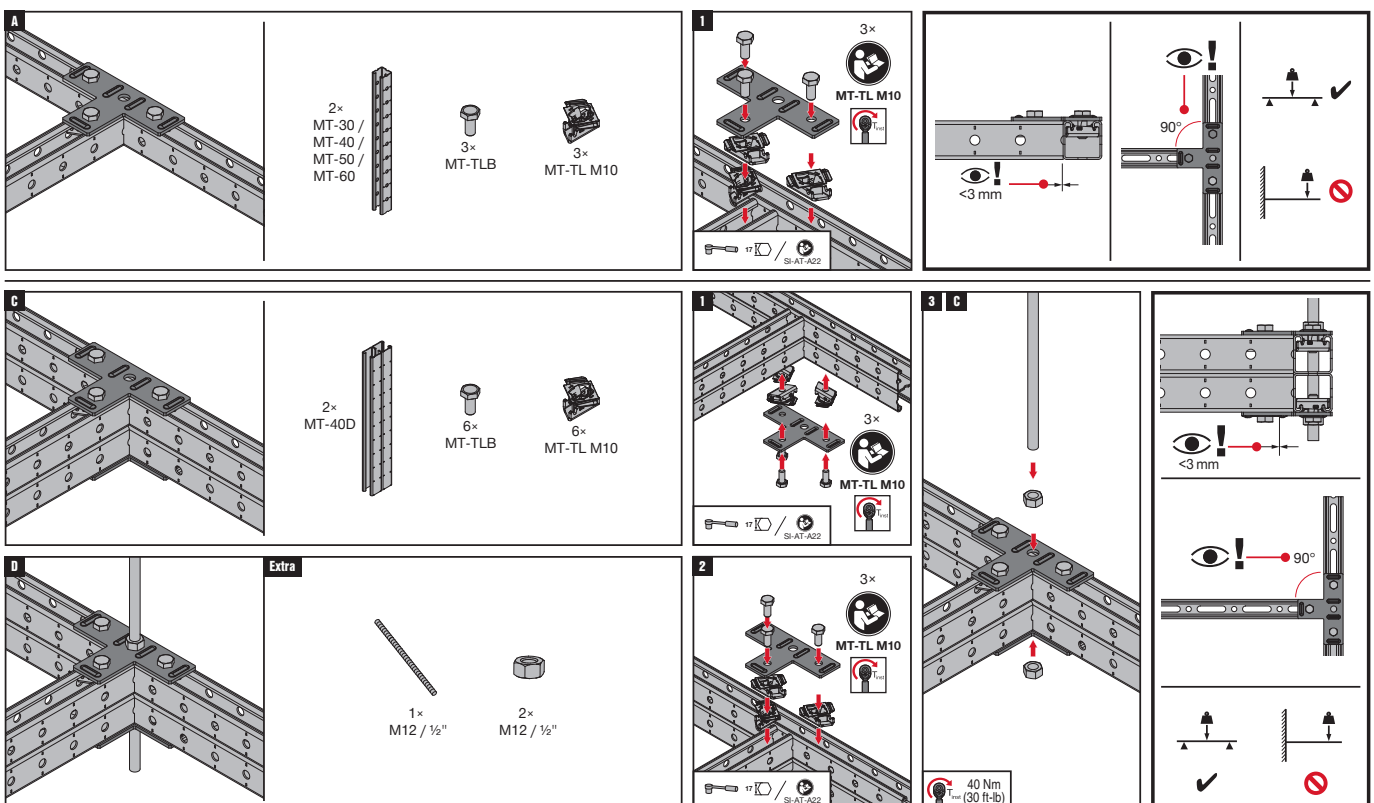


The latest IFU (Instruction For Use) is available on Hilti Online. Please check for any revisions before installing the product.

Operation Instruction

MT-CT-T

2325310-04.2021

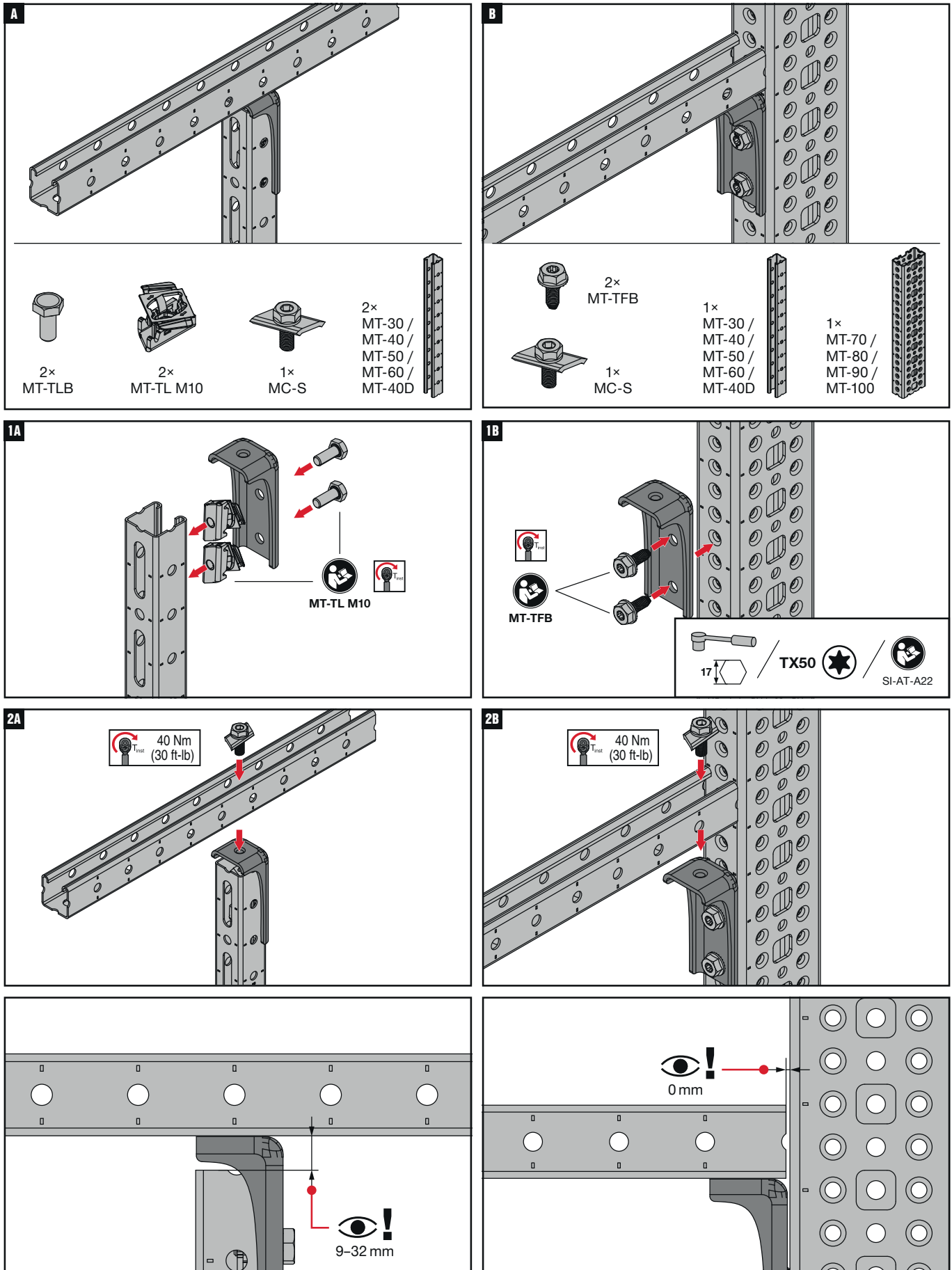


The latest IFU (Instruction For Use) is available on Hilti Online. Please check for any revisions before installing the product.

MT Open C-channel (Strut) Connectors

4

Operation Instruction MT-C-T A / MT-C-T A OC

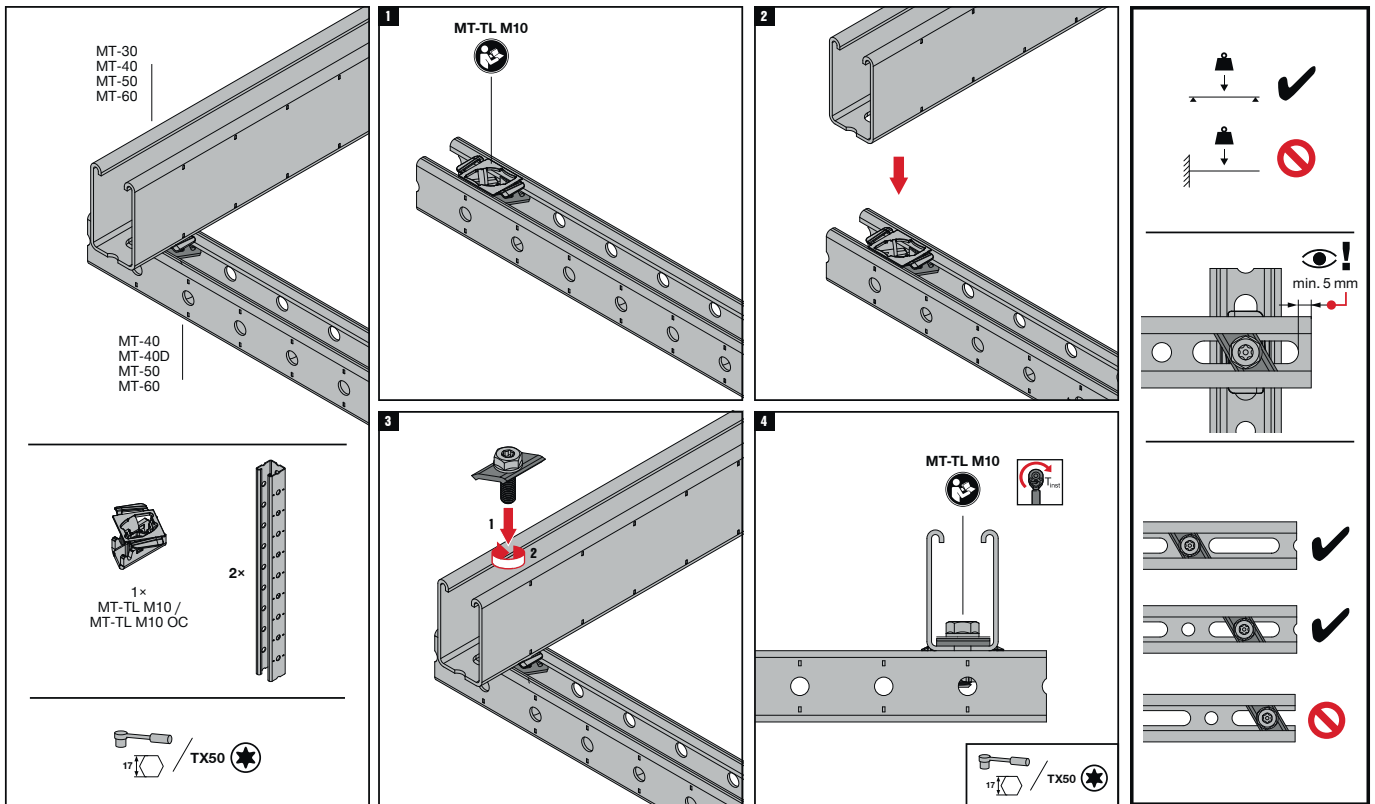


The latest IFU (Instruction For Use) is available on Hilti Online. Please check for any revisions before installing the product.

MT Open C-channel (Strut) Connectors

Operation Instruction MT-CTAB / MT-CTAB OC

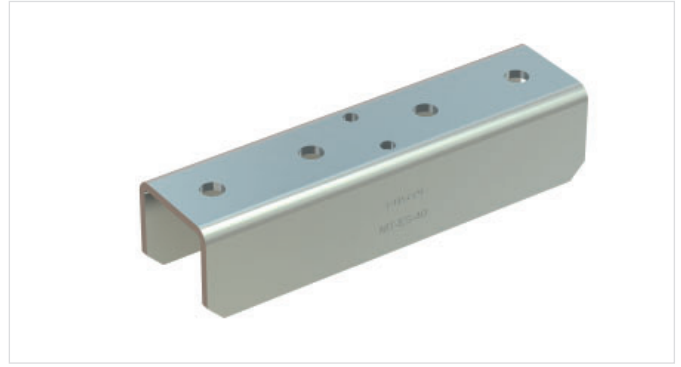
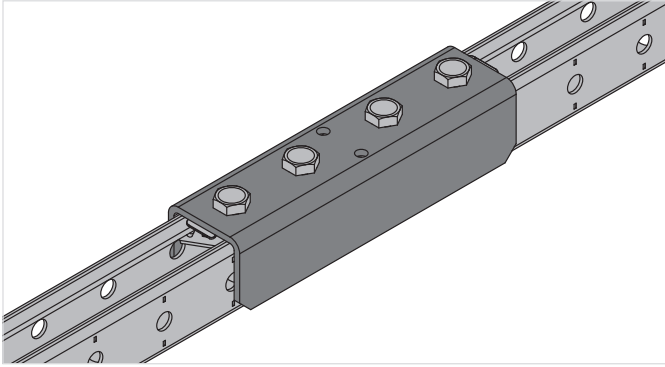
2334482-07.2021



The latest IFU (Instruction For Use) is available on Hilti Online. Please check for any revisions before installing the product.

MT Open C-channel (Strut) Connectors Splice Connectors

4



Applications

- Extending MT strut channels by fastening them together end-to-end
- Assembling metal framing for MEP support structures when longer spans or increased floor/ceiling clearance are required
- Suitable for use in dry, indoor environments

Advantages

- Part of the Hilti MT system – an economical, all-in-one solution for virtually all modular MEP support structures
- Easy to install – compatible with the Hilti MT Twist-Lock, a faster alternative to spring nuts for assembling a modular support system
- Adaptable – unlike welding, angle brackets allow you to modify strut channel framing during installation and for future MEP requirements

Technical data

Material composition	Q235 or better steel
Surface finish	Pre-galvanized - for dry indoor use only

MT-ES-40 Splice Connector

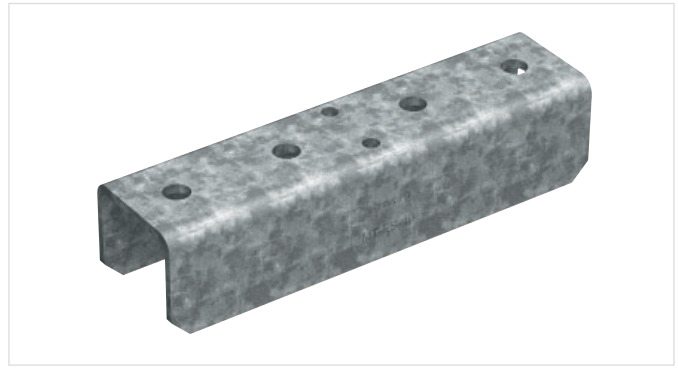
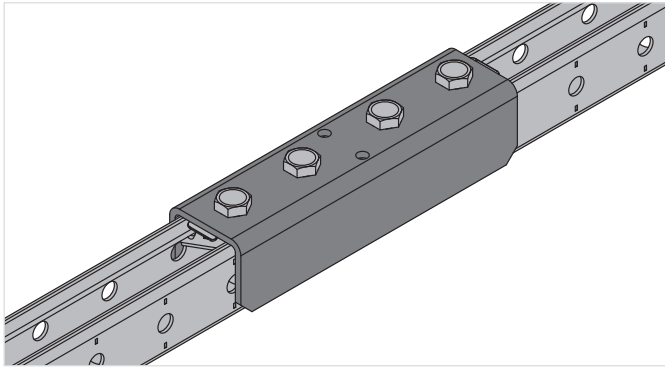
Order Designation	Technical data	Sales pack Quantity	Item number	
MT-ES-40	Dry indoor conditions (C1) Indoor with temporary condensation (C2)	12 pc	2272062	

MT-ES-60 Splice Connector

Order Designation	Technical data	Sales pack Quantity	Item number	
MT-ES-60	Dry indoor conditions (C1) Indoor with temporary condensation (C2)	8 pc	2322415	

MT Open C-channel (Strut) Connectors

Splice Connectors - Outdoor



Applications

- Extending MT strut channels by fastening them together end-to-end
- Assembling metal framing for MEP support structures when longer spans or increased floor/ceiling clearance are required
- Suitable for use in moderately corrosive environments

Advantages

- Part of the Hilti MT system – an economical, all-in-one solution for virtually all modular MEP support structures
- Easy to install – compatible with the Hilti MT Twist-Lock, a faster alternative to spring nuts for assembling a modular support system
- Adaptable – unlike welding, angle brackets allow you to modify strut channel framing during installation and for future MEP requirements

Technical data

Material composition	Q235 or better steel
Surface finish	Hot-dip galvanized - for outdoor use

MT-ES-40 OC Splice Connector - Outdoor

Order Designation	Technical data	Sales pack Quantity	Item number	
MT-ES-40 OC	Outdoor, low to moderate pollution (C3 / C4 - low)	12 pc	2272063	

MT-ES-60 OC Splice Connector - Outdoor


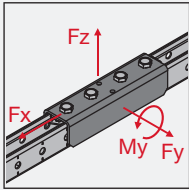

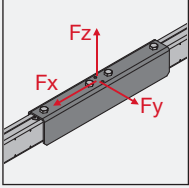
Order Designation	Technical data	Sales pack Quantity	Item number	
MT-ES-60 OC	Outdoor, low to moderate pollution (C3 / C4 - low)	8 pc	2322416	

MT Open C-channel (Strut) Connectors

Splice Connectors

4

Technical data MT Splice Connector

Item image	Load drawing	Order Designation	+ Fz	- Fz	± Fx	± Fy	± My
		MT-ES-40 / MT-ES-40 OC	10,0 kN	10,0 kN	10,0 kN	0,6 kN	0,3 kNm
		MT-ES-60 / MT-ES-60 OC	4,3 kN	3,9 kN	10,0 kN	1,1 kN	

Design note

- Shown load values are recommended values with partial safety factors for actions and resistance included
- Design value = 1.4 * recommended value
- The design resistance of the products is defined in accordance with EN1993

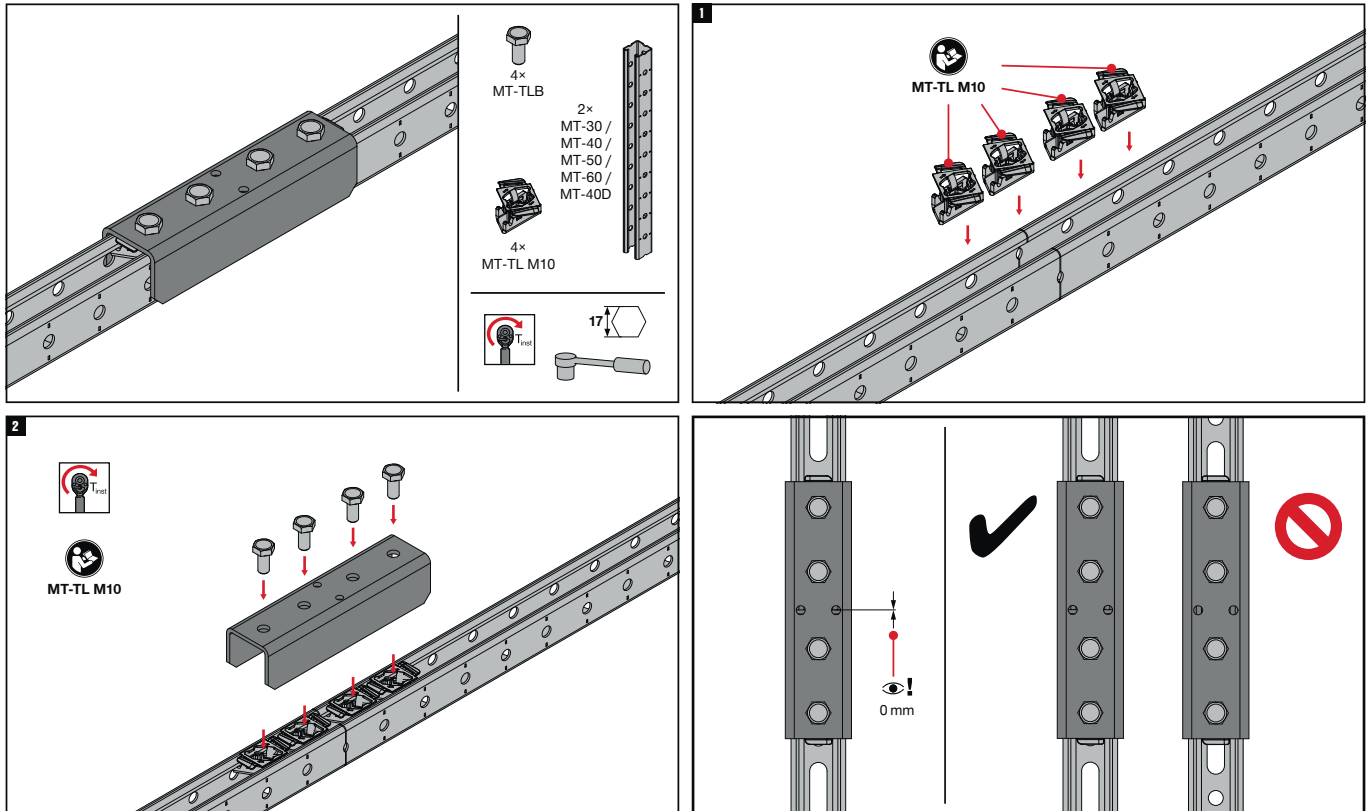
MT Open C-channel (Strut) Connectors

Splice Connectors

Operation Instruction

MT-ES-40 / MT-ES-40 OC

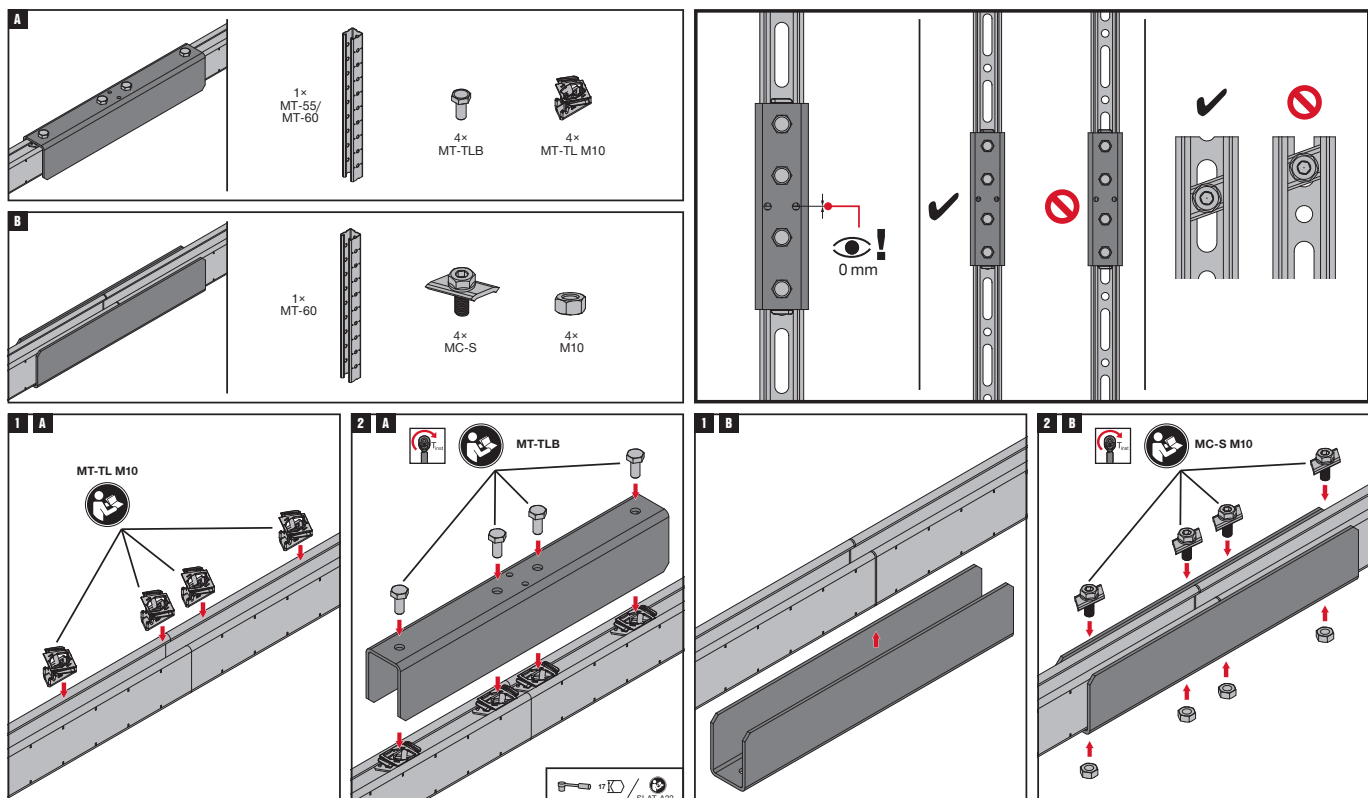
2288189-06.2020



The latest IFU (Instruction For Use) is available on Hilti Online. Please check for any revisions before installing the product.

MT-ES-60

2325098-04.2021

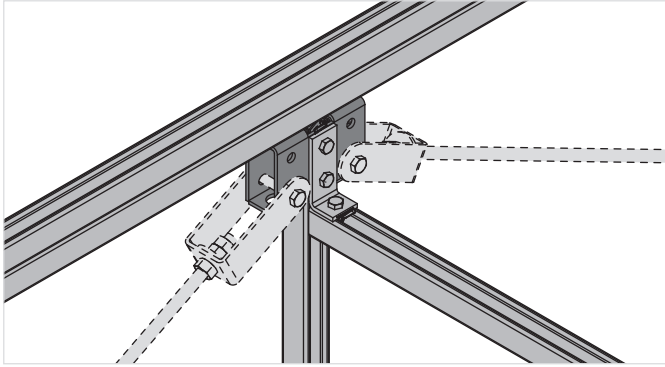


The latest IFU (Instruction For Use) is available on Hilti Online. Please check for any revisions before installing the product.

Version from 03.2023

Boundary conditions - Terms of common cooperation / Legal disclaimer and guidelines as defined at the beginning of this book need to be mandatorily respected

MT Open C-channel (Strut) Connectors Long Span Bracing



Applications

- Assembling and bracing modular support structures with longer spans

Advantages

- High load capacity – designed for threaded rod bracing for increased rigidity over long spans
- Part of the Hilti MT system – an economical, all-in-one solution for virtually all modular MEP support structures

Technical data

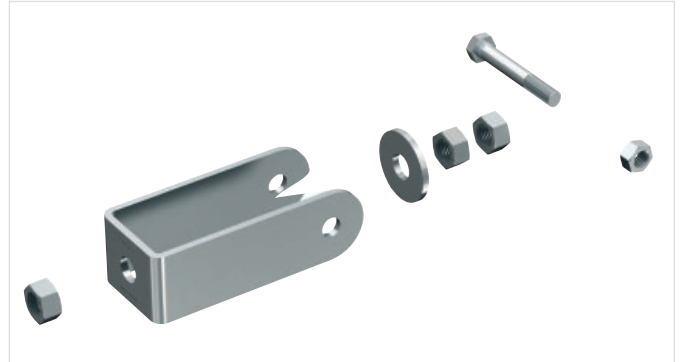
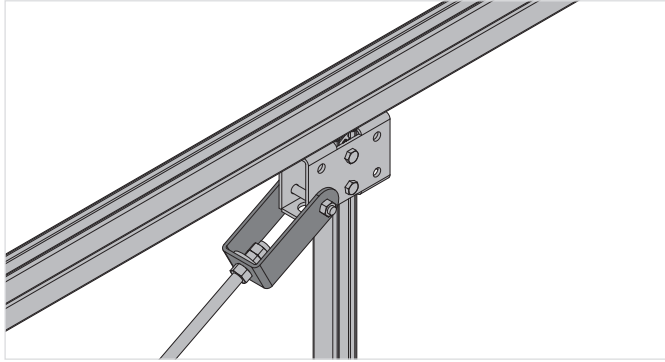
Material composition	Q235 or better steel
Surface finish	Indoor Coated - Electro galvanized

MT-C-LS Connector

Order Designation	Technical data	Sales pack Quantity	Item number	
MT-C-LS	Dry indoor conditions (C1) Indoor with temporary condensation (C2)	10 pc	2322419	

MT Open C-channel (Strut) Connectors

Long Span Bracing



Applications

- Bracing modular support structures with longer spans

Technical data

Material composition	Q235 or better steel
Surface finish	Indoor Coated - Electro galvanized

Advantages

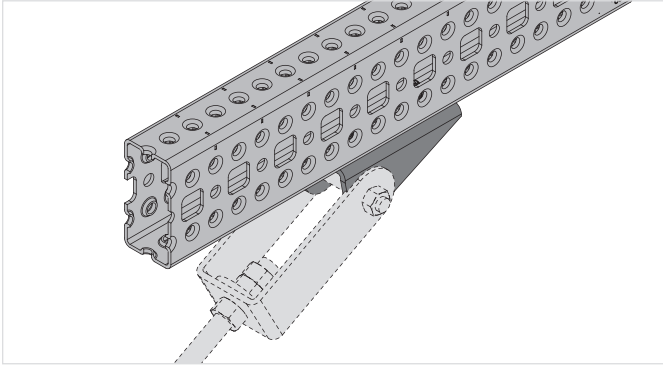
- High load capacity – designed for threaded rod bracing for increased rigidity over long spans
- Part of the Hilti MT system – an economical, all-in-one solution for virtually all modular MEP support structures

MT-FTR-LS Brace Connector

Order Designation	Technical data	Sales pack Quantity	Item number	
MT-FTR-LS	Dry indoor conditions (C1) Indoor with temporary condensation (C2)	1 pc	2322421	

MT Open C-channel (Strut) Connectors Long Span Bracing

4



Applications

- Assembling and bracing modular support structures with longer spans

Technical data

Material composition	Q235 or better steel
Surface finish	Indoor Coated - Electro galvanized

Advantages

- High load capacity – designed for threaded rod bracing for increased rigidity over long spans
- Part of the Hilti MT system – an economical, all-in-one solution for virtually all modular MEP support structures

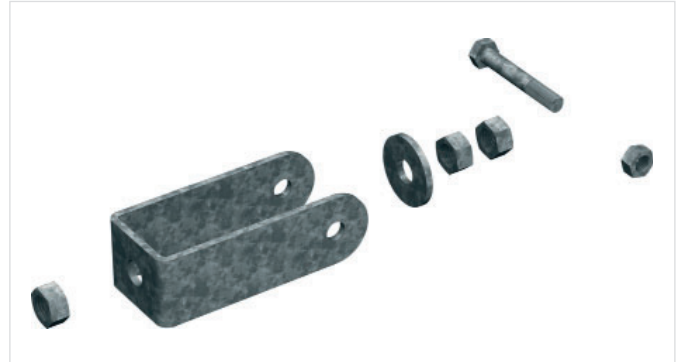
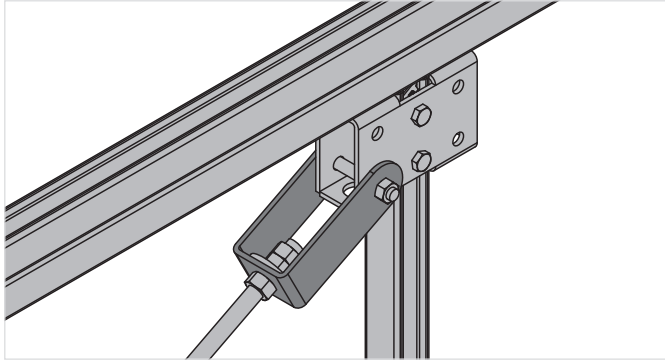
MT-AB-LS Brace Connector

Order Designation	Profile	Technical data	Sales pack Quantity	Item number	
MT-AB-LS	MT-40D OC MT-70 MT-80	Dry indoor conditions (C1) Indoor with temporary condensation (C2)	24 pc	2322420	

MT Open C-channel (Strut) Connectors

Long Span Bracing - Outdoor

4



Applications

- Bracing modular support structures with longer spans

Technical data

Material composition	Q235 or better steel
Surface finish	Outdoor Coated - HDG

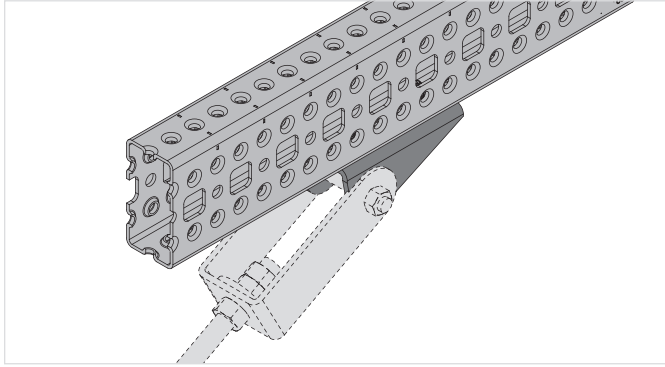
Advantages

- High load capacity – designed for threaded rod bracing for increased rigidity over long spans
- Part of the Hilti MT system – an economical, all-in-one solution for virtually all modular MEP support structures
- Corrosion resistance – hot-dip galvanized to help protect against moisture and chemical corrosion

MT-FTR-LS OC Brace Connector - Outdoor

Order Designation	Technical data	Sales pack Quantity	Item number	
MT-FTR-LS OC	Outdoor, low to moderate pollution (C3 / C4 - low)	1 pc	2322424	

MT Open C-channel (Strut) Connectors Long Span Bracing - Outdoor



Applications

- Assembling and bracing modular support structures with longer spans

Advantages

- High load capacity – enables threaded rod bracing for increased rigidity over long spans
- Corrosion resistance – hot-dip galvanized to help protect against moisture and chemical corrosion
- Part of the Hilti MT system – an economical, all-in-one solution for virtually all modular MEP support structures

Technical data

Material composition	Q235 or better steel
Surface finish	Outdoor Coated - HDG


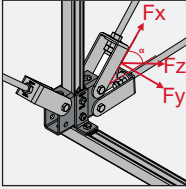
MT-AB-LS OC Brace Connector - Outdoor

Order Designation	Technical data	Sales pack Quantity	Item number	
MT-AB-LS OC	Outdoor, low to moderate pollution (C3 / C4 - low)	24 pc	2322423	

MT Open C-channel (Strut) Connectors

Long Span Bracing

Technical data Long span bracing

Item image	Load drawing	Order Designation	+ Fz	- Fz	± Fx	± Fy
		MT-C-LS + MT-FTR-LS	-	-	10,0 kN	-

Design note

- Shown load values are recommended values with partial safety factors for actions and resistance included
- Design value = 1.4 * recommended value
- The design resistance of the products is defined in accordance with EN1993

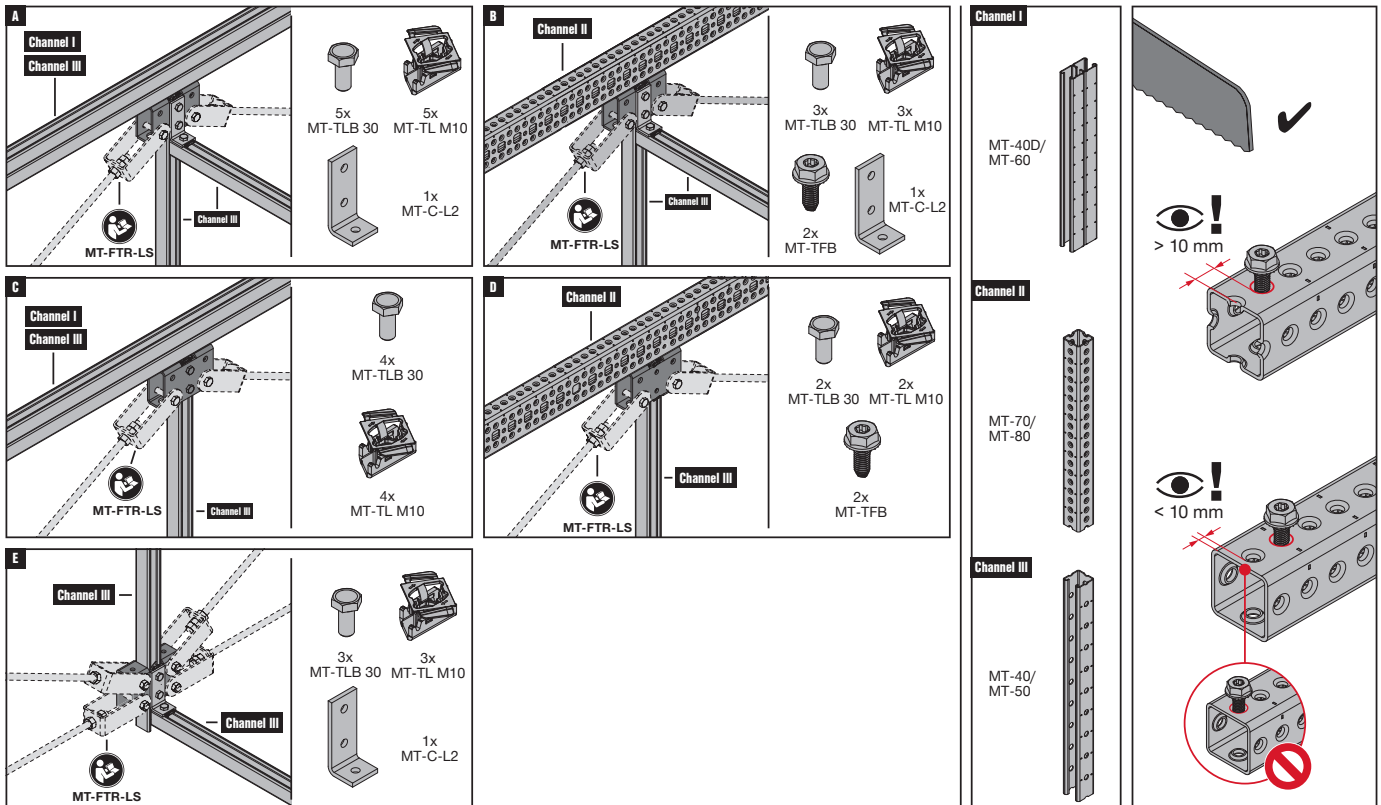
MT Open C-channel (Strut) Connectors

Long Span Bracing

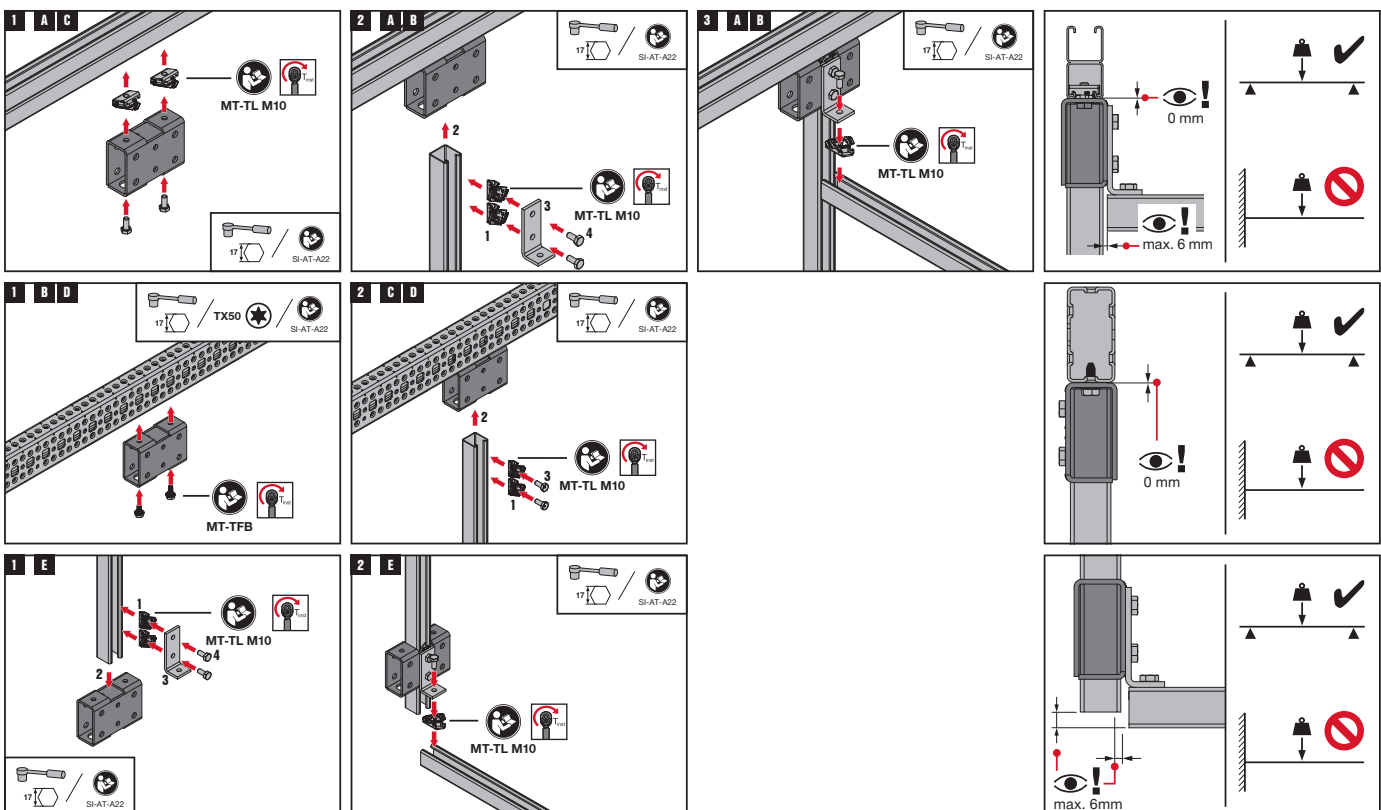
4

Operation Instruction MT-C-LS / MT-C-LS OC

2325258-04.2021



The latest IFU (Instruction For Use) is available on Hilti Online. Please check for any revisions before installing the product.



The latest IFU (Instruction For Use) is available on Hilti Online. Please check for any revisions before installing the product.

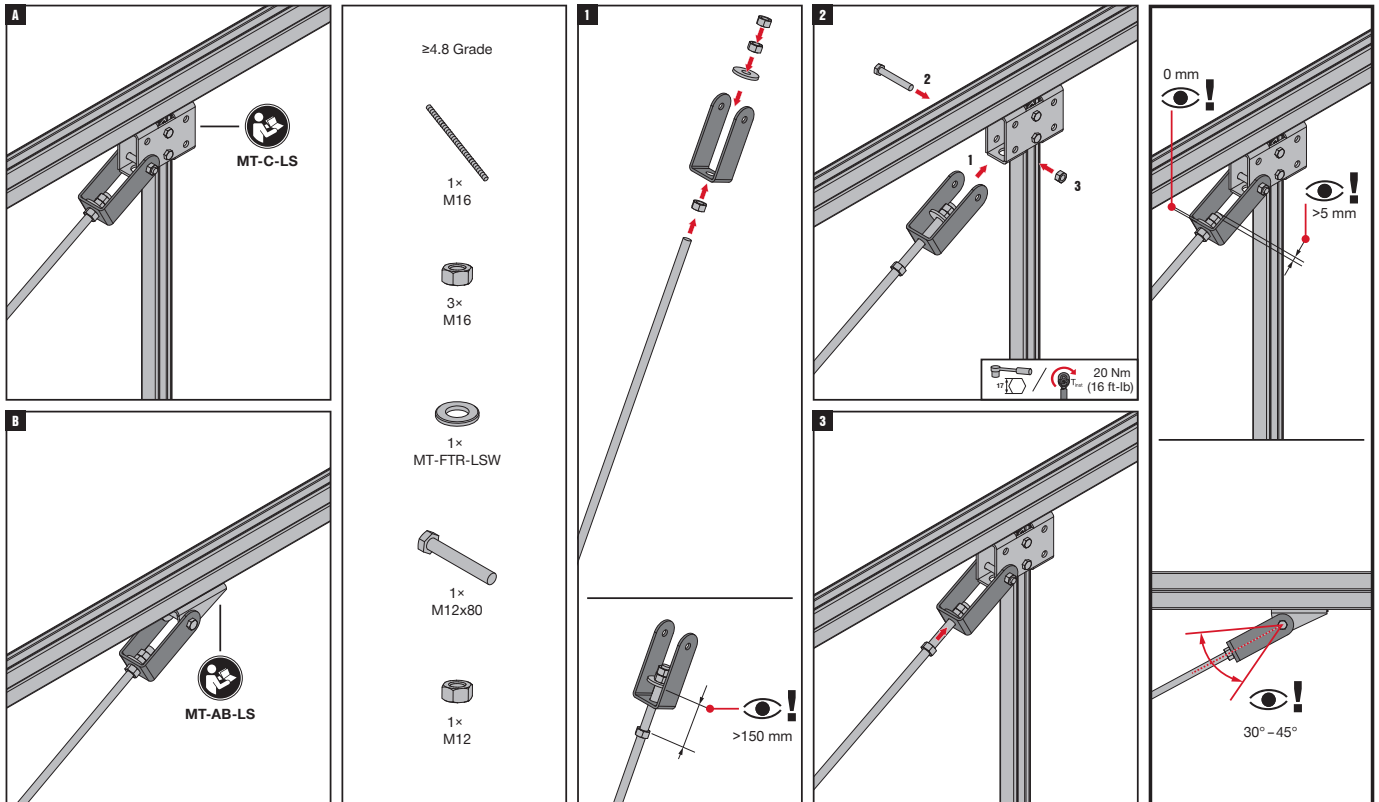
MT Open C-channel (Strut) Connectors

Long Span Bracing

Operation Instruction

MT-FTR-LS / MT-FTR-LS OC

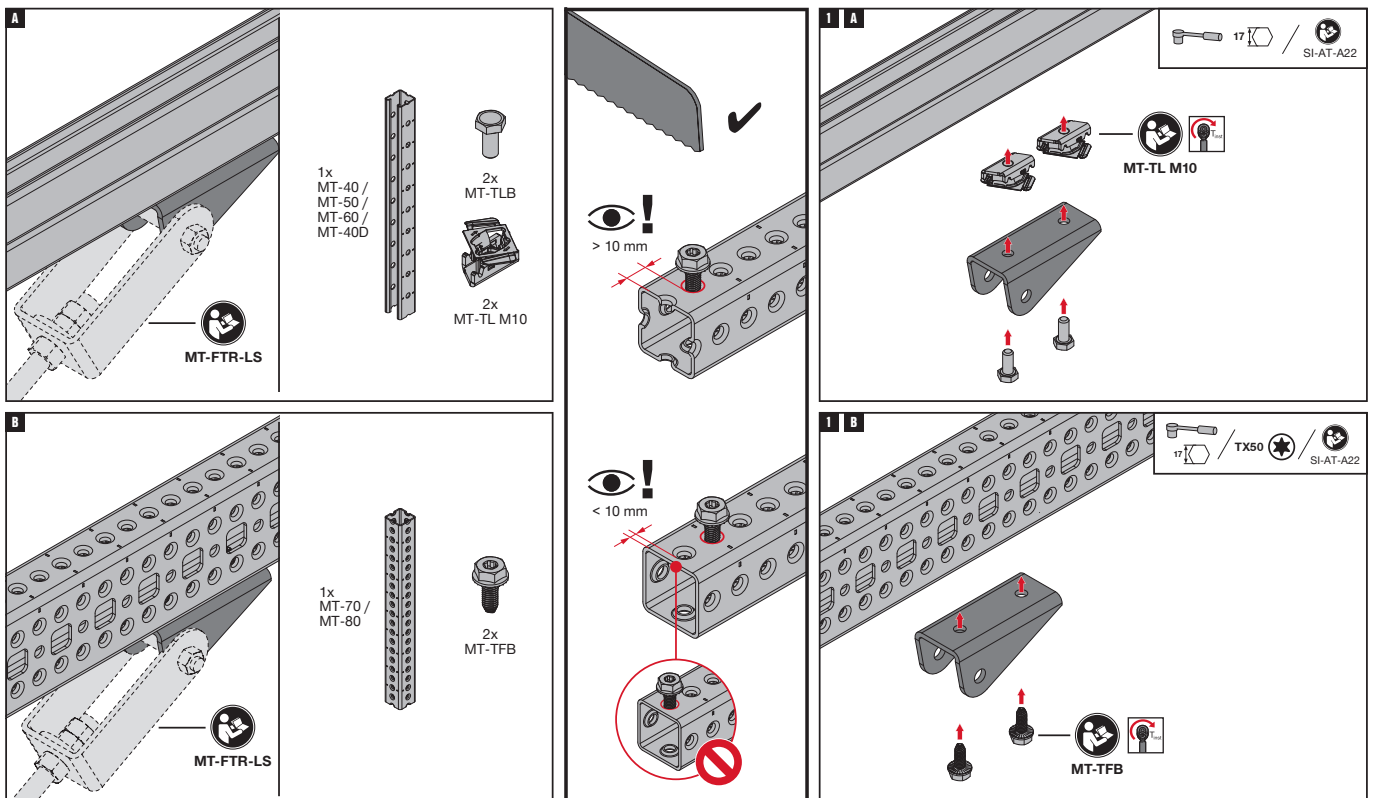
2325259-04.2021



The latest IFU (Instruction For Use) is available on Hilti Online. Please check for any revisions before installing the product.

MT-AB-LS / MT-AB-LS OC

2325231-04.2021



The latest IFU (Instruction For Use) is available on Hilti Online. Please check for any revisions before installing the product.

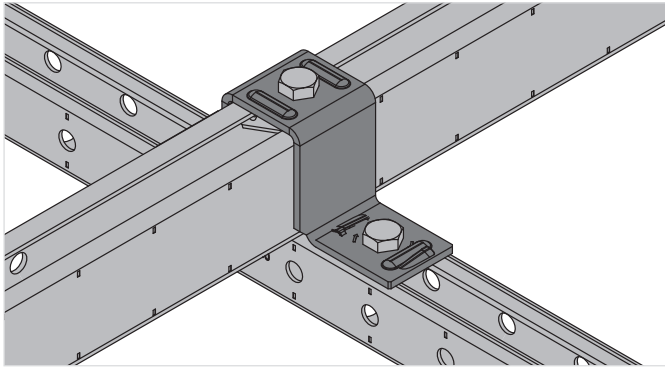
Version from 03.2023

Boundary conditions - Terms of common cooperation / Legal disclaimer and guidelines as defined at the beginning of this book need to be mandatorily respected

MT Open C-channel (Strut) Connectors

Channel Clamps

4



Applications

- Cross-connection of one strut channel to another channel or girder
- Suitable for use in dry, indoor environments

Advantages

- Compatible with MT Twist-Lock and MT Thread Forming Bolt channel connectors – for much faster, adaptable assembly
- Universal – complete many different applications using few parts

Technical data

Material composition	Q235 or better steel
Surface finish	Indoor Coated - Electro galvanized

MT-CC-30 Channel Clamp

Order Designation	Technical data	Sales pack Quantity	Item number	
MT-CC-30	Dry indoor conditions (C1) Indoor with temporary condensation (C2)	10 pc	2322427	

MT-CC-40/50 Channel Clamp

Order Designation	Technical data	Sales pack Quantity	Item number	
MT-CC-40/50	Dry indoor conditions (C1) Indoor with temporary condensation (C2)	20 pc	2322429	

MT Open C-channel (Strut) Connectors

Channel Clamps

MT-CC-40/50X2 Channel Clamp

Order Designation	Technical data	Sales pack Quantity	Item number	
MT-CC-40/50X2	Dry indoor conditions (C1) Indoor with temporary condensation (C2)	10 pc	2322392	

MT-CC-60 Channel Clamp

Order Designation	Technical data	Sales pack Quantity	Item number	
MT-CC-60	Dry indoor conditions (C1) Indoor with temporary condensation (C2)	15 pc	2322396	

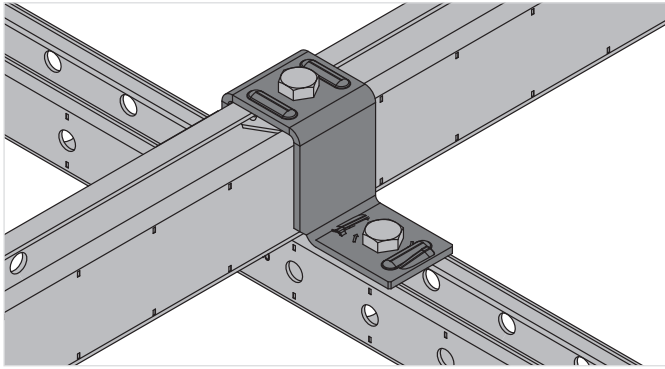
MT-CC-40D Channel clamp

Order Designation	Technical data	Sales pack Quantity	Item number	
MT-CC-40D	Dry indoor conditions (C1) Indoor with temporary condensation (C2)	10 pc	2322398	

MT Open C-channel (Strut) Connectors

Channel Clamps - Outdoor

4



Applications

- Attaching polypanels to a substructure of MT strut/girders
- Hot/cold aisle containment in data centers

Advantages

- Helps lower installation cost – this new solution uses fewer and simpler components than previous Hilti panel connectors, saving you upfront costs and time on-site
- Compatible with MT Thread Forming Bolt channel connectors – for much faster, adaptable assembly with higher pull-out and shear resistance
- Corrosion resistance – hot-dip galvanized to help protect against moisture and chemical corrosion

Technical data

Material composition	Q235 or better steel
Surface finish	Outdoor Coated - HDG

MT-CC-40/50 OC Channel Clamp - Outdoor

Order Designation	Technical data	Sales pack Quantity	Item number	
MT-CC-40/50 OC	Outdoor, low to moderate pollution (C3 / C4 - low)	20 pc	2322391	

MT-CC-40/50X2 OC Channel Clamp - Outdoor

Order Designation	Technical data	Sales pack Quantity	Item number	
MT-CC-40/50X2 OC	Outdoor, low to moderate pollution (C3 / C4 - low)	10 pc	2322393	

MT Open C-channel (Strut) Connectors

Channel Clamps - Outdoor

MT-CC-60 OC Channel Clamp - Outdoor

Order Designation	Technical data	Sales pack Quantity	Item number	
MT-CC-60 OC	Outdoor, low to moderate pollution (C3)	15 pc	2322431	

MT-CC-40D OC Channel Clamp - Outdoor

Order Designation	Technical data	Sales pack Quantity	Item number	
MT-CC-40D OC	Outdoor, low to moderate pollution (C3)	10 pc	2322399	

MT Open C-channel (Strut) Connectors

Channel Clamps

4

Technical data MT-Channel Clamps

Item image	Load drawing	Order Designation	+ Fz	- Fz	± Fx	± Fy
		MT-CC-30	-	5,4 kN	2,5 kN	5,7 kN
		MT-CC-40/50 / MT-CC-40/50 OC	-	5,4 kN	2,5 kN	5,7 kN
		MT-CC-40/50x2 / MT-CC-40/50x2 OC	-	2,0 kN	2,5 kN	5,7 kN
		MT-CC-40D / MT-CC-40D OC	-	5,4 kN	2,5 kN	3,6 kN
		MT-CC-60 / MT-CC-60 OC	-	5,4 kN	2,5 kN	3,6 kN
		MT-CC-70 OC	-	5,4 kN	2,5 kN	3,6 kN

Design note

- Shown load values are recommended values with partial safety factors for actions and resistance included
- Design value = 1,4 * recommended value
- The design resistance of the products is defined in accordance with EN1993

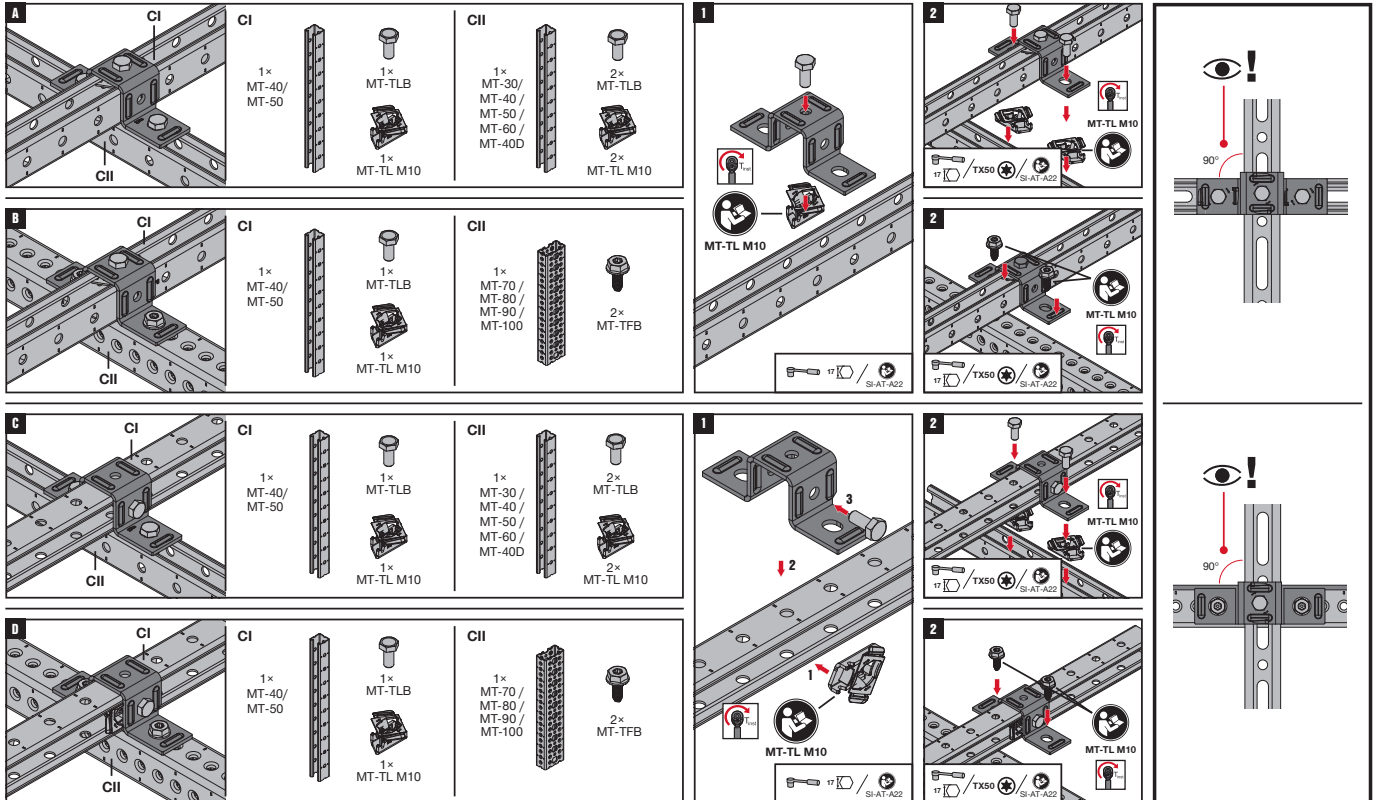
MT Open C-channel (Strut) Connectors

Channel Clamps

Operation Instruction

MT-CC-40/50 / MT-CC-40/50 OC

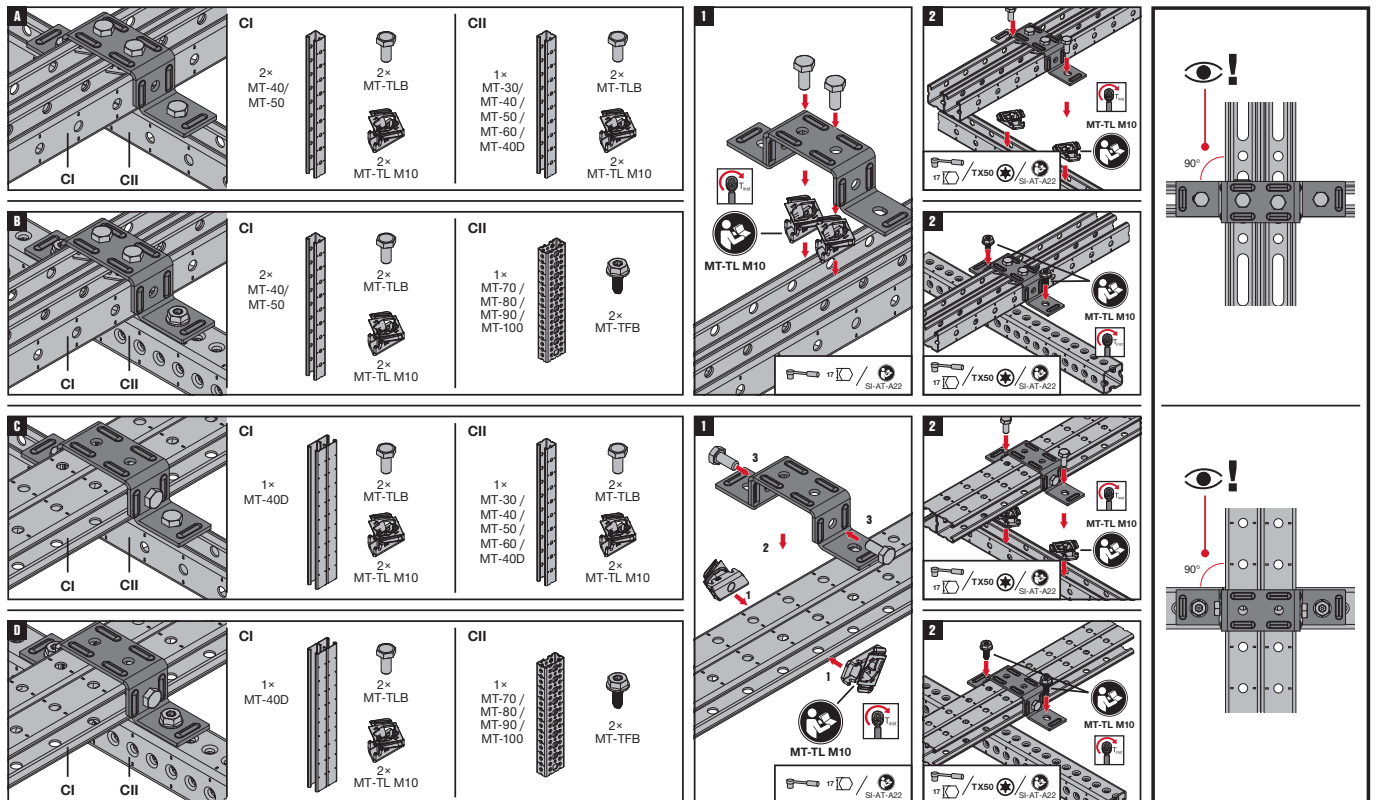
2324718-04.2021



The latest IFU (Instruction For Use) is available on Hilti Online. Please check for any revisions before installing the product.

MT-CC-40/50x2 / MT-CC-40/50x2 OC

2324719-04.2021



The latest IFU (Instruction For Use) is available on Hilti Online. Please check for any revisions before installing the product.

Version from 03.2023

Boundary conditions - Terms of common cooperation / Legal disclaimer and guidelines as defined at the beginning of this book need to be mandatorily respected

MT Open C-channel (Strut) Connectors

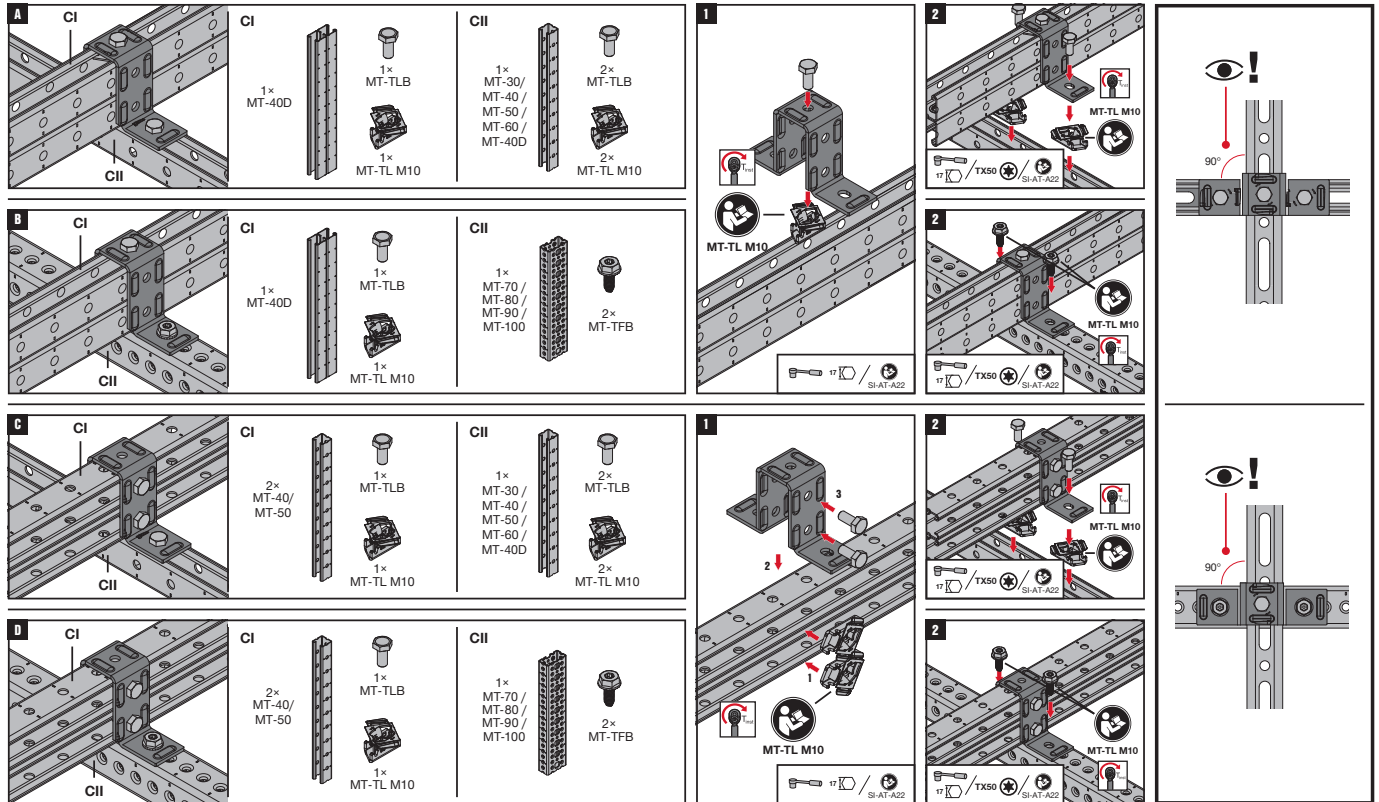
Channel Clamps

4

Operation Instruction

MT-CC-40D / MT-CC-40D OC

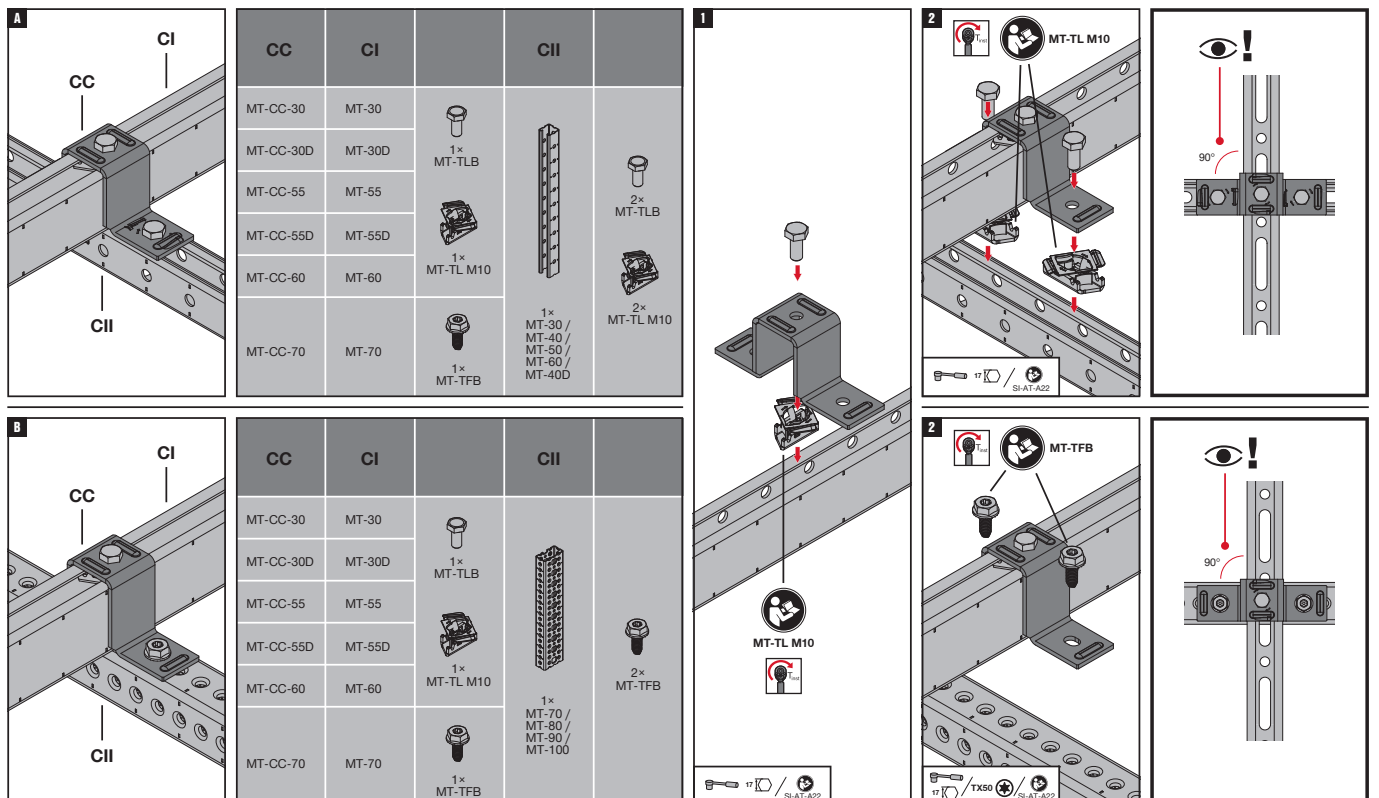
2324717-04.2021



The latest IFU (Instruction For Use) is available on Hilti Online. Please check for any revisions before installing the product.

MT-CC-30 / MT-CC-40/50 / MT-CC-60 / MT-CC-30 OC / MT-CC-40/50 OC / MT-CC-60 OC

232516-04.2021



The latest IFU (Instruction For Use) is available on Hilti Online. Please check for any revisions before installing the product.

MT Closed Profiles Connectors

90° Connectors - Outdoor



Applications

- Right-angle connections between any MT closed profiles or strut channels
- Assembling metal framing for MEP support structures when resistance to 3D stresses is required
- Fastening MT strut channel to concrete floors, walls or ceilings

Advantages

- Part of the Hilti MT system – an economical, all-in-one solution for virtually all modular MEP support structures
- Easy to install – one-step assembly using Hilti MT-TFB thread-forming bolts
- Adaptable – unlike welding, angle brackets allow you to modify strut channel framing during installation and for future MEP requirements
- Adjustable – cloud holes enable height adjustment in 5mm increments

Technical data

Material composition	Q355 or better steel
Surface finish	Hot-dip galvanized - for outdoor use

MT-C-GS OC Angle Connector - Outdoor

Order Designation	Technical data	Sales pack Quantity	Item number	
MT-C-GS OC	Outdoor, low to moderate pollution (C3 / C4 - low)	10 pc	2272064	

MT-C-GS A OC Angle Connector - Outdoor

Order Designation	Technical data	Sales pack Quantity	Item number	
MT-C-GS A OC	Outdoor, low to moderate pollution (C3 / C4 - low)	10 pc	2272068	

MT Closed Profiles Connectors

90° Connectors - Outdoor

4

MT-C-GL OC Angle Connector - Outdoor

Order Designation	Technical data	Sales pack Quantity	Item number	
MT-C-GL OC	Outdoor, low to moderate pollution (C3 / C4 - low)	10 pc	2272066	

MT-C-GL A OC Angle Connector - Outdoor

Order Designation	Technical data	Sales pack Quantity	Item number	
MT-C-GL A OC	Outdoor, low to moderate pollution (C3 / C4 - low)	10 pc	2272069	

MT Closed Profiles Connectors

90° Connectors - Outdoor

Technical data MT Angle Connectors - Outdoor

Item image	Load drawing	Order Designation	+ Fz	- Fz	± Fx	± Fy
		MT-C-GS OC	11,9 kN	7,6 kN	5,2 kN	2,6 kN
		MT-C-GS A OC	11,9 kN	7,6 kN	5,2 kN	2,6 kN

Design note

- Shown load values are recommended values with partial safety factors for actions and resistance included
- Design value = 1.4 * recommended value
- The design resistance of the products is defined in accordance with EN1993

Technical data MT Angle Connectors - Outdoor

Item image	Load drawing	Order Designation	+ Fz	- Fz	± Fx	± Fy
		MT-C-GL OC	14,6 kN	13,5 kN	16,5 kN	11,7 kN
		MT-C-GL A OC	14,6 kN	13,5 kN	16,5 kN	11,7 kN

Design note

- Shown load values are recommended values with partial safety factors for actions and resistance included
- Design value = 1.5 * recommended value
- The design resistance of the products is defined in accordance with EN1993

MT Closed Profiles Connectors

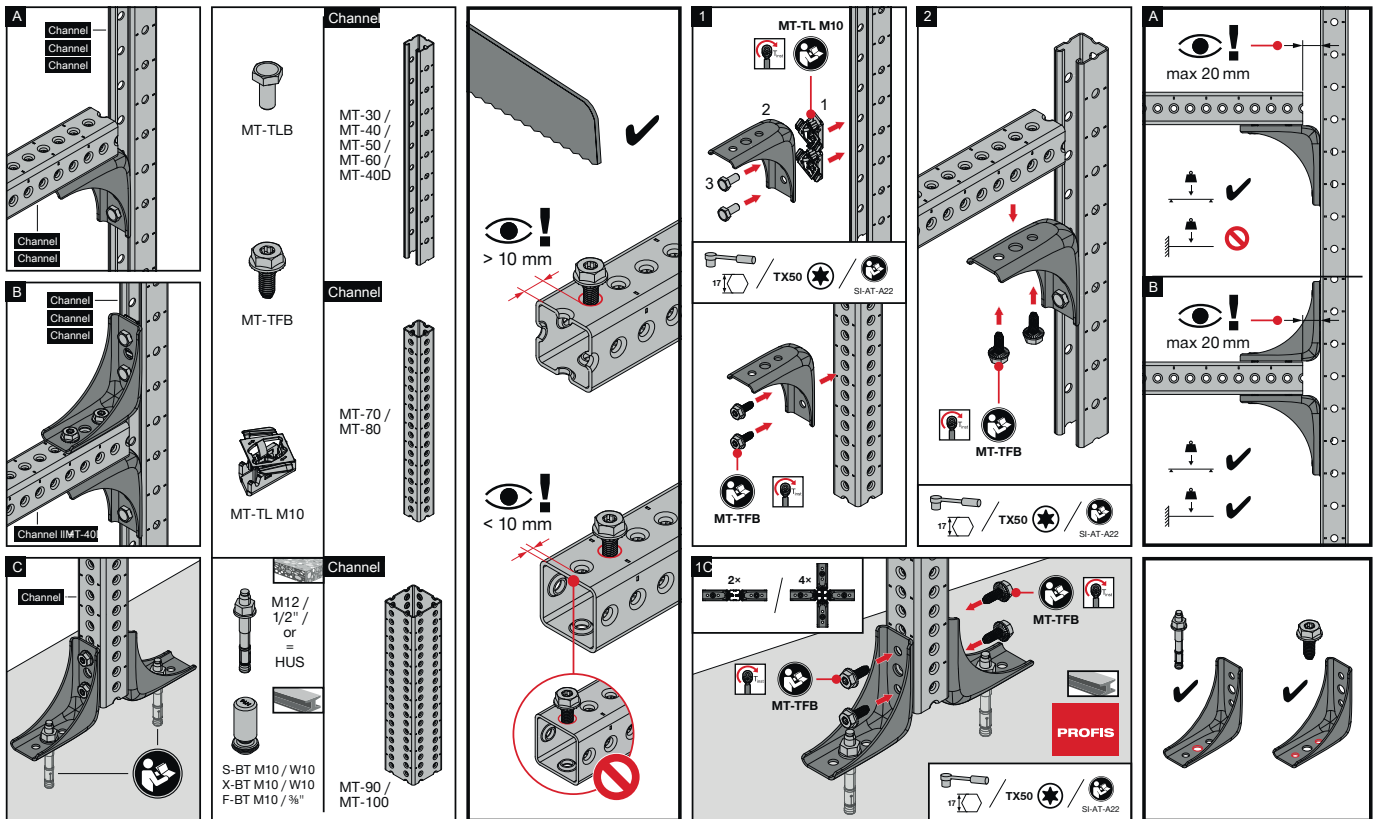
90° Connectors - Outdoor

4

Operation Instruction

MT-C-GS OC

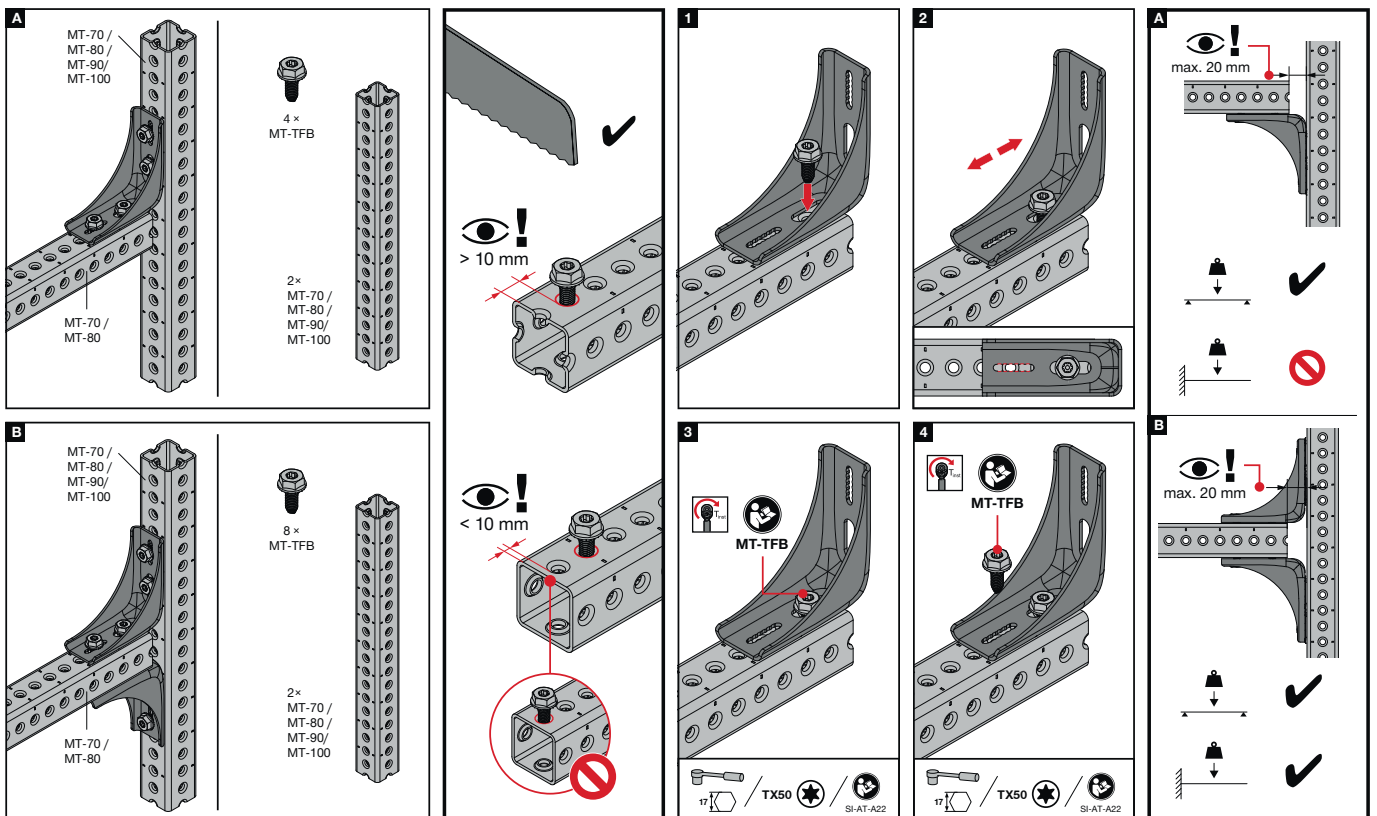
2290665-06.2020



The latest IFU (Instruction For Use) is available on Hilti Online. Please check for any revisions before installing the product.

MT-C-GS A OC

2289567-09.2020



The latest IFU (Instruction For Use) is available on Hilti Online. Please check for any revisions before installing the product.

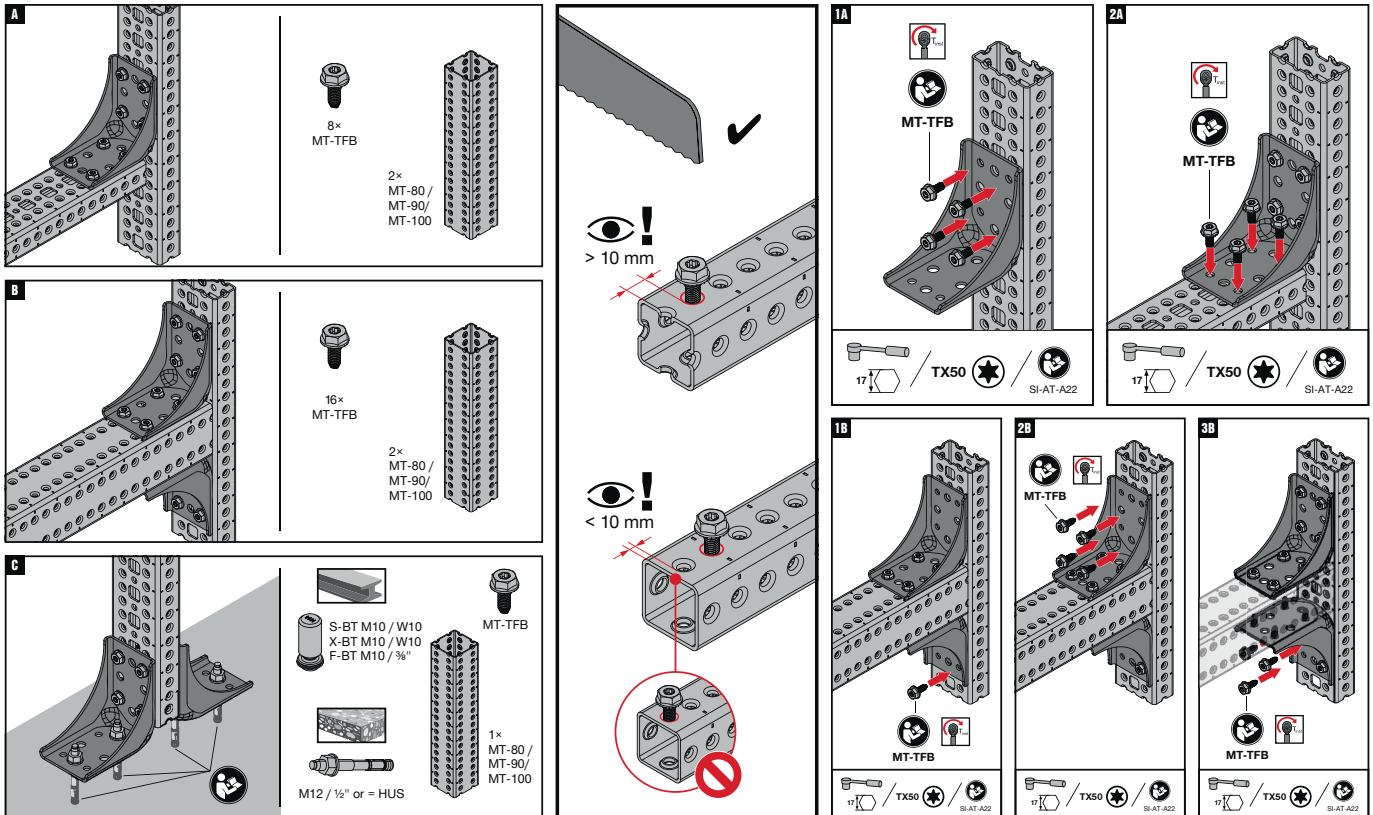
MT Closed Profiles Connectors

90° Connectors - Outdoor

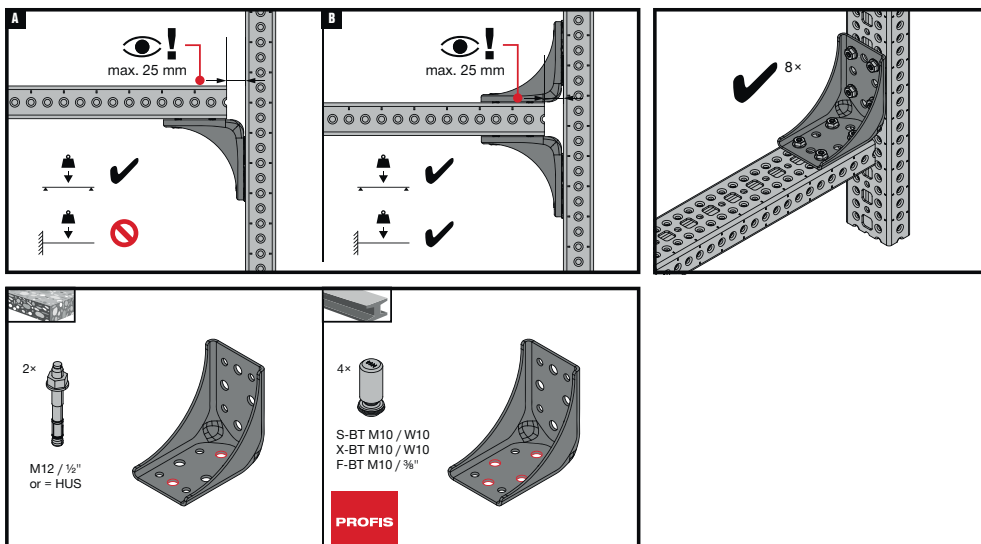
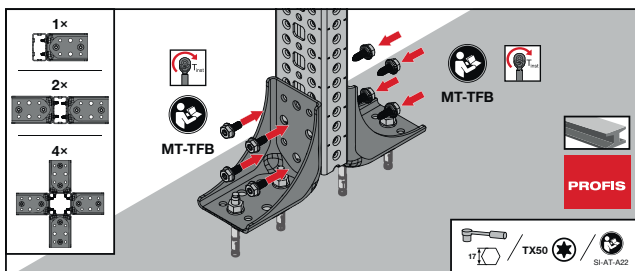
Operation Instruction

MT-C-GL OC

2289566-07.2020



The latest IFU (Instruction For Use) is available on Hilti Online. Please check for any revisions before installing the product.



The latest IFU (Instruction For Use) is available on Hilti Online. Please check for any revisions before installing the product.

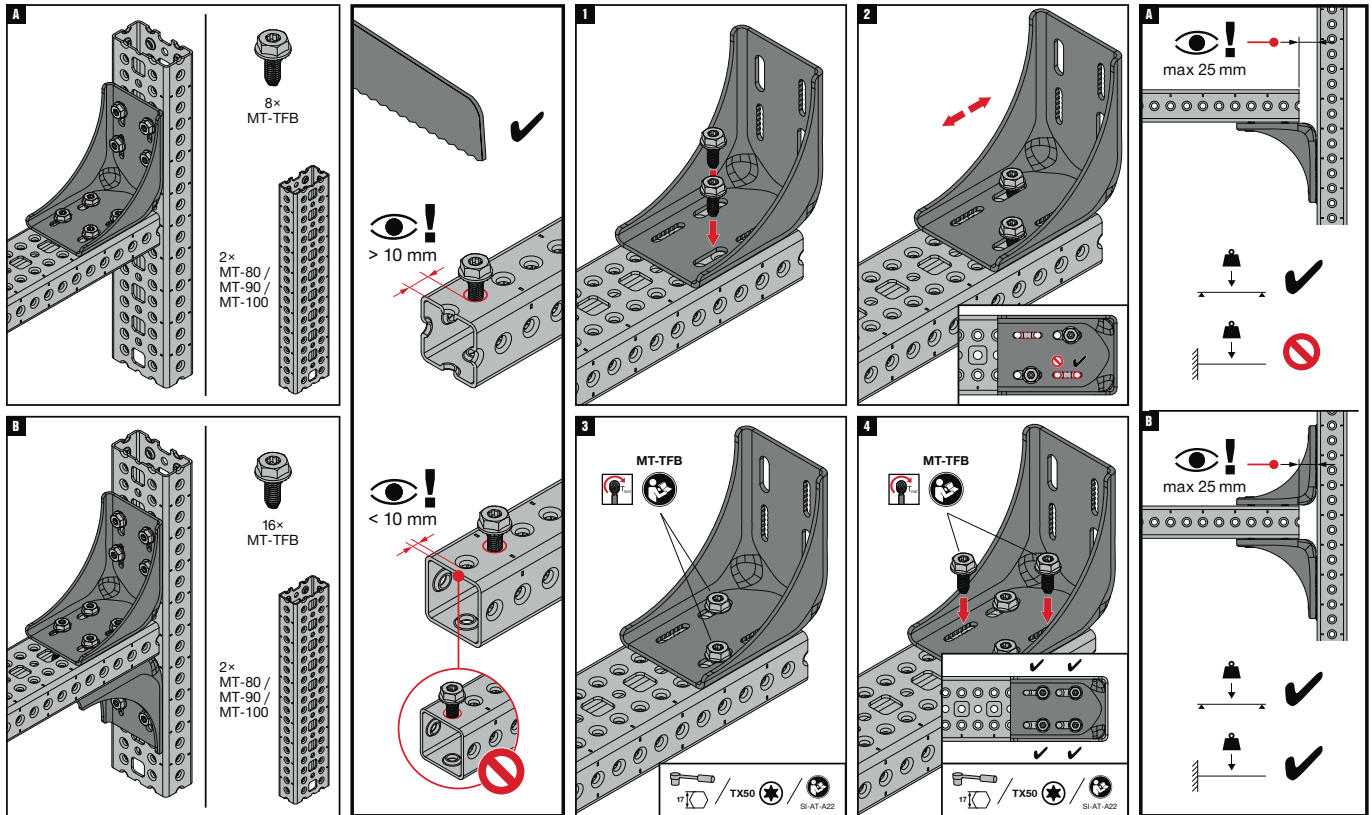
MT Closed Profiles Connectors

90° Connectors - Outdoor

4

Operation Instruction MT-C-GL A OC

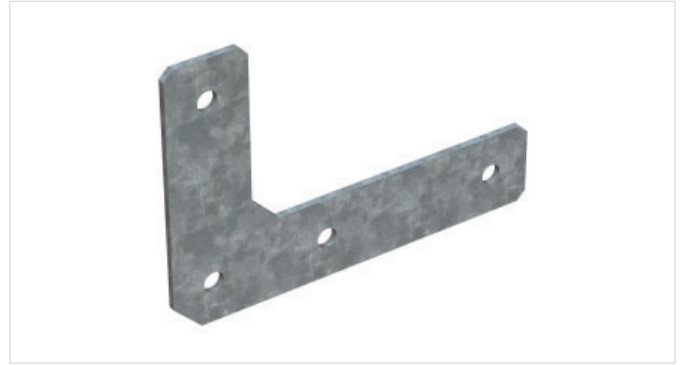
2289568-09 2/2020



The latest IFU (Instruction For Use) is available on Hilti Online. Please check for any revisions before installing the product.

MT Closed Profiles Connectors

90° Connectors - Outdoor



4

Applications

- Fastening L-shaped connections between any MT closed profiles or strut channels
- Suitable for use in moderately corrosive environments

Technical data

Material composition	Q355 or better steel
Surface finish	Hot-dip galvanized - for outdoor use

Advantages

- Part of the Hilti MT system – an economical, all-in-one solution for virtually all modular MEP support structures
- Easy to install – one-step assembly using Hilti MT-TFB thread-forming bolts
- Adaptable – unlike welding, gusset plates allow modular metal framing to be modified during installation and for future MEP requirements
- Adjustable – cloud holes enable height adjustment in 5mm increments

MT-C-GSP L OC Connector - Outdoor

Order Designation	Technical data	Sales pack Quantity	Item number	
MT-C-GSP L OC	Outdoor, low to moderate pollution (C3 / C4 - low)	10 pc	2272073	

MT-C-GSP L A OC Connector - Outdoor

Order Designation	Technical data	Sales pack Quantity	Item number	
MT-C-GSP L A OC	Outdoor, low to moderate pollution (C3 / C4 - low)	10 pc	2332786	

MT Closed Profiles Connectors

90° Connectors - Outdoor

MT-C-GSP T OC Angle Connector - Outdoor

Order Designation	Technical data	Sales pack Quantity	Item number	
MT-C-GSP T OC	Outdoor, low to moderate pollution (C3 / C4 - low)	10 pc	2272074	

MT-C-GSP T A OC Angle Connector - Outdoor

Order Designation	Technical data	Sales pack Quantity	Item number	
MT-C-GSP T A OC	Outdoor, low to moderate pollution (C3 / C4 - low)	10 pc	2332785	

MT-C-GLP T OC Angle Connector - Outdoor

Order Designation	Technical data	Sales pack Quantity	Item number	
MT-C-GLP T OC	Outdoor, low to moderate pollution (C3 / C4 - low)	8 pc	2272075	

MT-C-GLP T A OC Angle Connector - Outdoor

Order Designation	Technical data	Sales pack Quantity	Item number	
MT-C-GLP T A OC	Outdoor, low to moderate pollution (C3 / C4 - low)	8 pc	2332784	

MT-C-GLP X A OC Angle Connector - Outdoor

Order Designation	Technical data	Sales pack Quantity	Item number	
MT-C-GLP X A OC	Outdoor, low to moderate pollution (C3 / C4 - low)	10 pc	2332783	

MT Closed Profiles Connectors

90° Connectors - Outdoor

Technical data MT Connectors

Item image	Load drawing	Order Designation	+ Fz	- Fz	± Fx	± Fy
		MT-C-GSP T OC	7,1 kN	7,1 kN	46,7 kN	5,9 kN

Design note

- Shown load values are recommended values with partial safety factors for actions and resistance included
- Design value = 1.4 * recommended value
- The design resistance of the products is defined in accordance with EN1993

Technical data MT Connectors

Item image	Load drawing	Order Designation	+ Fz	- Fz	± Fx	± Fy
		MT-C-GSP L A OC	14,0 kN	14,3 kN	19,8 kN	2,6 kN
		MT-C-GSP L OC	10,9 kN	11,1 kN	13,7 kN	3,5 kN
		MT-C-GSP T A OC	16,8 kN	16,8 kN	33,4 kN	2,1 kN
		MT-C-GLP T OC	25,0 kN	25,0 kN	86,7 kN	8,4 kN

Design note


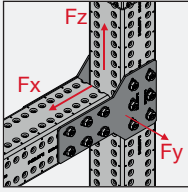
- Shown load values are recommended values with partial safety factors for actions and resistance included
- Design value = 1.5 * recommended value
- The design resistance of the products is defined in accordance with EN1993

MT Closed Profiles Connectors

90° Connectors - Outdoor

4

Technical data MT Connectors

Item image	Load drawing	Order Designation	+ Fz	- Fz	± Fx	± Fy
		MT-C-GLP T A OC	24,7 kN	24,7 kN	66,1 kN	4,3 kN

Konstruktionshinweis:

- Die dargestellten Lastwerte sind empfohlene Widerstände, welche die Teilsicherheitsbeiwert für die Einwirkungen und den Widerstand bereit inkludiert haben.
- Design Widerstand = 1,5 * empfohlener Widerstand
- Die Design Widerstände sind gemäß EN 1993 ermittelt

Design note

- Shown load values are recommended values with partial safety factors for actions and resistance included
- Design value = 1.5 * recommended value
- The design resistance of the products is defined in accordance with EN1993

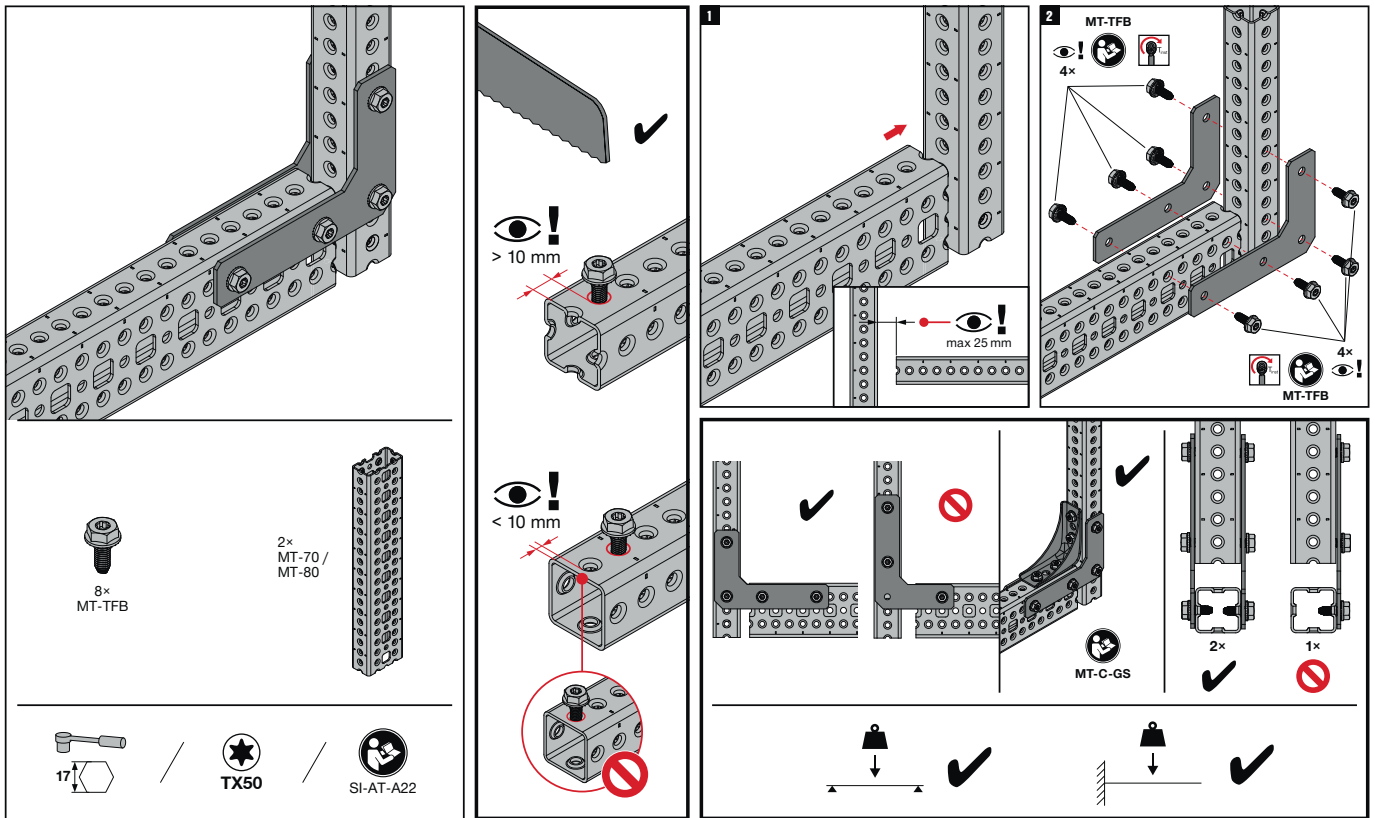
MT Closed Profiles Connectors

90° Connectors - Outdoor

Operation Instruction

MT-C-GSP L OC

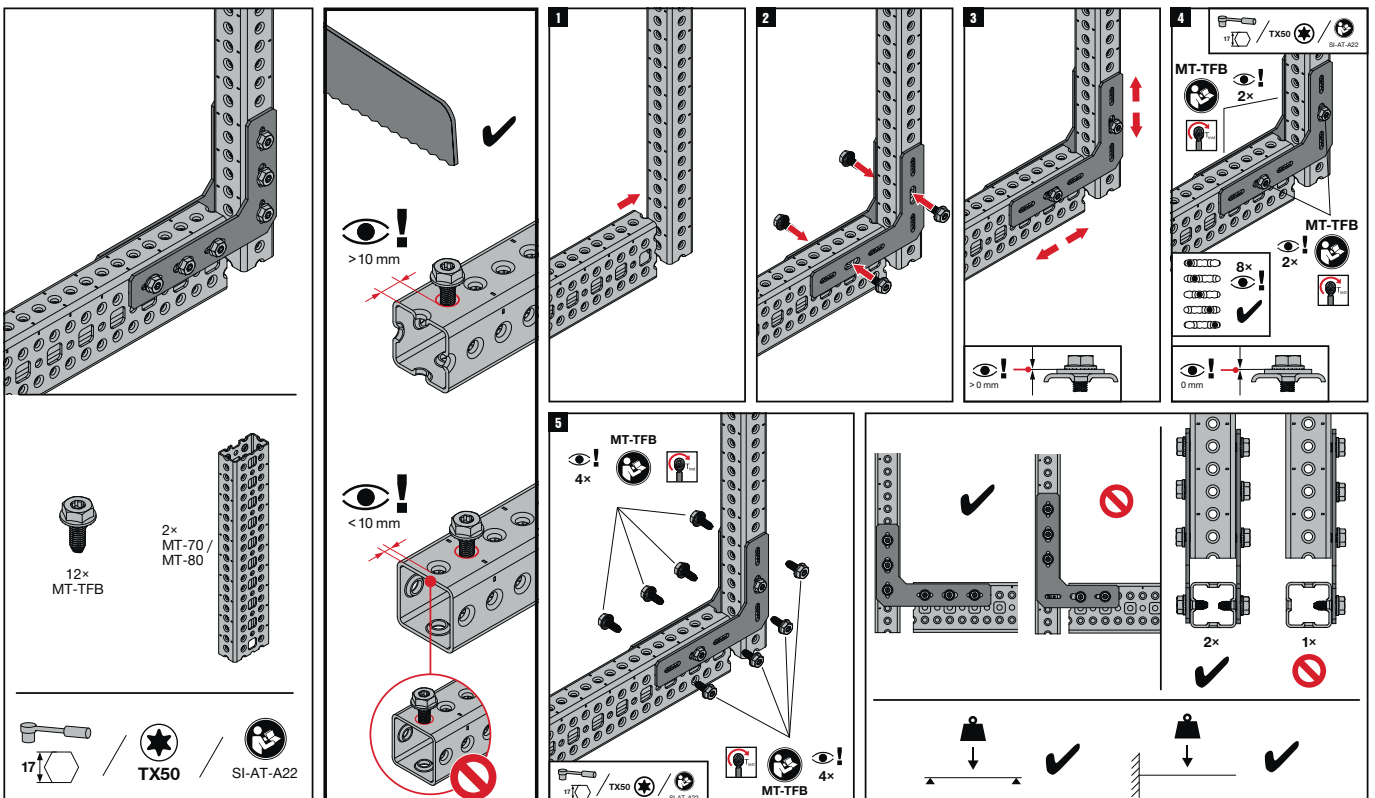
2289569-07.2020



The latest IFU (Instruction For Use) is available on Hilti Online. Please check for any revisions before installing the product.

MT-C-GSP L A OC

2334573-07.2021



The latest IFU (Instruction For Use) is available on Hilti Online. Please check for any revisions before installing the product.

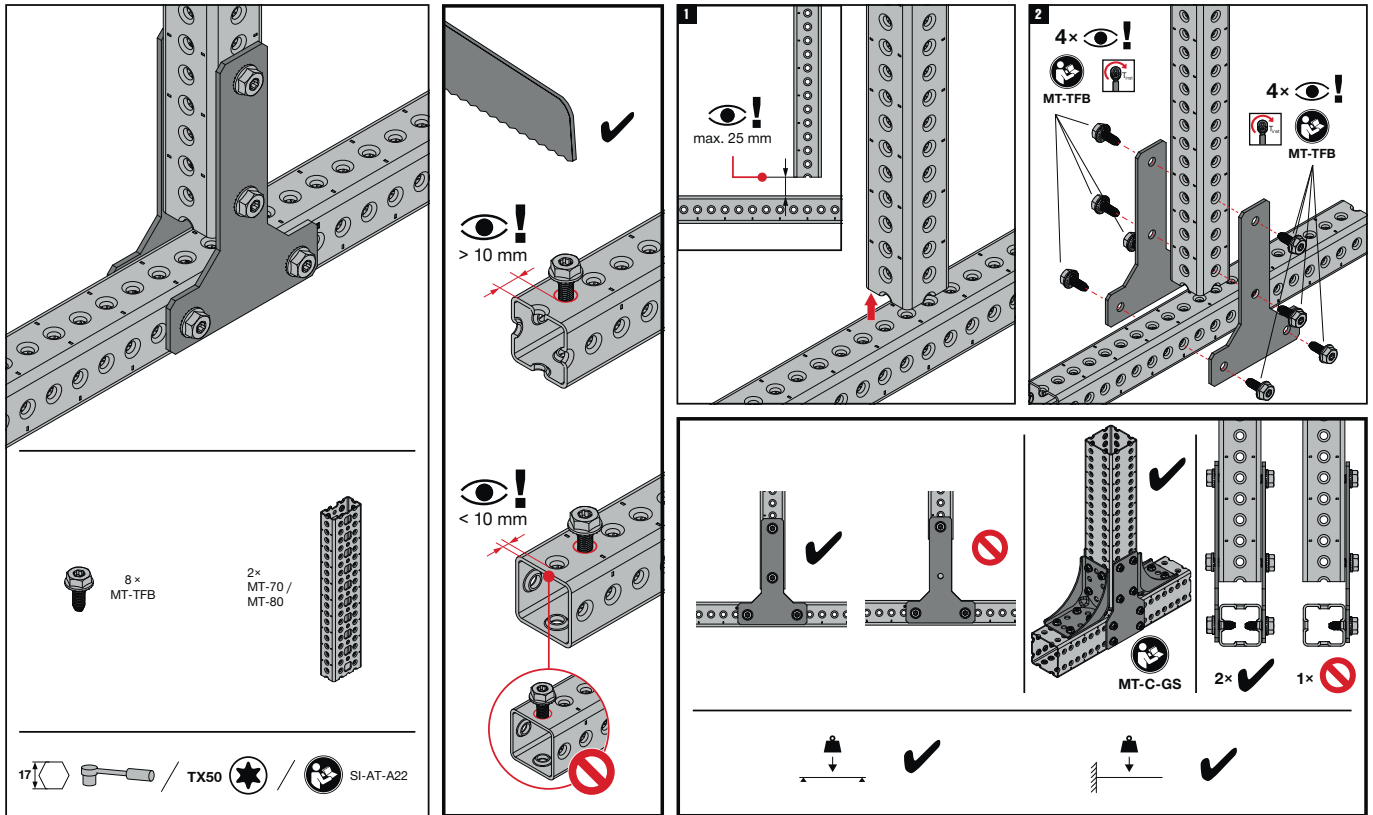
MT Closed Profiles Connectors

90° Connectors - Outdoor

Operation Instruction

MT-C-GSP T OC

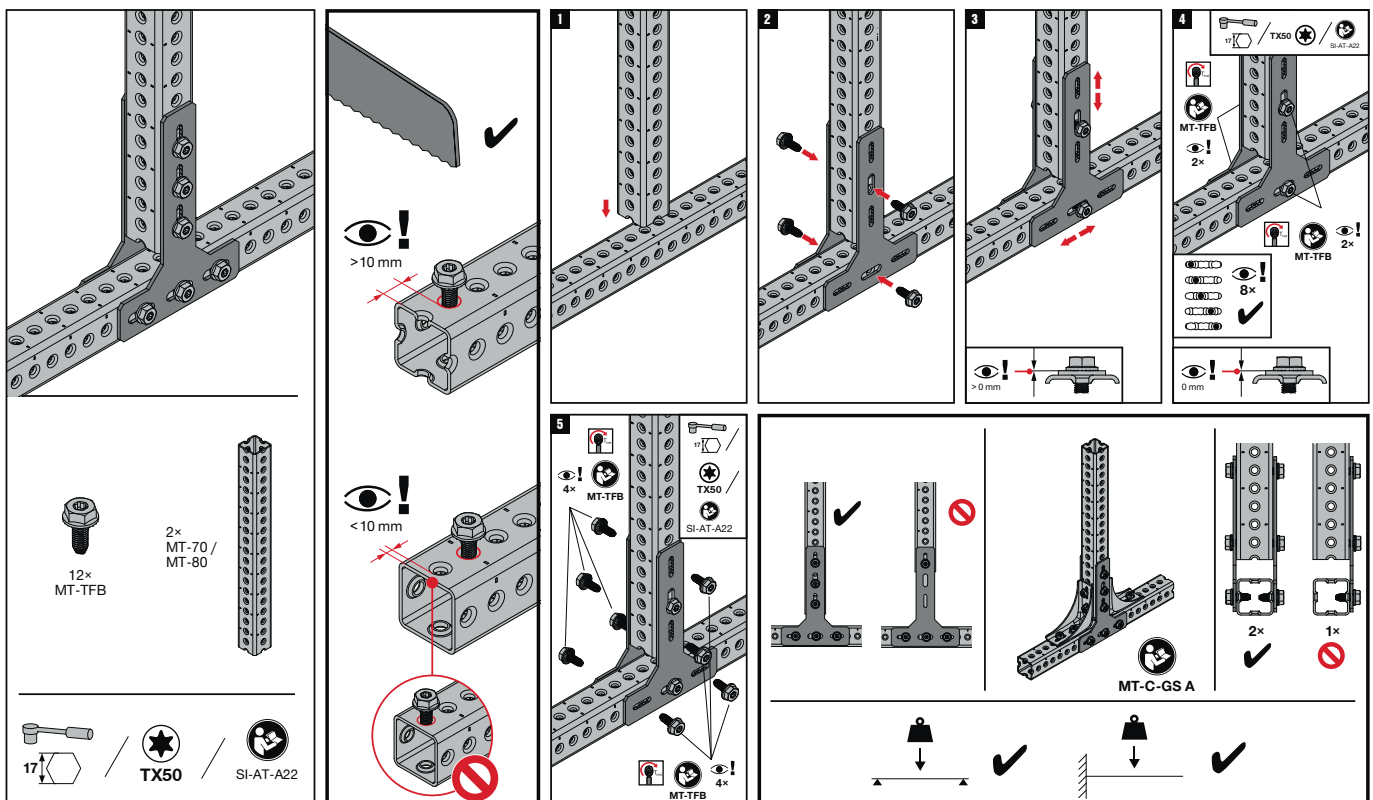
2290690-06.2020



The latest IFU (Instruction For Use) is available on Hilti Online. Please check for any revisions before installing the product.

MT-C-GSP T A OC

2334586-07.2021



The latest IFU (Instruction For Use) is available on Hilti Online. Please check for any revisions before installing the product.

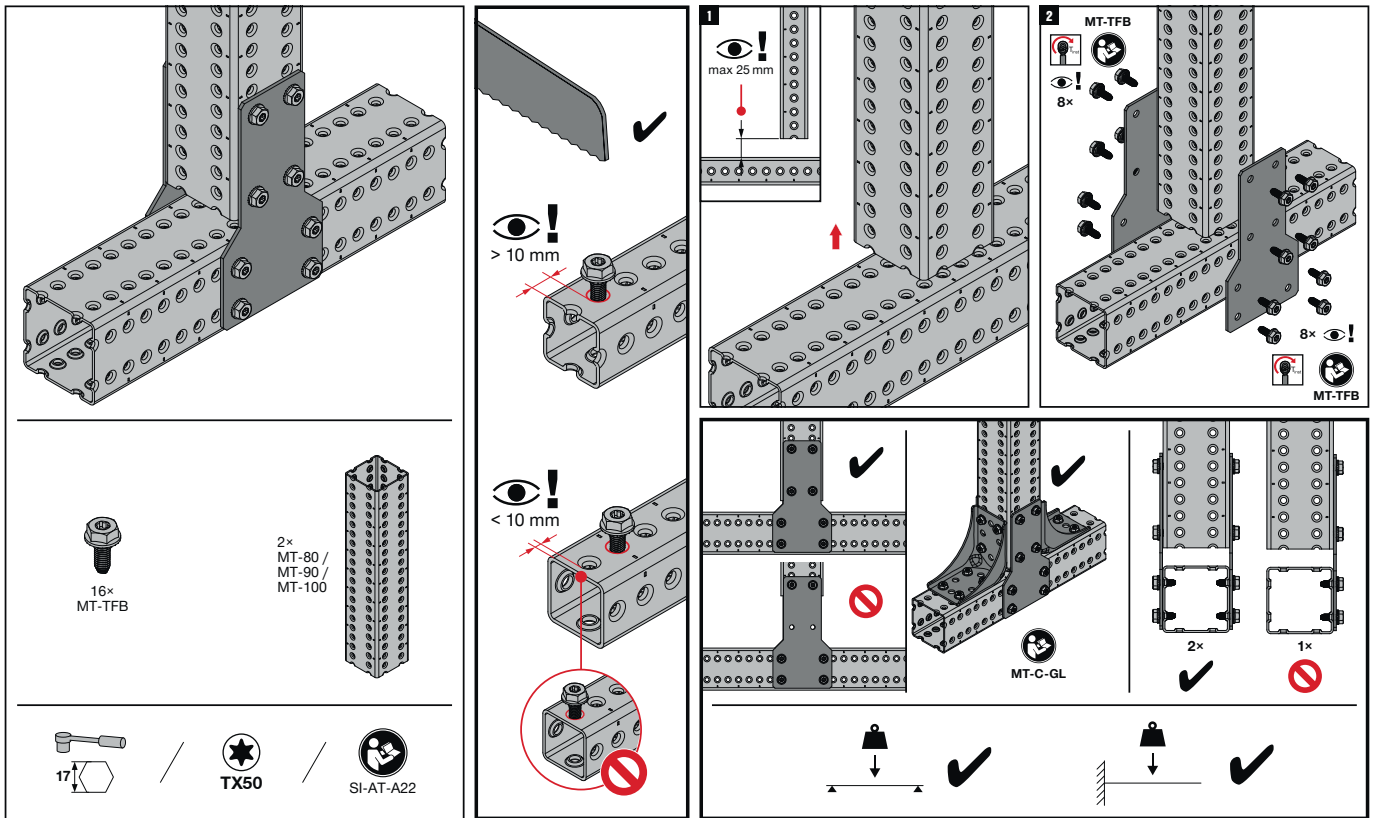
MT Closed Profiles Connectors

90° Connectors - Outdoor

Operation Instruction

MT-C-GLP T OC

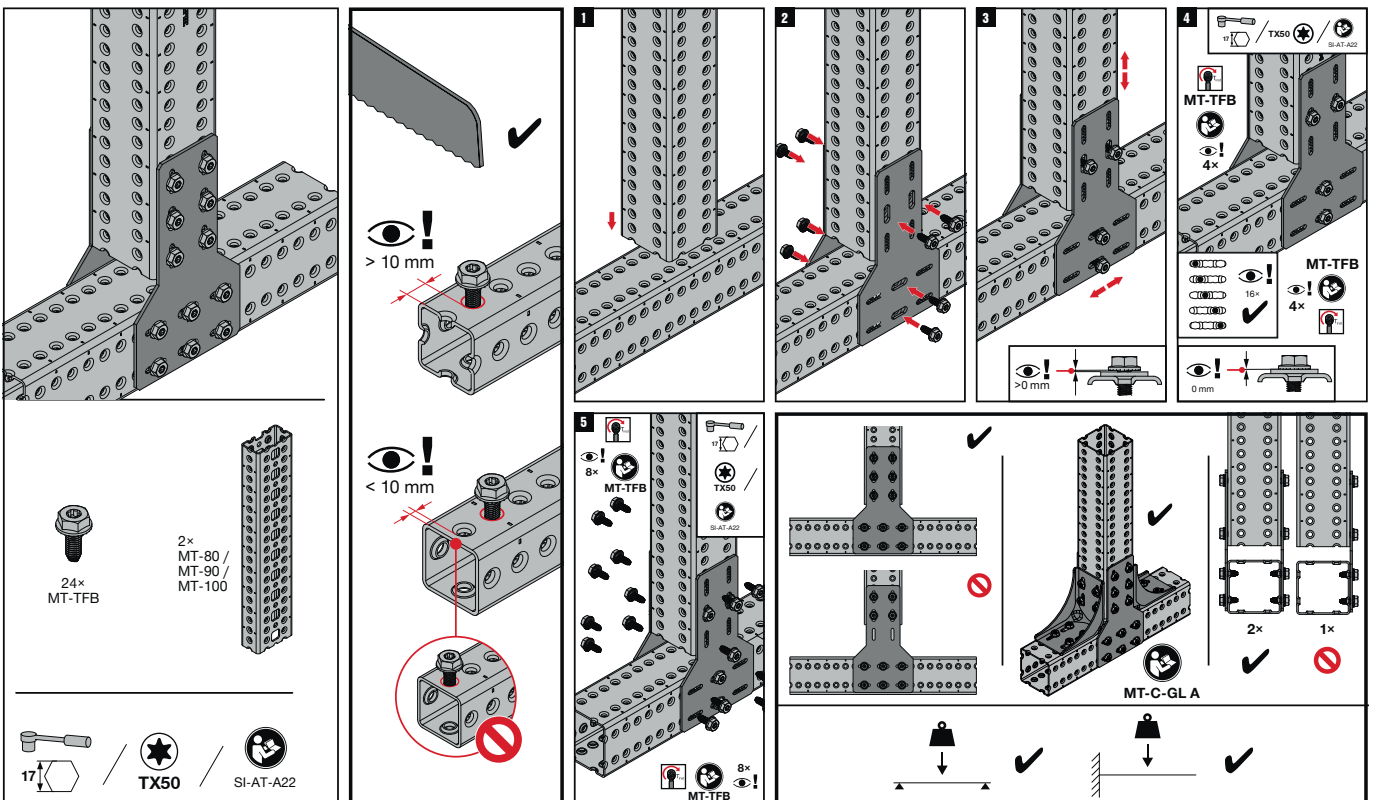
2290691-06.2020



The latest IFU (Instruction For Use) is available on Hilti Online. Please check for any revisions before installing the product.

MT-C-GLP T A OC

2334585-07.2021



The latest IFU (Instruction For Use) is available on Hilti Online. Please check for any revisions before installing the product.

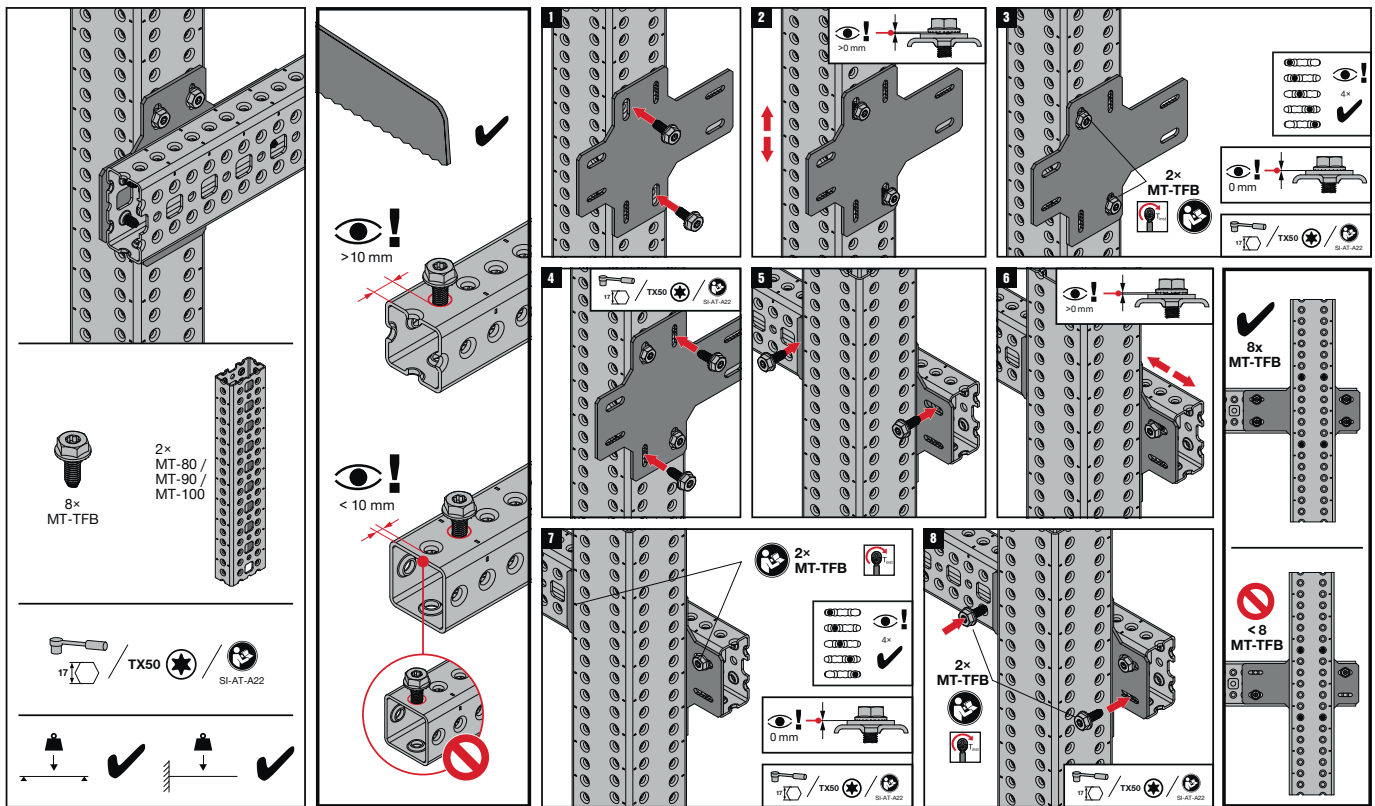
MT Closed Profiles Connectors

90° Connectors - Outdoor

4

Operation Instruction
MT-C-GLP X A OC

2334584-07.2021



The latest IFU (Instruction For Use) is available on Hilti Online. Please check for any revisions before installing the product.

MT Closed Profiles Connectors

Splice Connectors - Outdoor



Applications

- Extending MT-70 or MT-80 closed profiles by fastening them together end-to-end
- Assembling metal framing for MEP support structures when longer spans or increased floor/ceiling clearance are required
- Suitable for use in moderately corrosive environments

Advantages

- Part of the Hilti MT system – an economical, all-in-one solution for virtually all modular MEP support structures
- Easy to install – one-step assembly using Hilti MT-TFB thread-forming bolts
- Adaptable – unlike welding, splice clevises allow modular metal framing to be modified for future MEP requirements

Technical data

Material composition	Q355 or better steel
Surface finish	Hot-dip galvanized - for outdoor use

MT-ES-70 OC Splice Connector - Outdoor

Order Designation	Technical data	Sales pack Quantity	Item number	
MT-ES-70 OC	Outdoor, low to moderate pollution (C3 / C4 - low)	8 pc	2272078	

MT-ES-90 OC Splice Connector - Outdoor


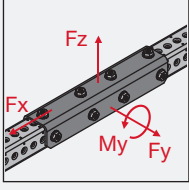

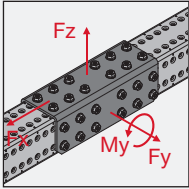
Order Designation	Technical data	Sales pack Quantity	Item number	
MT-ES-90 OC	Outdoor, low to moderate pollution (C3 / C4 - low)	4 pc	2272076	

MT Closed Profiles Connectors

Splice Connectors - Outdoor

4

Technical data MT Splice Connector

Item image	Load drawing	Order Designation	+ Fz	- Fz	± Fx	± Fy	± My
		MT-ES-70 OC	1,7 kN	1,7 kN	26,3 kN	2,3 kN	1,63 kNm
		MT-ES-90 OC	5,0 kN	4,7 kN	44,3 kN	4,7 kN	3,5 kNm

Design note

- Shown load values are recommended values with partial safety factors for actions and resistance included
- Design value = 1,5 * recommended value
- The design resistance of the products is defined in accordance with EN1993

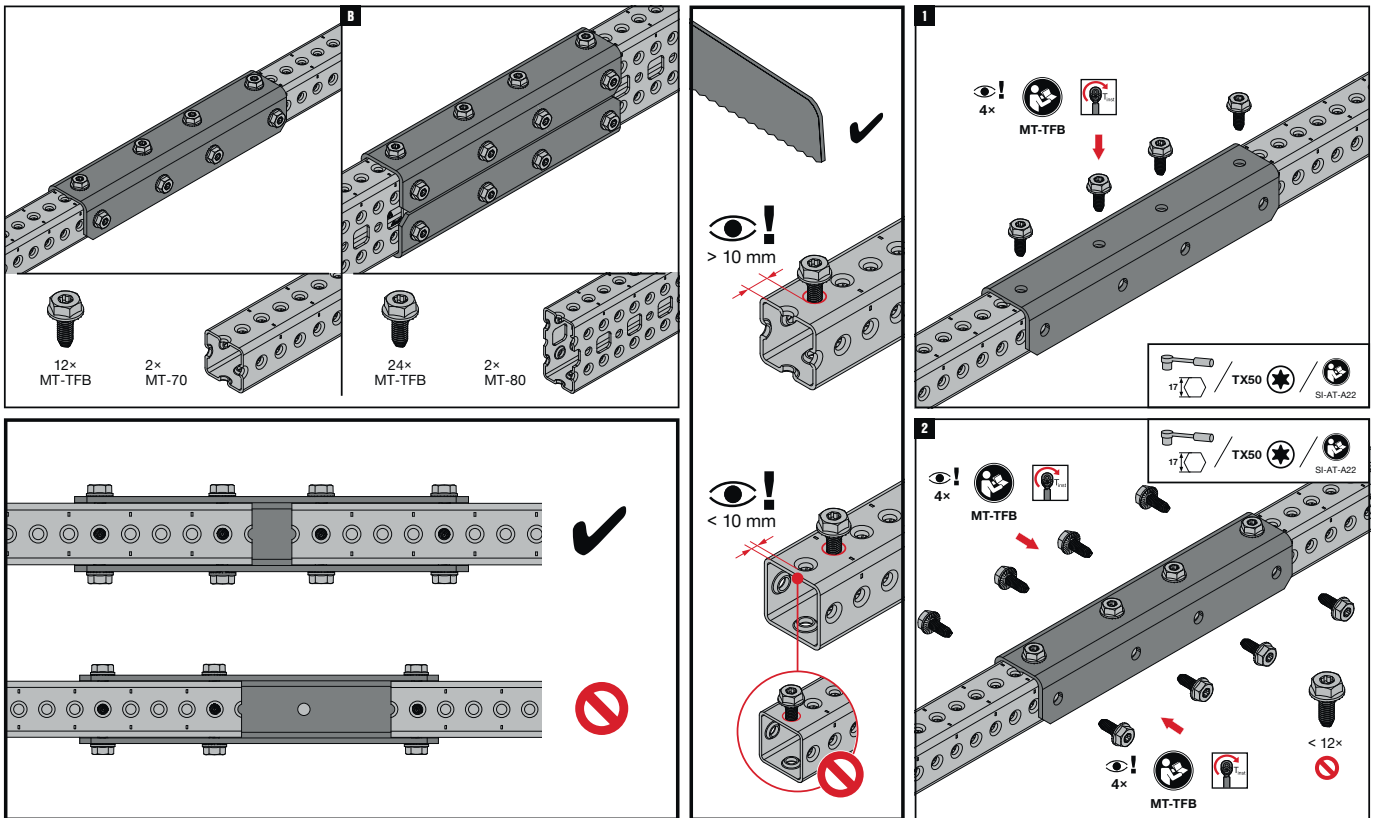
MT Closed Profiles Connectors

Splice Connectors - Outdoor

Operation Instruction

MT-ES-70 OC

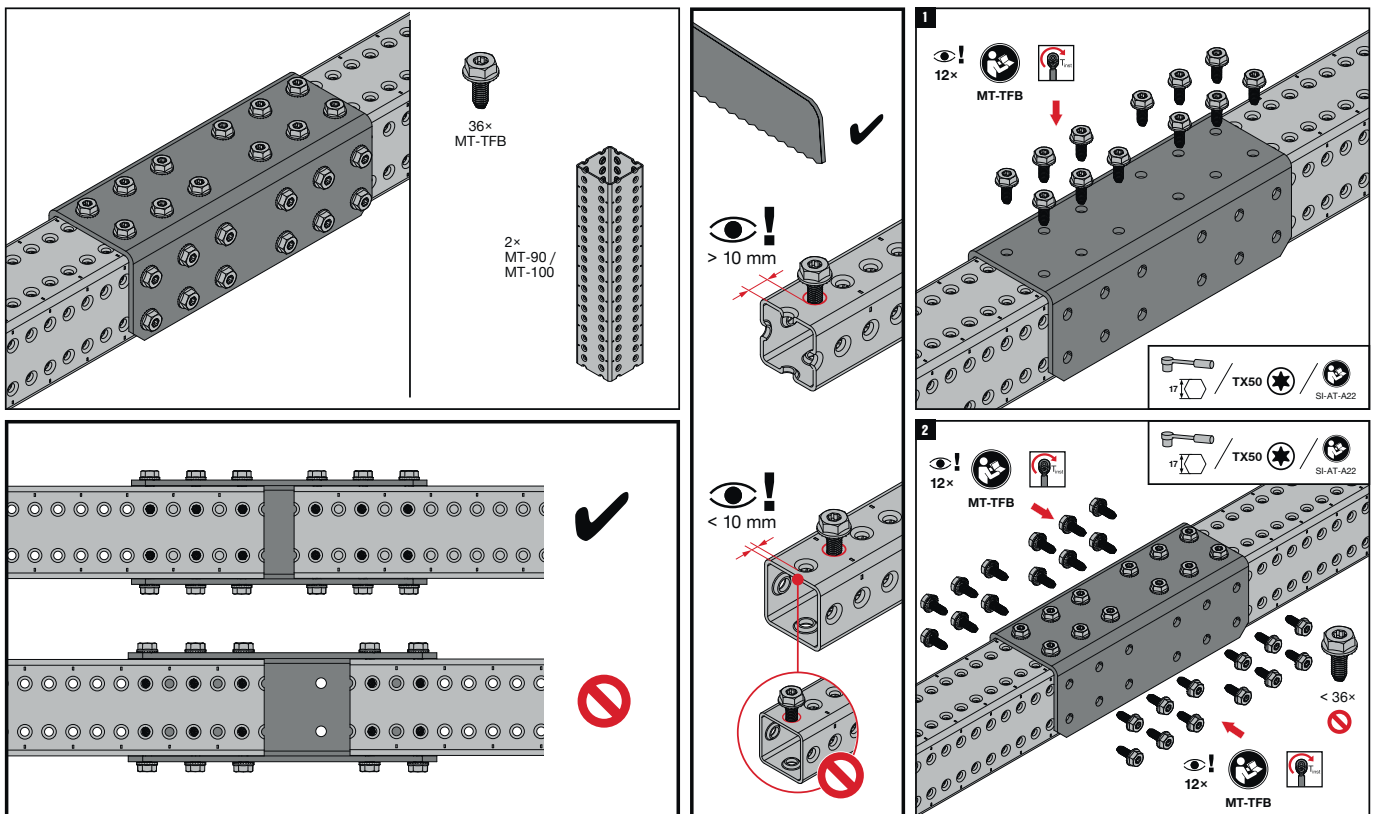
2290693-06.2020



The latest IFU (Instruction For Use) is available on Hilti Online. Please check for any revisions before installing the product.

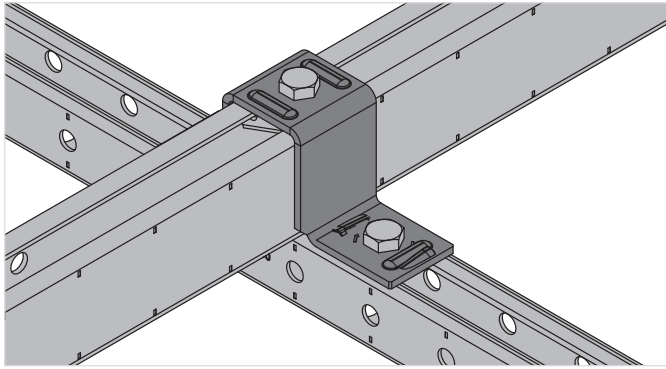
MT-ES-90 OC

2290692-06.2020



The latest IFU (Instruction For Use) is available on Hilti Online. Please check for any revisions before installing the product.

MT Channel Clamp - Outdoor



Applications

- Cross-connection of one strut girder to another channel or girder
- Suitable for use in moderately corrosive environments

Technical data

Material composition	Q355 or better steel
Surface finish	Hot-dip galvanized - for outdoor use

Advantages

- Compatible with MT Twist-Lock and MT Thread Forming Bolt channel connectors – for much faster, adaptable assembly
- Universal – complete many different applications using few parts
- Twist-lock and Thread Forming Bolt channel connector takes up shear and tensile loads

MT-CC-70 OC Channel Clamp - Outdoor

Order Designation	Technical data	Sales pack Quantity	Item number	
MT-CC-70 OC	Outdoor, low to moderate pollution (C3 / C4 - low)	16 pc	2322404	

Technical data Channel Clamp

Item image	Load drawing	Order Designation	+ Fz	- Fz	± Fx	± Fy
		MT-CC-70 OC	-	5,4 kN	2,5 kN	3,6 kN

Design note

- Shown load values are recommended values with partial safety factors for actions and resistance included
- Design value = 1.4 * recommended value
- The design resistance of the products is defined in accordance with EN1993

MT Channel Clamps - Outdoor

Operation Instruction

MT-CC-70

232516-04.2021

A

CC	CI		CII		
MT-CC-30	MT-30	1x MT-TLB		2x MT-TLB	
MT-CC-30D	MT-30D				
MT-CC-55	MT-55	1x MT-TL M10			
MT-CC-55D	MT-55D				
MT-CC-60	MT-60	1x MT-TFB	1x MT-30 / MT-40 / MT-50 / MT-60 / MT-60 / MT-40D	2x MT-TL M10	
MT-CC-70	MT-70				

1

2

MT-TL M10

17mm / SI-AT-A22

B

CC	CI		CII		
MT-CC-30	MT-30	1x MT-TLB		2x MT-TFB	
MT-CC-30D	MT-30D				
MT-CC-55	MT-55	1x MT-TL M10			
MT-CC-55D	MT-55D				
MT-CC-60	MT-60	1x MT-TFB	1x MT-70 / MT-80 / MT-90 / MT-100		
MT-CC-70	MT-70				

1

2

MT-TFB

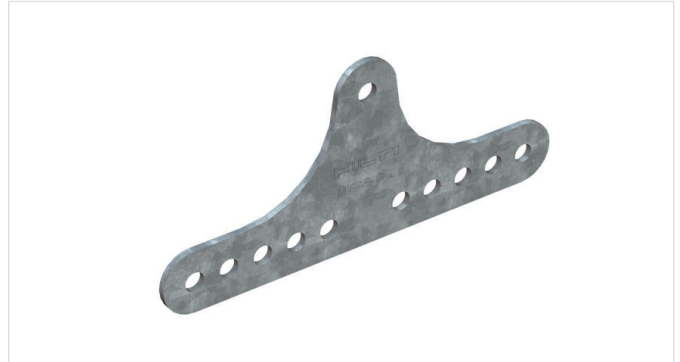
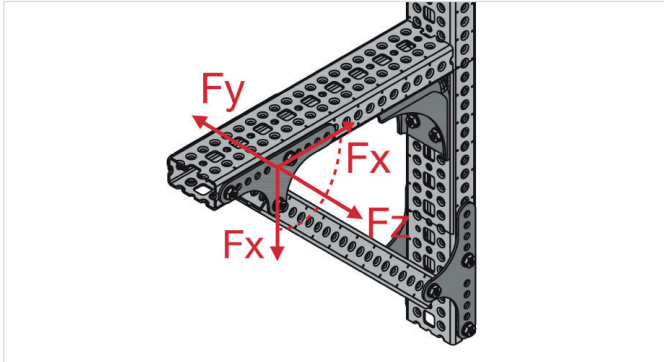
17mm / TX50 / SI-AT-A22

!

90°

The latest IFU (Instruction For Use) is available on Hilti Online. Please check for any revisions before installing the product.

MT Closed Profiles Connectors Brace Connectors - Outdoor



Applications

- Creating a pivoting connection between two MT closed profiles
- Bracing metal framing and MEP support structures
- Suitable for use in moderately corrosive environments

Advantages

- Part of the Hilti MT system – an economical, all-in-one solution for virtually all modular MEP support structures
- Adaptable – unlike welding, modular metal framing can be modified for future MEP requirements
- Extensive software support – PROFIS Modular Support Engineering, the MEP Support Selector, Revit® families, and plug-ins for Staad Pro® and Smart 3D® are all available to streamline design and ordering

Technical data

Material composition	Q355 or better steel
Surface finish	Hot-dip galvanized - for outdoor use

MT-AB-G T OC Angle Brace - Outdoor

Order designation	Technical data	Sales pack Quantity	Item number	
MT-AB-G T OC	Outdoor, low to moderate pollution (C3 / C4 - low)	4 pc	2272116	

Technical Data Angle Brace

Item image	Load drawing	Order Designation	+ Fz	- Fz	± Fx	± Fy
		MT-AB-G T / MT-AB-G T OC	4,3 kN	4,3 kN	21,4 kN	-

Design note

- Shown load values are recommended values with partial safety factors for actions and resistance included
- Design value = 1.5 * recommended value
- The design resistance of the products is defined in accordance with EN1993

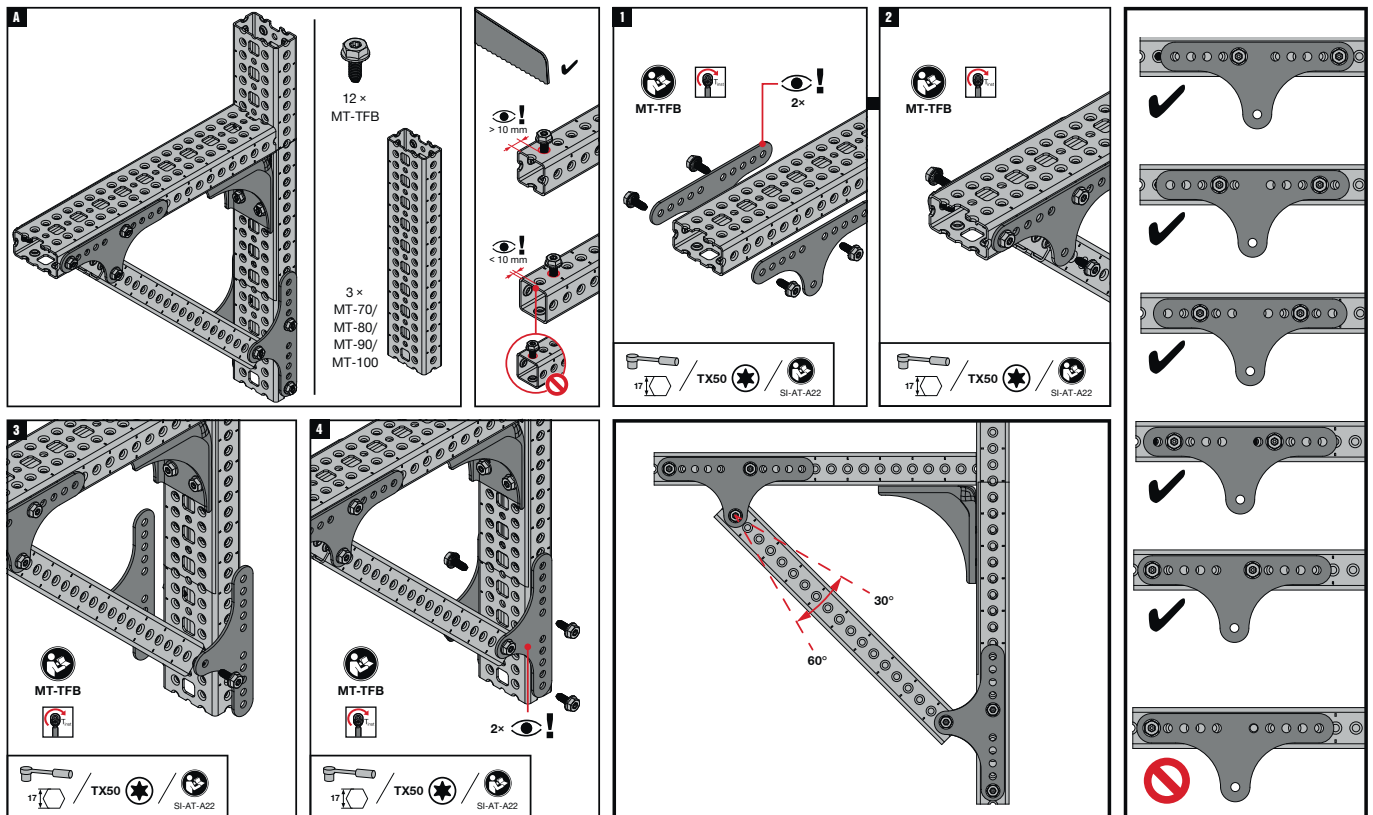
MT Closed Profiles Connectors

Brace Connectors - Outdoor

Operation Instruction

MT-AB-G T OC

2294697-06 2020

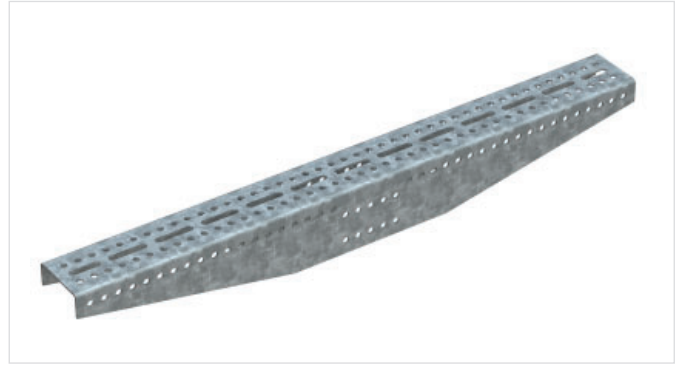


The latest IFU (Instruction For Use) is available on Hilti Online. Please check for any revisions before installing the product.

MT Closed Profiles Connectors

T-beam - Outdoor

4



Applications

- Constructing T-beams to support heavy-duty MEP installations by fastening to an upright MT-90 or MT-100 closed profile
- Suitable for use in moderately corrosive environments

Advantages

- Part of the Hilti MT system – an economical, all-in-one solution for virtually all modular MEP support structures
- Easy to install – one-step assembly using Hilti MT-TFB thread-forming bolts
- Optimized load-to-weight ratio – engineered for maximum pipe ring/cable tray capacity with minimum self-weight

Technical data

Material composition	Q355 or better steel
Surface finish	Hot-dip galvanized - for outdoor use

MT-U-GL1 OC T-beam - Outdoor

Order Designation	Technical data	Sales pack Quantity	Item number	
MT-U-GL1 OC	Outdoor, low to moderate pollution (C3 / C4 - low)	2 pc	2272070	

Technical data T-beam

Item image	Load drawing	Order Designation	+ Fz	- Fz	± Fx	± Fy
		MT-U-GL1 OC	23,8 kN	23,8 kN	68,8 kN	6,8 kN

Design note

- Shown load values are recommended values with partial safety factors for actions and resistance include
- Design value = 1.5 * recommended value
- The design resistance of the products is defined in accordance with EN1993

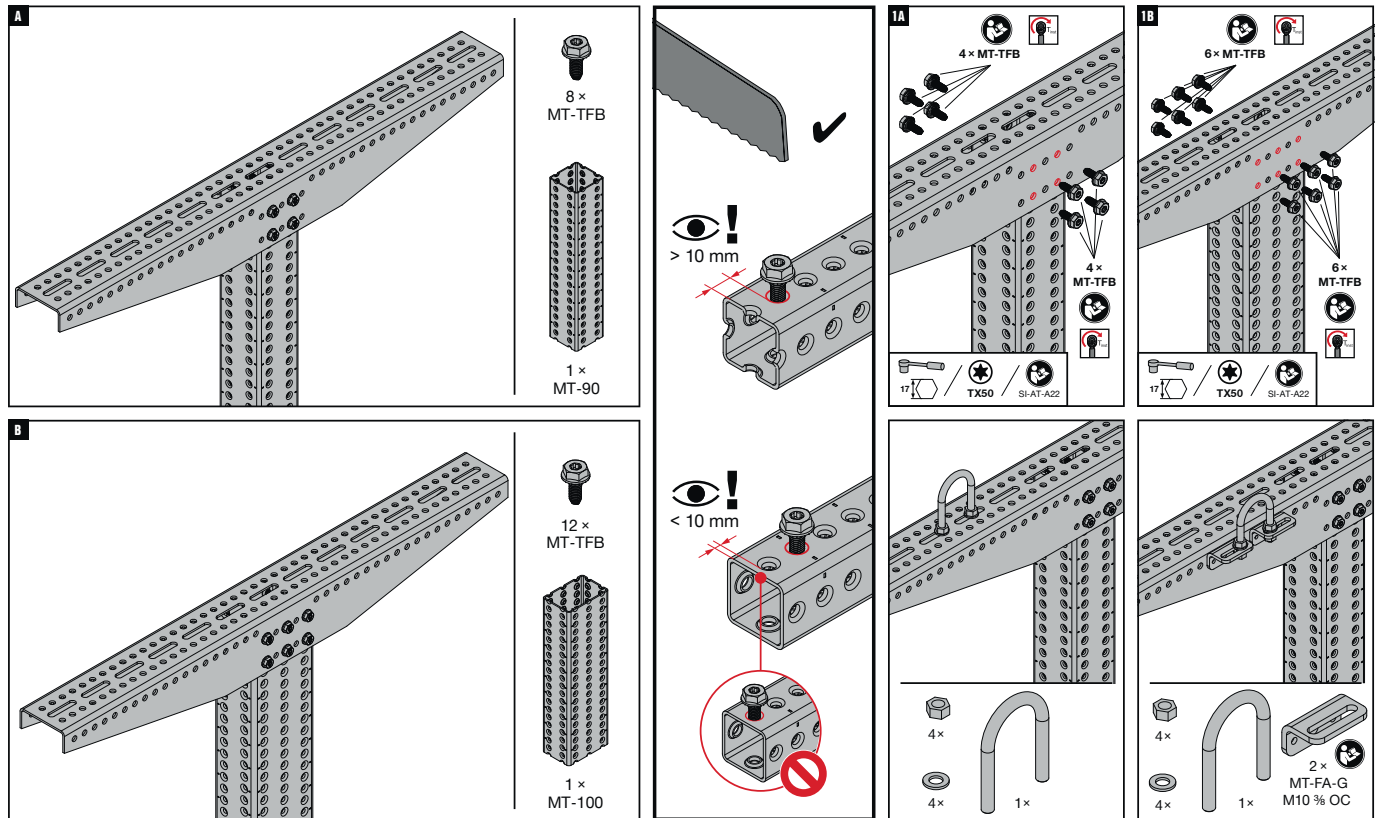
MT Closed Profiles Connectors

T-beam Outdoor

Operation Instruction

MT-C-U-GL 1 OC

2312252-09.2020

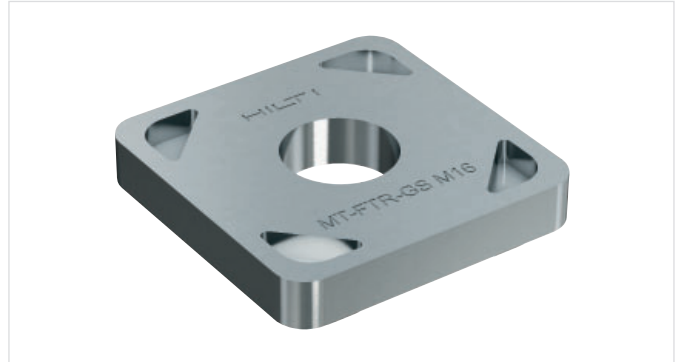
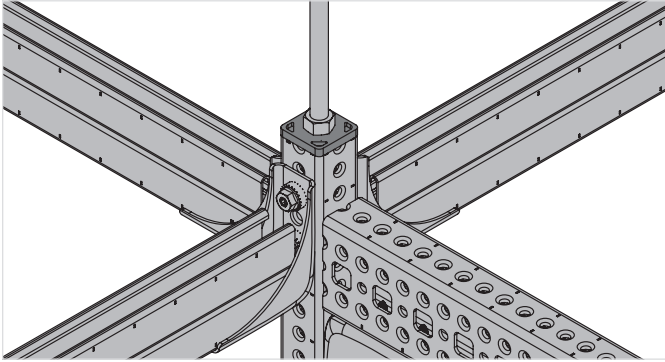


The latest IFU (Instruction For Use) is available on Hilti Online. Please check for any revisions before installing the product.

MT Closed Profiles Connectors

Threaded Rod Guide

4



Applications

- Closing the 2 ends of a MT-70 closed profile
- Building the core of overhead grids
- Suitable for use in dry, indoor environments

Advantages

- Easy to install – adjustable, modular system
- Flexible – overhead grid system offers you high flexibility in terms of number and type of profiles to be used
- Extensive software support – PROFIS Modular Support Engineering, the MEP Support Selector, Revit® families, and plug-ins for Staad Pro® and Smart 3D® are all available to streamline design and ordering

Technical data

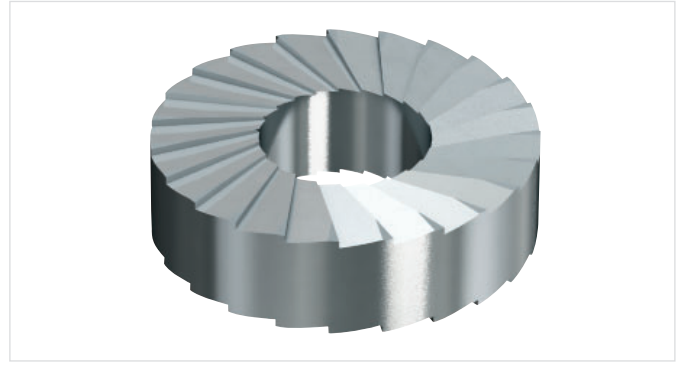
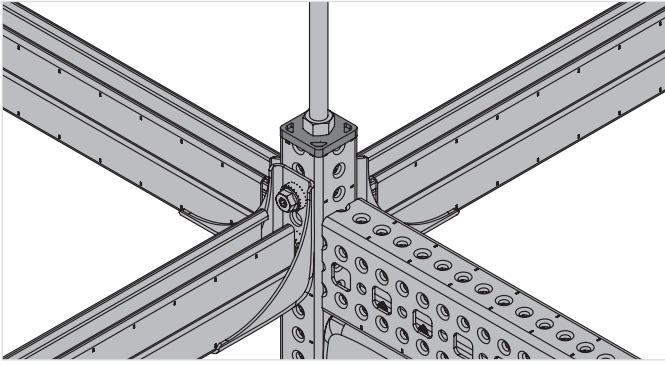
Material composition	Q235 or better steel
Surface finish	Indoor Coated - Electro galvanized

MT-FTR-GS M12 / M16 Threaded Rod Guide

Order designation	Technical data	Sales pack Quantity	Item number	
MT-FTR-GS M12	Dry indoor conditions (C1) Indoor with temporary condensation (C2)	15 pc	2322417	
MT-FTR-GS M16		15 pc	2322418	

MT Closed Profiles Connectors

Thread Forming Bolt Distance Washer



Applications

- Assembling Hilti MT modular MEP support structures

Technical data

Material composition	Q355 or better steel
Surface finish	Indoor Coated - Electro galvanized

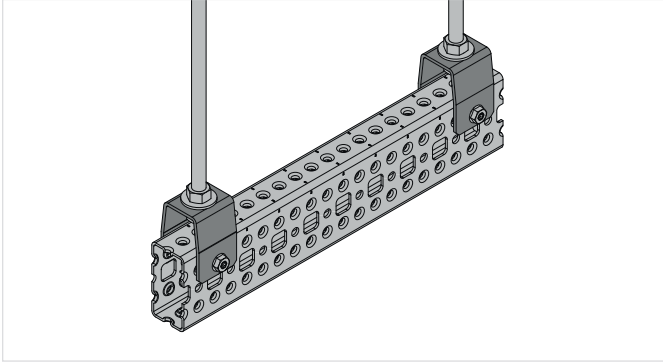
Advantages

- Part of the Hilti MT system – an economical, all-in-one solution for virtually all modular MEP support structures
- Serrated washer – better surface grip to resist loosening over time

MT-FTR-GSW Washer

Order designation	Technical data	Sales pack Quantity	Item number	
MT-FTR-GSW	Dry indoor conditions (C1) Indoor with temporary condensation (C2)	20 pc	2325248	

MT Closed Profiles Connectors
Threaded Rod Fixation - Outdoor



Applications

- Hanger for suspending MT-70 and MT-80 closed profiles from threaded rod to create heavy-duty MEP and HVAC trapeze
- Assembling trapeze for MEP and HVAC installations subject to loads too heavy for strut trapeze

Advantages

- Simpler inventory – these hangers make it possible to use standard MT closed profiles in more situations
- Corrosion resistance – hot-dip galvanized to help protect against moisture and chemical corrosion
- Compatible with MT Thread Forming Bolt channel connectors – for much faster, adaptable assembly

Technical data

Material composition	Q355 or better steel
Surface finish	Hot-dip galvanized - for outdoor use

MT-CTR-GS M12 / M16 OC Threaded Rod Fixation - Outdoor

Order Designation	Technical data	Sales pack Quantity	Item number	
MT-CTR-GS M12 OC	Outdoor, low to moderate pollution (C3 / C4 - low)	16 pc	2332789	
MT-CTR-GS M16 OC		16 pc	2332790	

MT Closed Profiles Connectors

Threaded Rod Fixation - Outdoor

MT-CTR-GL M12 / M16 OC Threaded Rod Fixation - Outdoor

Order Designation	Technical data	Sales pack Quantity	Item number	
MT-CTR-GL M12 OC	Outdoor, low to moderate pollution (C3 / C4 - low)	16 pc	2332793	
MT-CTR-GL M16 OC		16 pc	2332796	

MT Closed Profiles Connectors

Threaded Rod Guide, Threaded Rod Fixation

4

Technical data Threaded rod guide

Item image	Load drawing	Order Designation	+ Fz	- Fz	± Fx	± Fy
		MT-FTR-GS + MT-40 D	-	2,0 kN	-	-
		MT-FTR-GS + MT-80	-	5,0 kN	-	-

Design note

- Shown load values are recommended values with partial safety factors for actions and resistance included
- Design value = 1,4 * recommended value
- The design resistance of the products is defined in accordance with EN1993

Technical data Threaded rod fixation

Item image	Load drawing	Order Designation	+ Fz	- Fz	± Fx	± Fy
		MT-CTR GS M12 OC	-	11,0 kN	-	-
		MT-CTR GS M16 OC	-	11,0 kN	-	-
		MT-CTR GL M12 OC	-	15,0 kN	-	-
		MT-CTR GL M16 OC	-	15,0 kN	-	-

Design note

- Shown load values are recommended values with partial safety factors for actions and resistance included
- Design value = 1,5 * recommended value
- The design resistance of the products is defined in accordance with EN1993

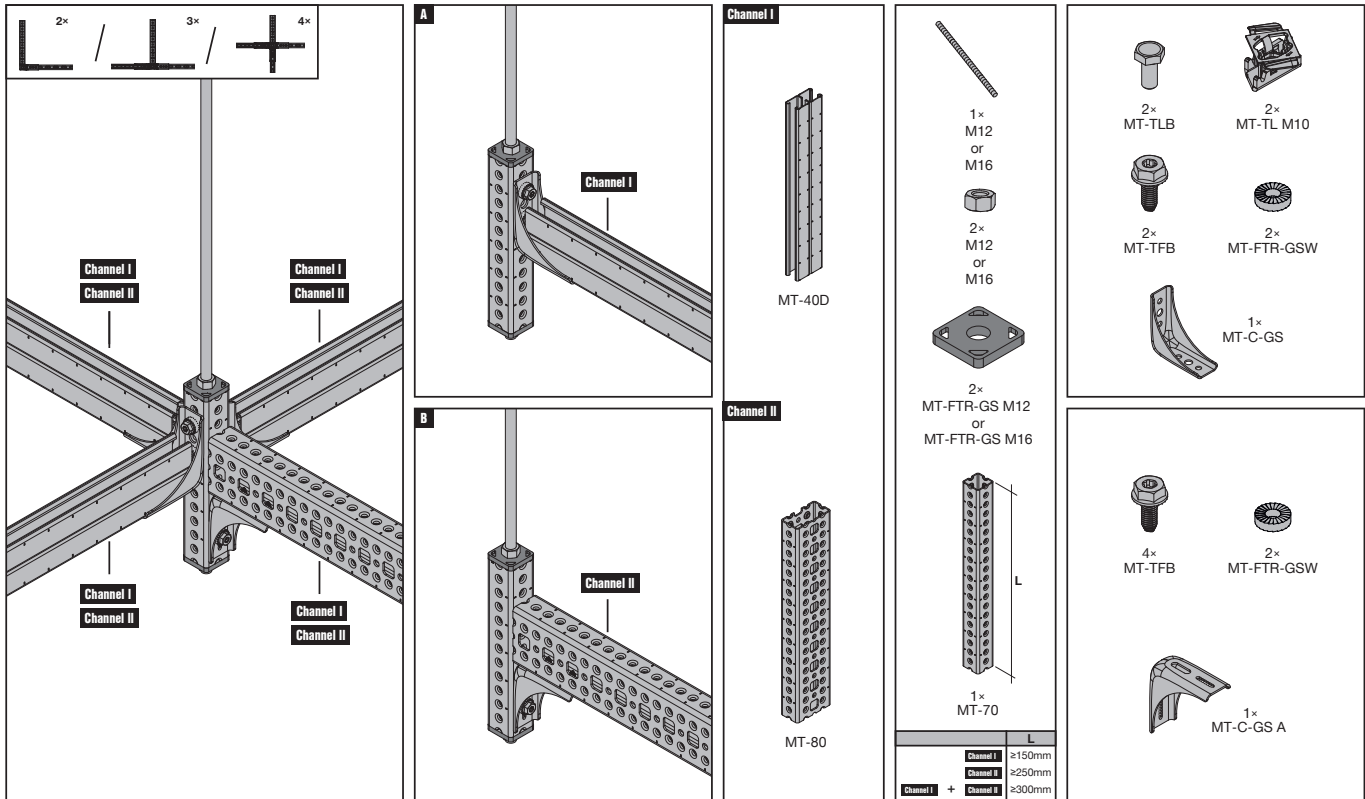
MT Closed Profiles Connectors

Threaded Rod Guide

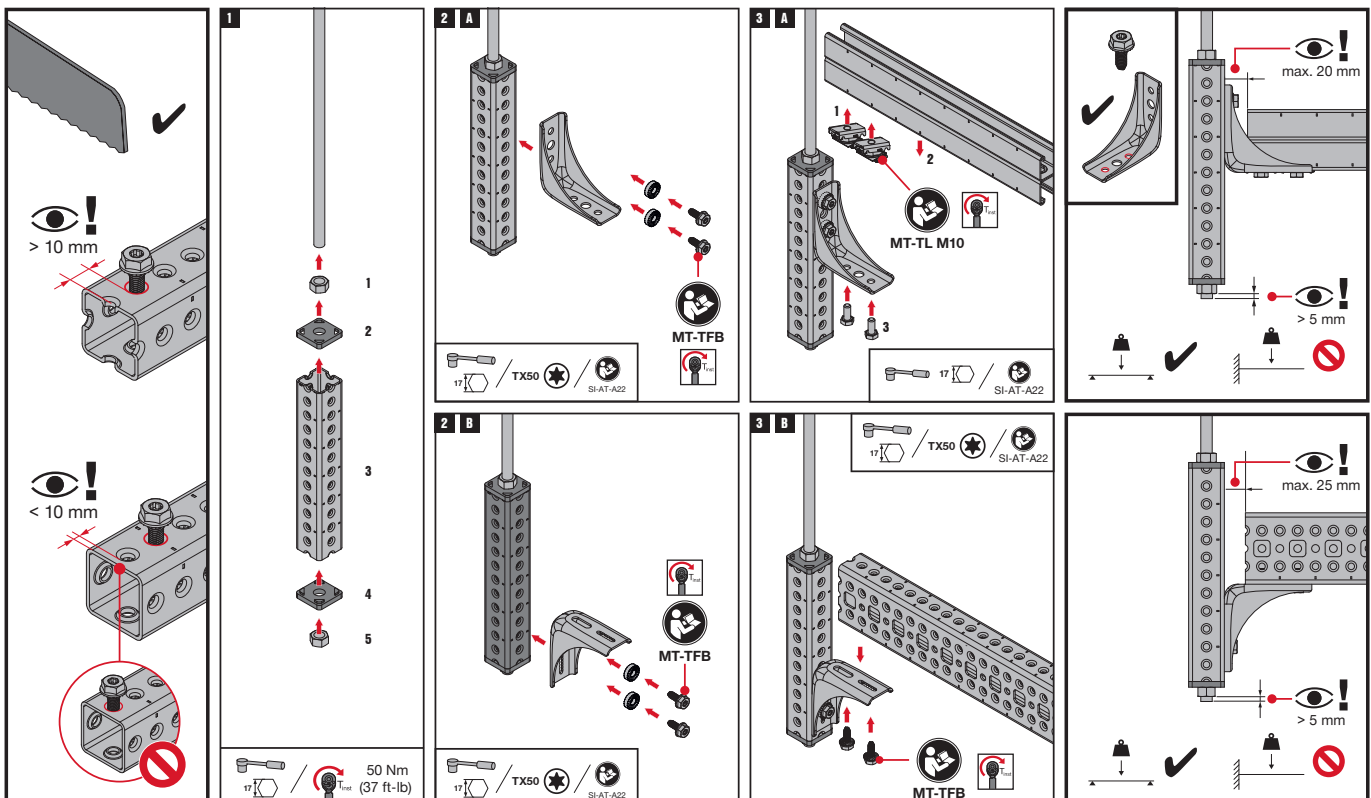
Operation Instruction

MT-FTR-GS M12/M16 / MT-FTR-GSW

2325320-04 2020



The latest IFU (Instruction For Use) is available on Hilti Online. Please check for any revisions before installing the product.

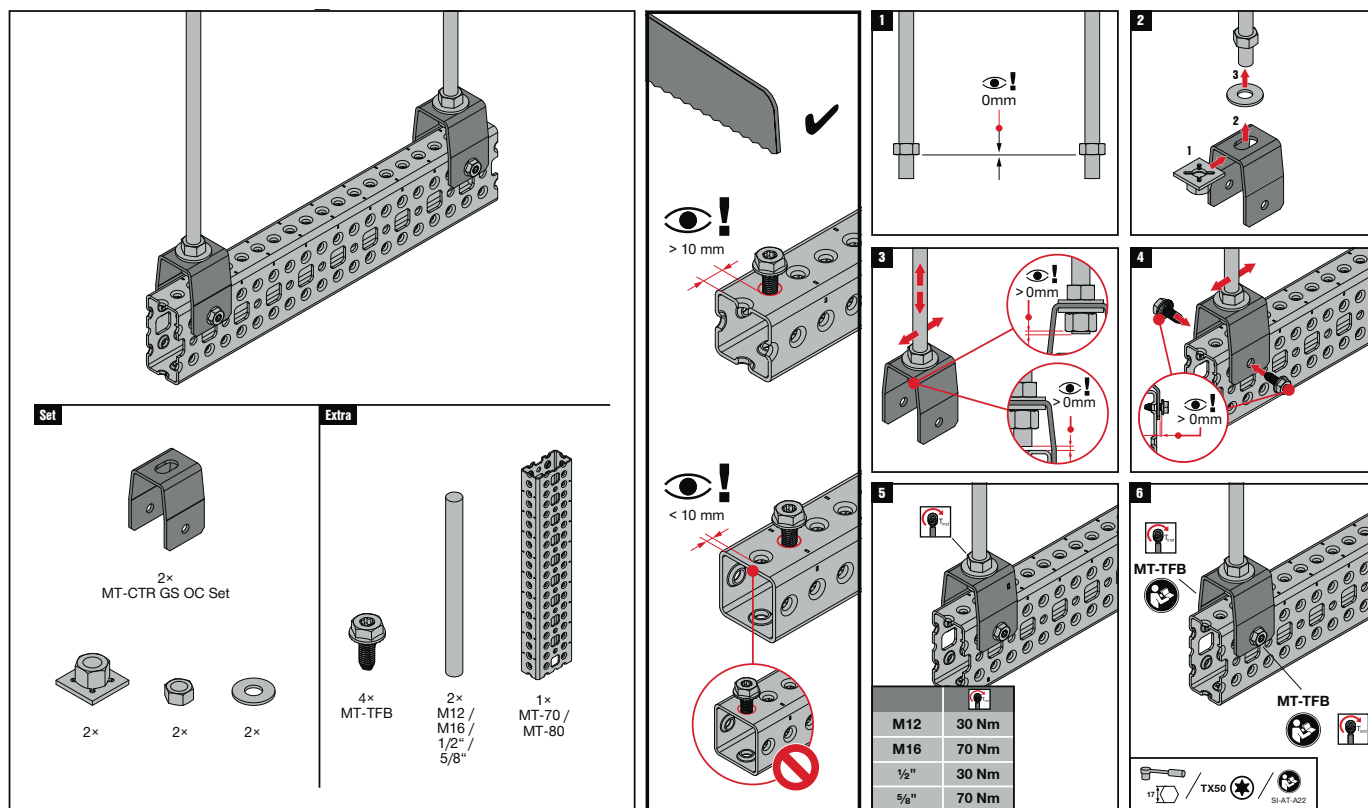


The latest IFU (Instruction For Use) is available on Hilti Online. Please check for any revisions before installing the product.

MT Closed Profiles Connectors Threaded Rod Fixation

Operation Instruction MT-CTR GS OC

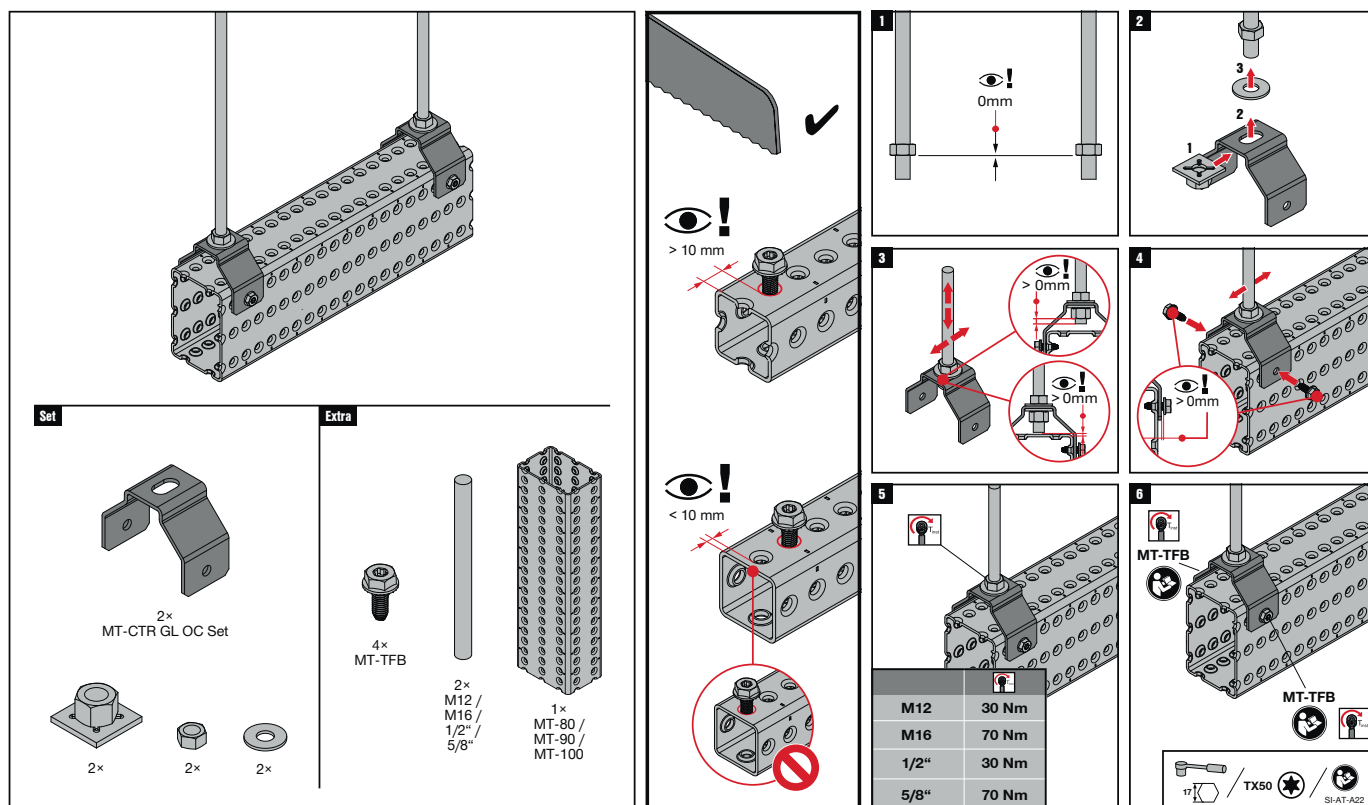
2334574-07.2021



The latest IFU (Instruction For Use) is available on Hilti Online. Please check for any revisions before installing the product.

MT-CTR GL OC

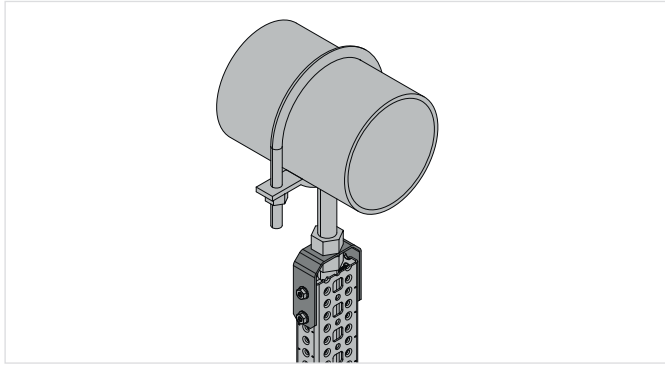
233483-07.2020



The latest IFU (Instruction For Use) is available on Hilti Online. Please check for any revisions before installing the product.

MT Closed Profiles Connectors

Pipe Stanchion - Outdoor



Applications

- Fastening single pipe saddles to the top of a vertical closed profile
- Suitable for outdoor environments with low to moderate pollution (C3)

Technical data

Material composition	Q355 or better steel
Surface finish	Hot-dip galvanized - for outdoor use

Advantages

- Part of the Hilti MT system – an economical, all-in-one solution for virtually all modular MEP support structures
- Simpler installation – full vertical adjustability from the end of the vertical closed profile
- Easier to transport – lower weight compared to previous versions

MT-C-PS 5/8 / 7/8 / 1-1/4 OC Pipe Stanchion - Outdoor

Order Designation	Technical data	Sales pack Quantity	Item number	
MT-C-PS 5/8 OC	Outdoor, low to moderate pollution (C3 / C4 - low)	10 pc	2343196	
MT-C-PS 7/8 OC		10 pc	2343197	
MT-C-PS 1-1/4 OC		10 pc	2343198	

MT Closed Profiles Connectors

Pipe Stanchion - Outdoor

4

Technical data Pipe Stanchion

Item image	Load drawing	Order Designation	+ Fz	- Fz	± Fy
		MT-C-PS 5/8 OC	-	5,6 kN	1,5 kN
		MT-C-PS 7/8 1 OC	-	5,6 kN	1,5 kN
		MT-C-PS 1-1/4 OC	-	5,6 kN	1,5 kN

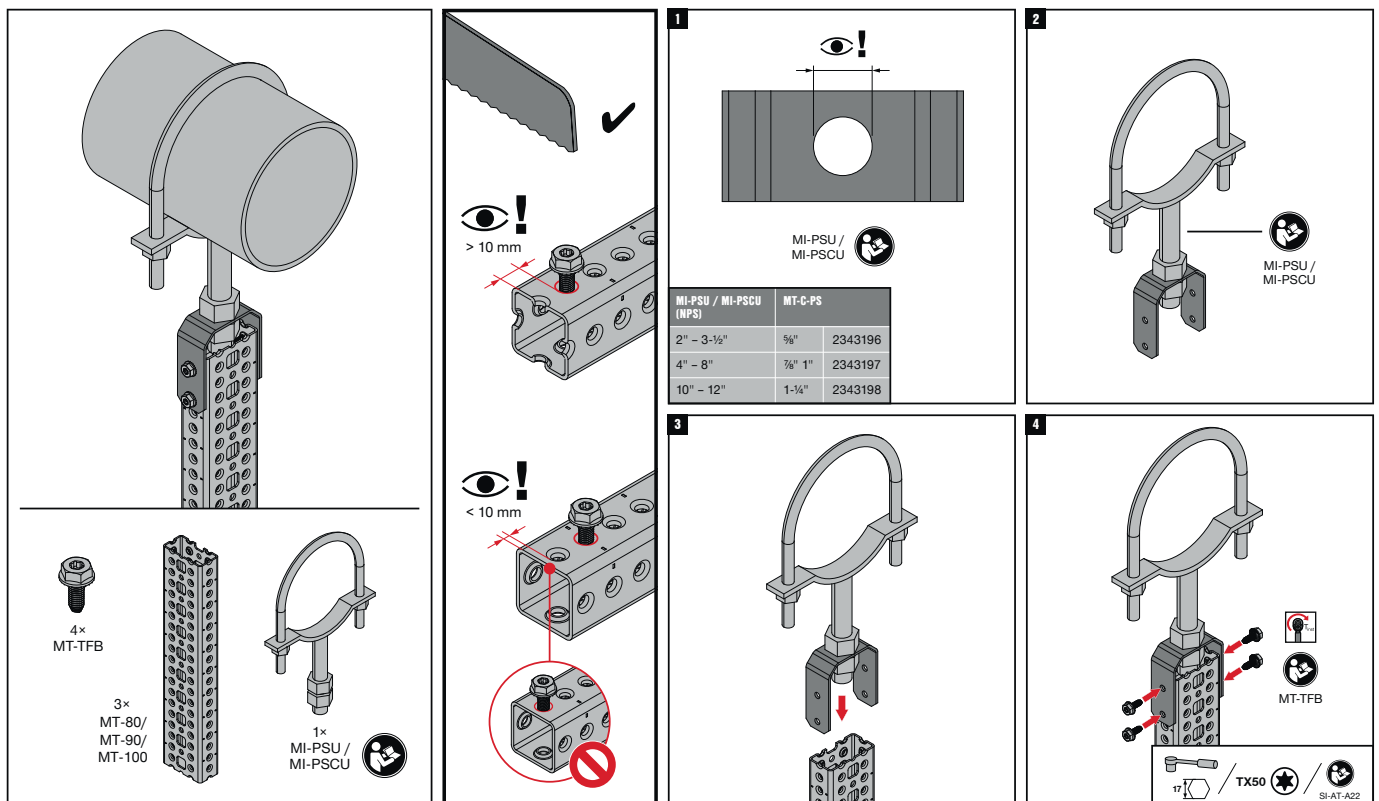
Design note

- Shown load values are recommended values with partial safety factors for actions and resistance included
- Design value = 1.5 * recommended value
- The design resistance of the products is defined in accordance with EN1993

Operation Instruction

MT-C-PS 5/8 OC / MT-C-PS 7/8 OC / MT-C-PS 1-1/4 OC

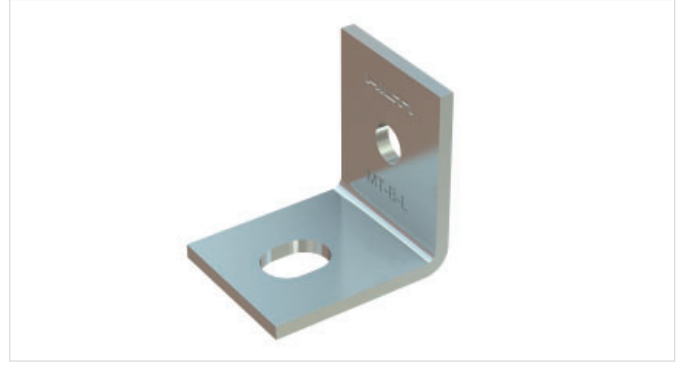
2347906-10.2021



The latest IFU (Instruction For Use) is available on Hilti Online. Please check for any revisions before installing the product.

MT Open C-channel (Strut) Base Material Connectors

90° Connectors



Applications

- Fastening MT strut channel to concrete floors, walls or ceilings
- Fastening MT strut channel to structural steel
- Anchoring metal framing and MEP support structures with extra-light loads to a base material

Advantages

- Part of the Hilti MT system – an economical, all-in-one solution for virtually all modular MEP support structures
- Easy to install – compatible with the Hilti MT Twist-Lock, a faster alternative to spring nuts for assembling a modular support system
- Adjustable – slotted anchor hole to simplify baseplate positioning and fastening

Technical data

Material composition	Q235 or better steel
Surface finish	Pre-galvanized - for dry indoor use only

MT-B-L Base Material Connector 1-hole

Order Designation	Technical Data	Sales pack quantity	Item number	
MT-B-L	Dry indoor conditions (C1) Indoor with temporary condensation (C2)	20 pc	2272086	

MT-B-T Base Material Connector 2-hole

Order Designation	Technical Data	Sales pack quantity	Item number	
MT-B-T	Dry indoor conditions (C1) Indoor with temporary condensation (C2)	20 pc	2272090	

MT Open C-channel (Strut) Base Material Connectors

90° Connectors

5

MT-B-O2 Base Material Connector - 2 hole

Order Designation	Length	Thickness	Weight	Technical data	Sals pack quantity	Item number	
MT-B-O2	185 mm	4 mm	1027 g	Dry indoor conditions (C1) Indoor with temporary condensation (C2)	12 pc	2272094	

MT-B-O2B Base Material Connector - 2 hole

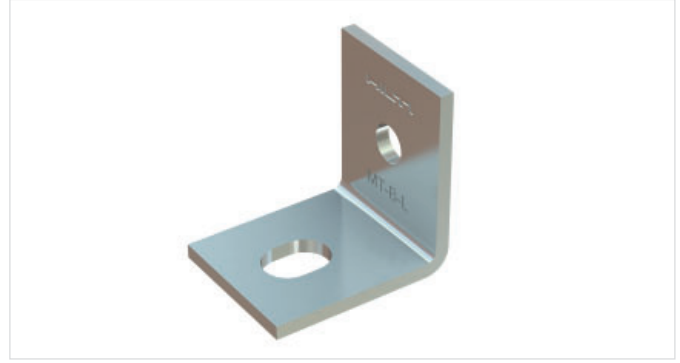
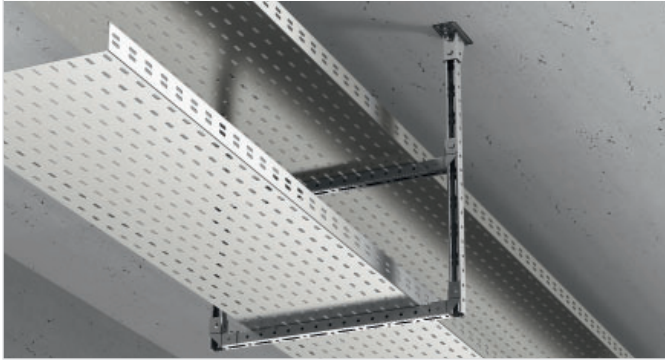
Order Designation	Length	Thickness	Weight	Technical data	Sals pack quantity	Item number	
MT-B-O2B	200 mm	8 mm	2072 g	Dry indoor conditions (C1) Indoor with temporary condensation (C2)	6 pc	2282212	

MT-B-O4 Base Material Connector - 4 hole

Order Designation	Length	Thickness	Weight	Technical data	Sals pack quantity	Item number	
MT-B-O4	200 mm	8 mm	3315 g	Dry indoor conditions (C1) Indoor with temporary condensation (C2)	4 pc	2272098	

MT Open C-channel (Strut) Base Material Connectors

90° Connectors - Outdoor



Applications

- Fastening MT strut channel to concrete floors, walls or ceilings
- Fastening MT strut channel to structural steel
- Anchoring metal framing and MEP support structures with extra-light loads to a base material

Advantages

- Part of the Hilti MT system – an economical, all-in-one solution for virtually all modular MEP support structures
- Easy to install – compatible with the Hilti MT Twist-Lock, a faster alternative to spring nuts for assembling a modular support system
- Adjustable – slotted anchor hole to simplify baseplate positioning and fastening

Technical data

Material composition	Q235 or better steel
Surface finish	Hot-dip galvanized - for outdoor use

MT-B-L OC Base Material Connector - 1-hole - Outdoor

Order Designation	Length	Thickness	Weight	Technical data	Sals pack quantity	Item number	
MT-B-L OC	52 mm	4 mm	119 g	Outdoor, low to moderate pollution (C3 / C4 - low)	20 pc	2272088	

MT-B-T OC Base Material Connector - 2-hole - Outdoor

Order Designation	Length	Thickness	Weight	Technical data	Sals pack quantity	Item number	
MT-B-T OC	112 mm	2 mm	569 g	Outdoor, low to moderate pollution (C3 / C4 - low)	20 pc	2272092	

MT Open C-channel (Strut) Base Material Connectors

90° Connectors - Outdoor

5

MT-B-02 OC Base Material Connector - 2-hole - Outdoor

Order Designation	Length	Thickness	Weight	Technical data	Sals pack quantity	Item number	
MT-B-02 OC	185 mm	4 mm	1031 g	Outdoor, low to moderate pollution (C3 / C4 - low)	12 pc	2272096	

MT-B-02B OC Base Material Connector - 2-hole - Outdoor

Order Designation	Length	Thickness	Weight	Technical data	Sals pack quantity	Item number	
MT-B-02B OC	200 mm	8 mm	2072 g	Outdoor, low to moderate pollution (C3 / C4 - low)	6 pc	2282213	

MT-B-04 OC Base Material Connector - 4-hole - Outdoor

Order Designation	Length	Thickness	Weight	Technical data	Sals pack quantity	Item number	
MT-B-04 OC	200 mm	8 mm	3315 g	Outdoor, low to moderate pollution (C3 / C4 - low)	4 pc	2272099	

MT Open C-channel (Strut) Base Material Connectors

90° Connectors

Technical data Base Material Connectors

Item image	Load drawing	Order Designation	+ Fz	- Fz	± Fx	± Fy
		MT-B-L / MT-B-L OC	5,0 kN	2,1 kN	2,1 kN	0,0 kN
		MT-B-T / MT-B-T OC	0,6 kN	0,6 kN	6,0 kN	1,2 kN
		MT-B-O2 / MT-B-O2 OC	5,2 kN	5,2 kN	9,0 kN	1,7 kN
		MT-B-O2B / MT-B-O2B OC	19,2 kN	19,2 kN	12,6 kN	3,6 kN
		MT-B-O4B / MT-B-O4B OC	19,2 kN	19,2 kN	12,6 kN	3,6 kN

Design note

- Shown load values are recommended values with partial safety factors for actions and resistance included
- Design value = 1.4 * recommended value
- The design resistance of the products is defined in accordance with EN1993

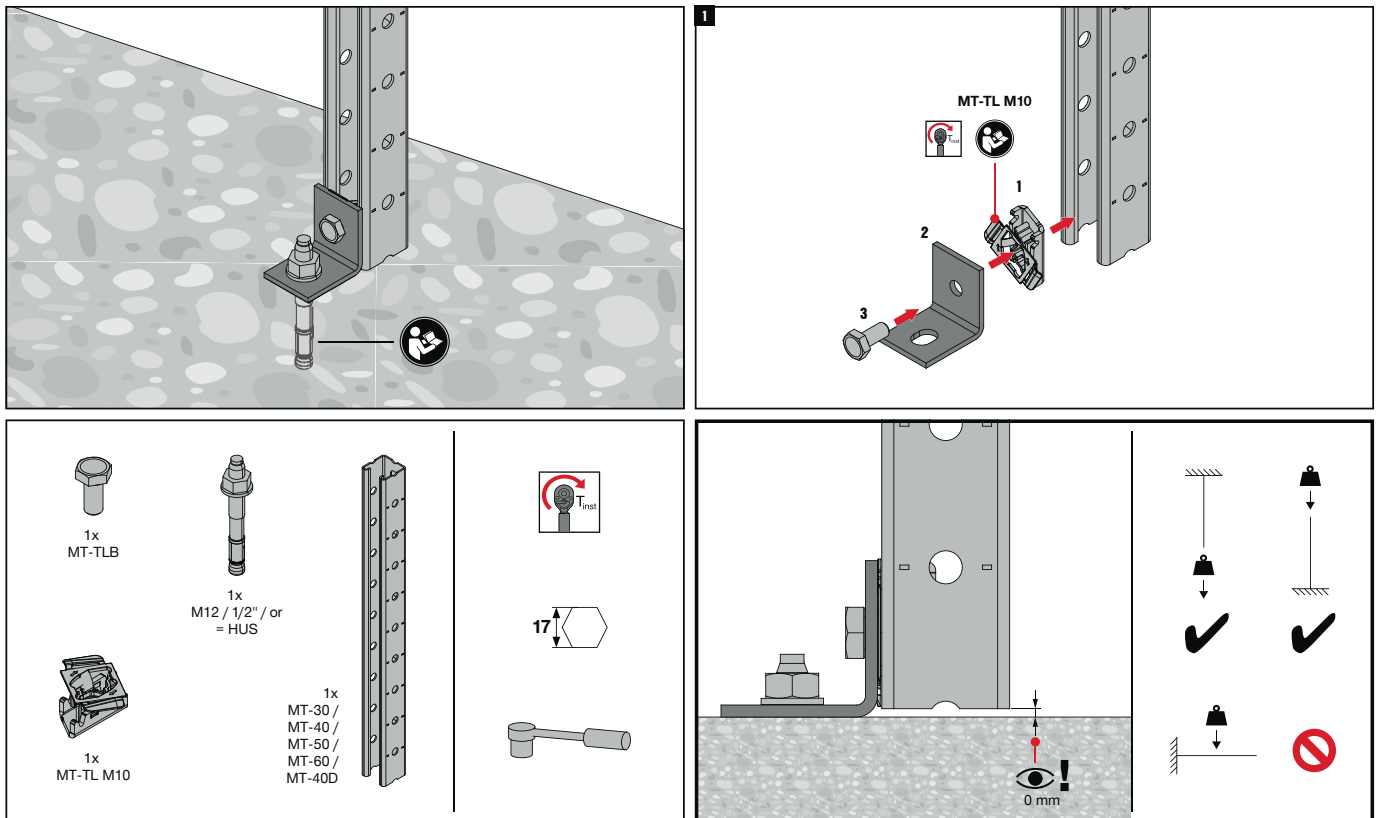
MT Open C-channel (Strut) Base Material Connectors

90° Connectors

Operation Instruction

MT-B-L / MT-B-L OC

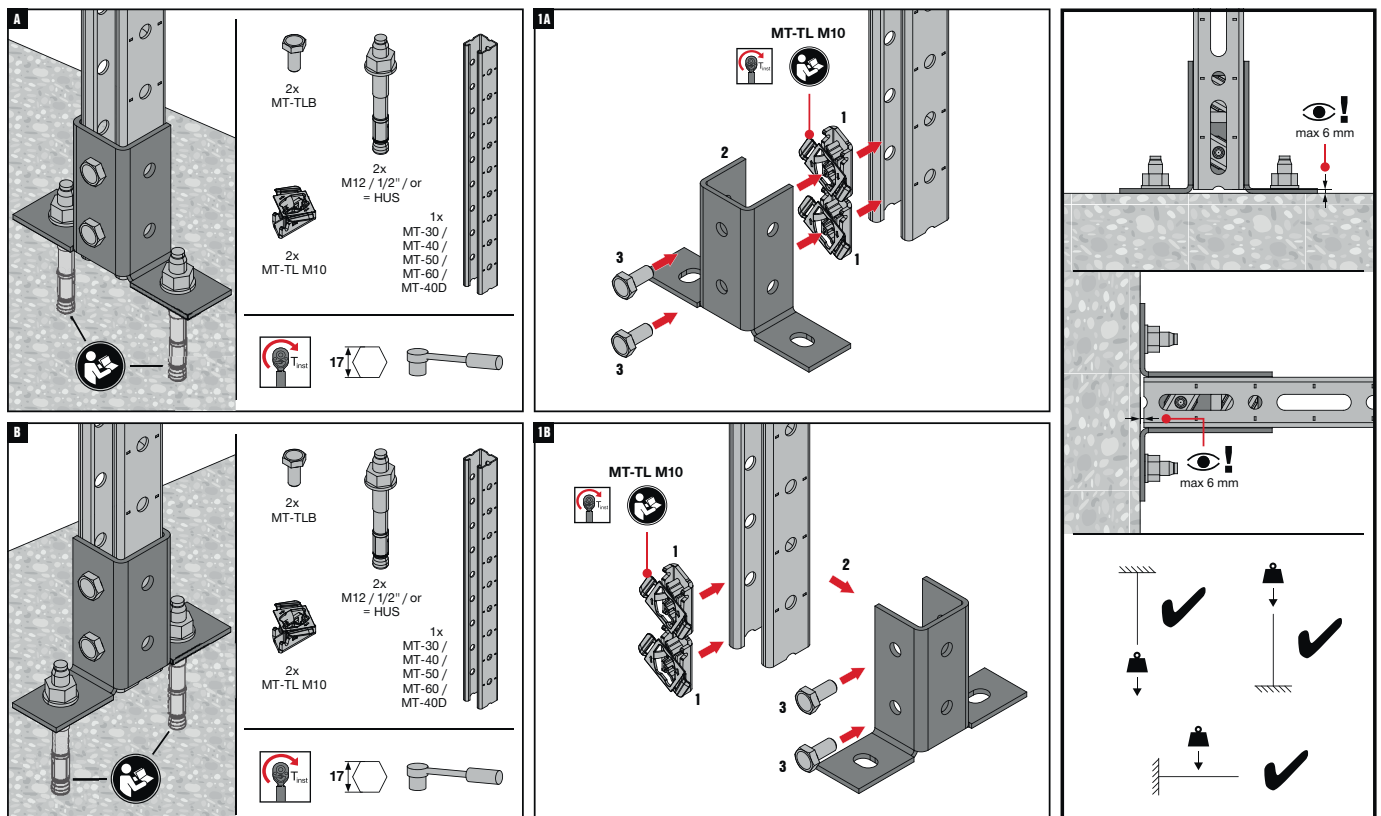
2288351-04.2020



The latest IFU (Instruction For Use) is available on Hilti Online. Please check for any revisions before installing the product.

MT-B-T / MT-B-T OC

2288352-06.2020



The latest IFU (Instruction For Use) is available on Hilti Online. Please check for any revisions before installing the product.

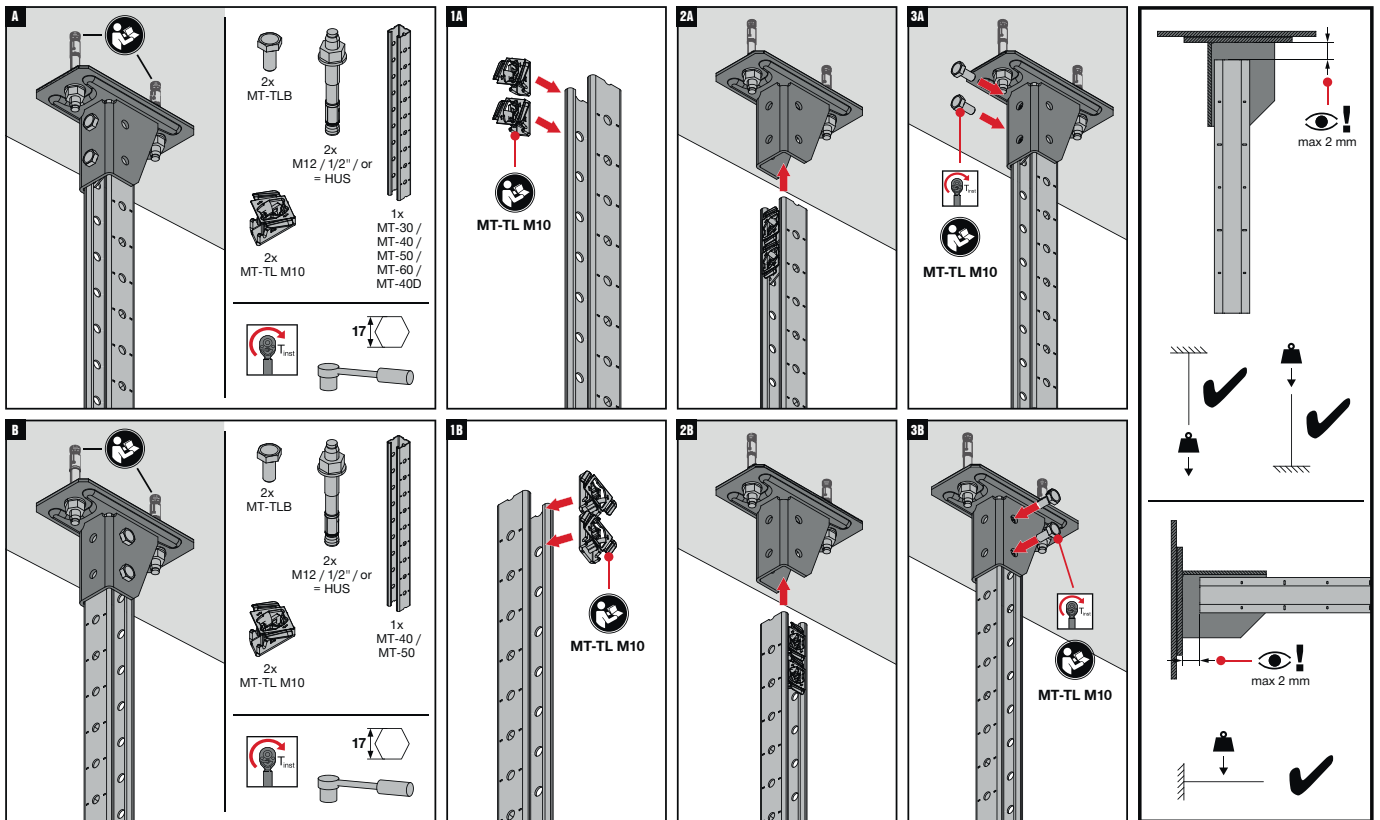
MT Open C-channel (Strut) Base Material Connectors

90° Connectors

Operation Instruction

MT-B-02 / MT-B-02 OC

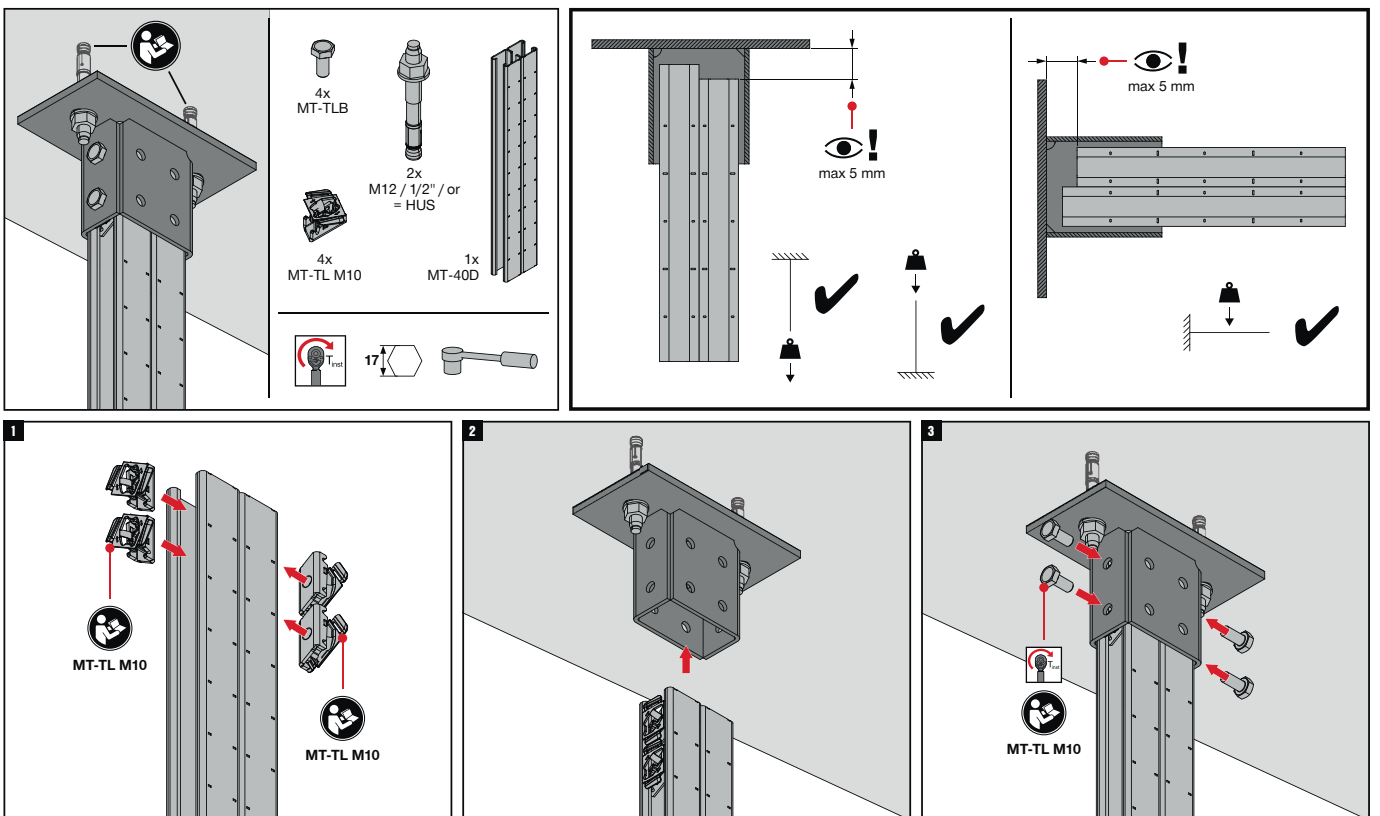
2288353-09.2020



The latest IFU (Instruction For Use) is available on Hilti Online. Please check for any revisions before installing the product.

MT-B-02B / MT-B-02B OC

2288354-09.2020



The latest IFU (Instruction For Use) is available on Hilti Online. Please check for any revisions before installing the product.

MT Open C-channel (Strut) Base Material Connectors

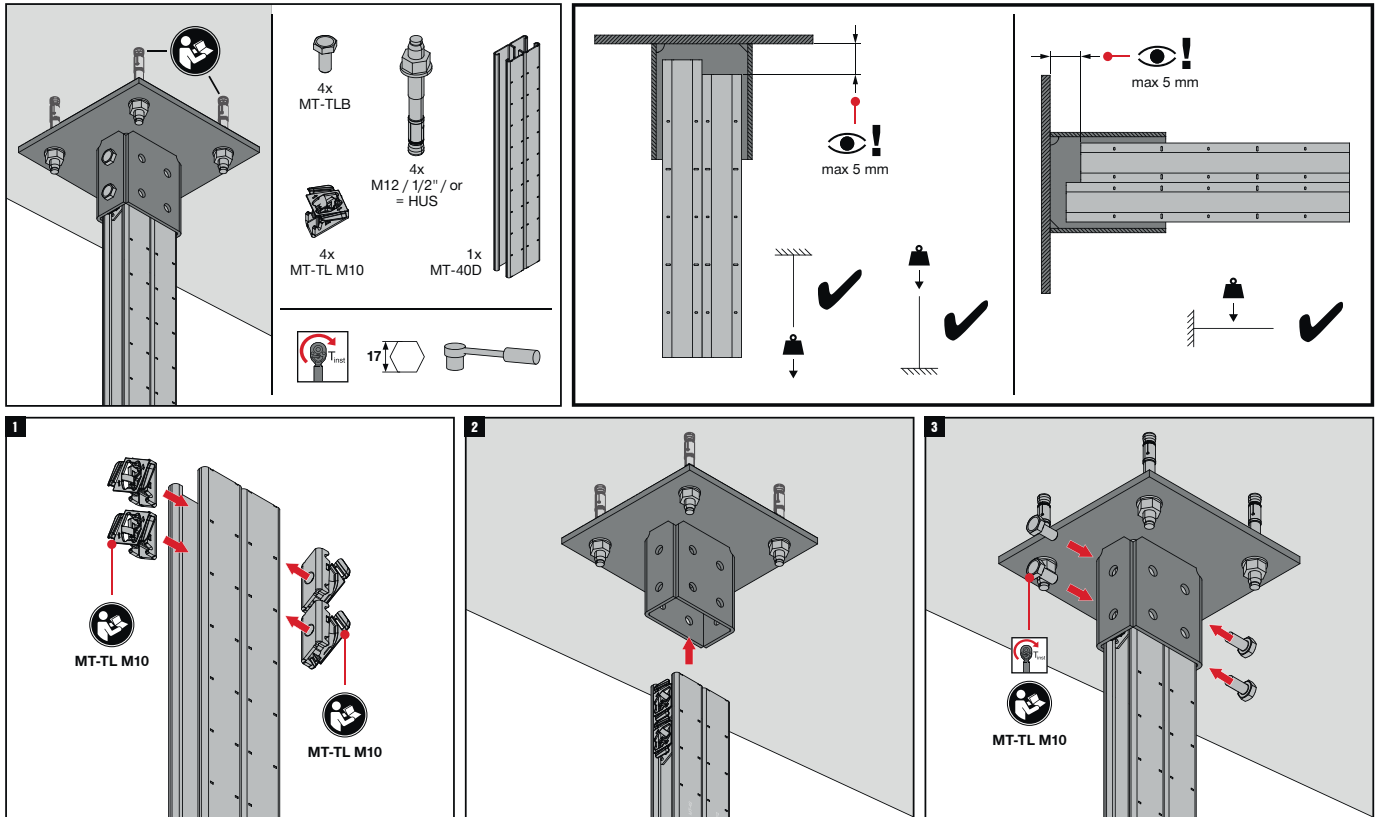
90° Connectors

5

Operation Instruction

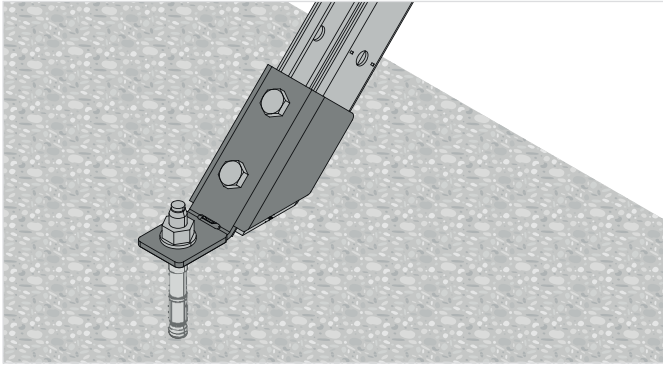
MT-B-04 / MT-B-04 OC

2288355-09.2020



The latest IFU (Instruction For Use) is available on Hilti Online. Please check for any revisions before installing the product.

MT Open C-channel (Strut) Base Material Connectors Angle Brace



Applications

- Anchoring MT-40 or MT-50 strut channels to concrete at a 45-degree angle for use as lateral bracing
- Lateral bracing of lightweight metal framing and MEP support structures
- Suitable for use in dry, indoor environments

Advantages

- Part of the Hilti MT system – an economical, all-in-one solution for virtually all modular MEP support structures
- Easy to install – compatible with the Hilti MT Twist-Lock, a faster alternative to spring nuts for assembling a modular support system
- Part of a complete Hilti solution – compatible with our direct fastening and anchoring solutions

Technical data

Material composition	Q235 or better steel
Surface finish	Pre-galvanized - for dry indoor use only

MT-AB-L 45 Angle Brace

Order Designation	Thickness	Weight	Technical data	Sales pack quantity	Item number	
MT-AB-L 45	4 mm	427 g	Dry indoor conditions (C1) Indoor with temporary condensation (C2)	10 pc	2272113	

MT-AB-LL2 45 Angle Brace

Order Designation	Thickness	Weight	Technical data	Sales pack quantity	Item number	
MT-AB-LL2 45	4 mm	553 g	Dry indoor conditions (C1) Indoor with temporary condensation (C2)	10 pc	2272115	

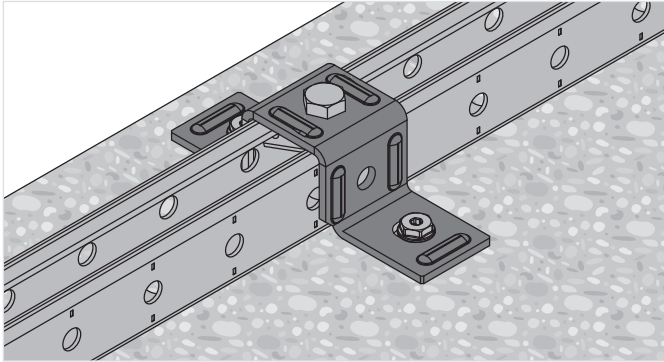
MT-AB set Angle Brace adjustable

Order Designation	Thickness	Weight	Technical data	Sales pack quantity	Item number	
MT-AB A set	4 mm	441 g	Dry indoor conditions (C1) Indoor with temporary condensation (C2)	12 pc	2346395	

MT Open C-channel (Strut) Base Material Connectors

Channel Clamp

5



Applications

- Cross-connection of one strut channel to concrete
- Suitable for use in dry, indoor environments

Advantages

- Compatible with MT Twist-Lock and MT Thread Forming Bolt channel connectors – for much faster, adaptable assembly
- Universal – complete many different applications using few parts
- Twist-lock and Thread Forming Bolt channel connector takes up shear and tensile loads

Technical data

Material composition	Q235 or better steel
Surface finish	Indoor Coated - Electro galvanized

MT-CC-BC 40/50 Base Material Connector - Channel Clamp

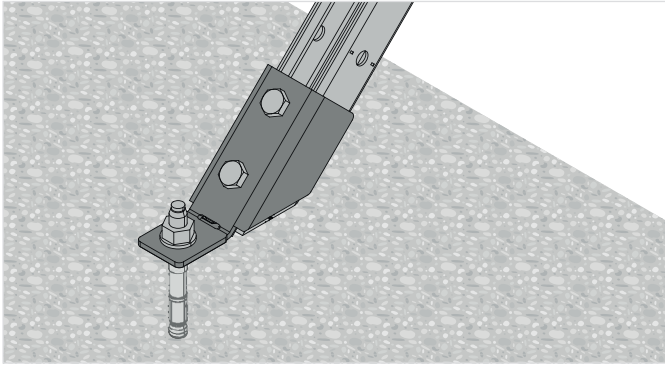
Order Designation	Thickness	Weight	Technical data	Sales pack quantity	Item number	
MT-CC-BC 40/50	4 mm	326 g	Dry indoor conditions (C1) Indoor with temporary condensation (C2)	20 pc	2322432	

MT-CC-BS 40/50 Base Material Connector - Channel Clamp

Order Designation	Thickness	Weight	Technical data	Sales pack quantity	Item number	
MT-CC-BS 40/50	4 mm	326 g	Dry indoor conditions (C1) Indoor with temporary condensation (C2)	20 pc	2322402	

MT Open C-channel (Strut) Base Material Connectors

Angle Brace - Outdoor



Applications

- Anchoring MT-40 or MT-50 strut channels to concrete at a 45-degree angle for use as lateral bracing
- Lateral bracing of lightweight metal framing and MEP support structures
- Suitable for use in moderately corrosive environments

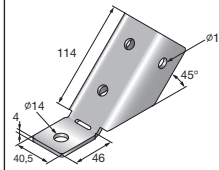
Advantages

- Part of the Hilti MT system – an economical, all-in-one solution for virtually all modular MEP support structures
- Easy to install – compatible with the Hilti MT Twist-Lock, a faster alternative to spring nuts for assembling a modular support system
- Part of a complete Hilti solution – compatible with our direct fastening and anchoring solutions

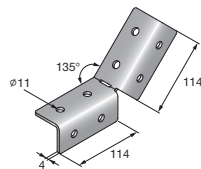
Technical data

Material composition	Q235 or better steel
Surface finish	Outdoor Coated - HDG

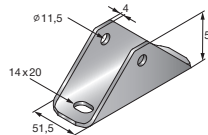
MT-AB-L 45 OC Angle Brace - Outdoor

Order Designation	Thickness	Weight	Technical data	Sales pack quantity	Item number	
MT-AB-L 45 OC	4 mm	427 g	Outdoor, low to moderate pollution (C3 / C4 - low)	10 pc	2272114	

MT-AB-LL2 45 OC Angle Brace - Outdoor

Order Designation	Thickness	Weight	Technical data	Sales pack quantity	Item number	
MT-AB-LL2 45 OC	4 mm	553 g	Outdoor, low to moderate pollution (C3 / C4 - low)	10 pc	2273585	

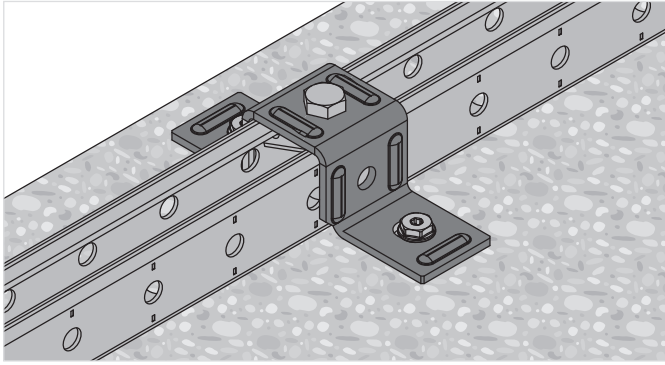
MT-AB A OC Angle Brace Adjustable - Outdoor

Order Designation	Thickness	Weight	Technical data	Sales pack quantity	Item number	
MT-AB A OC set	4 mm	44 g	Outdoor, low to moderate pollution (C3 / C4 - low)	12 pc	2346396	

MT Open C-channel (Strut) Base Material Connectors

Channel Clamp - Outdoor

5



Applications

- Cross-connection of one strut girder to another channel or girder
- Suitable for use in moderately corrosive environments

Technical data

Material composition	Q235 or better steel
Surface finish	Outdoor Coated - HDG

Advantages

- Compatible with MT Twist-Lock and MT Thread Forming Bolt channel connectors – for much faster, adaptable assembly
- Universal – complete many different applications using few parts
- Twist-lock and Thread Forming Bolt channel connector takes up shear and tensile loads

MT-CC-BC 40/50 OC Base Material Connector - Channel Clamp - Outdoor

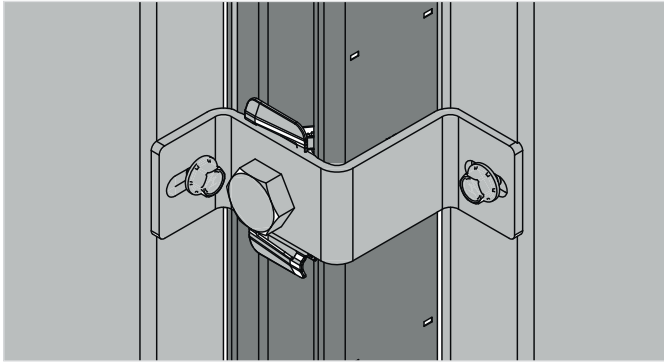
Order Designation	Thickness	Weight	Technical data	Sales pack quantity	Item number	
MT-CC-BC 40/50 OC	4 mm	326 g	Outdoor, low to moderate pollution (C3 / C4 - low)	20 pc	2322401	

MT-CC-BS 40/50 OC Base Material Connector - Channel Clamp - Outdoor

Order Designation	Thickness	Weight	Technical data	Sales pack quantity	Item number	
MT-CC-BS 40/50 OC	4 mm	326 g	Outdoor, low to moderate pollution (C3 / C4 - low)	20 pc	2322403	

MT Open C-channel (Strut) Base Material Connectors

Channel Clamp - Outdoor



Applications

- Attaching polypanels to a substructure of MT strut/closed profile
- Hot/cold aisle containment in data centers

Advantages

- Helps lower installation cost – this new solution uses fewer and simpler components than previous Hilti panel connectors, saving you upfront costs and time on-site
- Compatible with MT Thread Forming Bolt channel connectors – for much faster, adaptable assembly with higher pull-out and shear resistance
- Corrosion resistance – hot-dip galvanized to help protect against moisture and chemical corrosion

Technical data

Material composition	Q235 or better steel
Surface finish	Outdoor Coated - HDG

MT-CC-40/50 C OC Channel Clamp - Outdoor

Order Designation	Height	Technical data	Sales pack quantity	Item number	
MT-CC-40/50 C OC	3 mm	Outdoor, low to moderate pollution (C3 / C4 - low)	8 pc	2353779	

MT-CC-40/50 M OC Channel Clamp - Outdoor


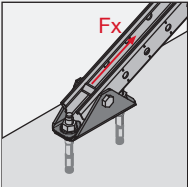

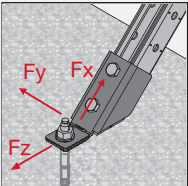
Order Designation	Height	Technical data	Sales pack quantity	Item number	
MT-CC-40/50 M OC	3 mm	Outdoor, low to moderate pollution (C3 / C4 - low)	16 pc	2353800	

MT Open C-channel (Strut) Base Material Connectors

Angle Brace, Channel Clamp

5

Technical data Angle Brace

Item image	Load drawing	Order Designation	+ Fz	- Fz	± Fx	± Fy
		MT-AB A / MT-AB A OC	-	-	9,9 kN	-
		MT-AB-L 45 / MT-AB-L 45 OC	-	-	3,8 kN	-

Design note

- Shown load values are recommended values with partial safety factors for actions and resistance included
- Design value = 1.4 * recommended value
- The design resistance of the products is defined in accordance with EN1993

Technical data Channel Clamp

Item image	Load drawing	Order Designation	+ Fz	- Fz	± Fx	± Fy
		MT-CC-40/50 / MT-CC-40/50 OC	-	5,4 kN	2,5 kN	5,7 kN

Design note

- Shown load values are recommended values with partial safety factors for actions and resistance included
- Design value = 1.4 * recommended value
- The design resistance of the products is defined in accordance with EN1993

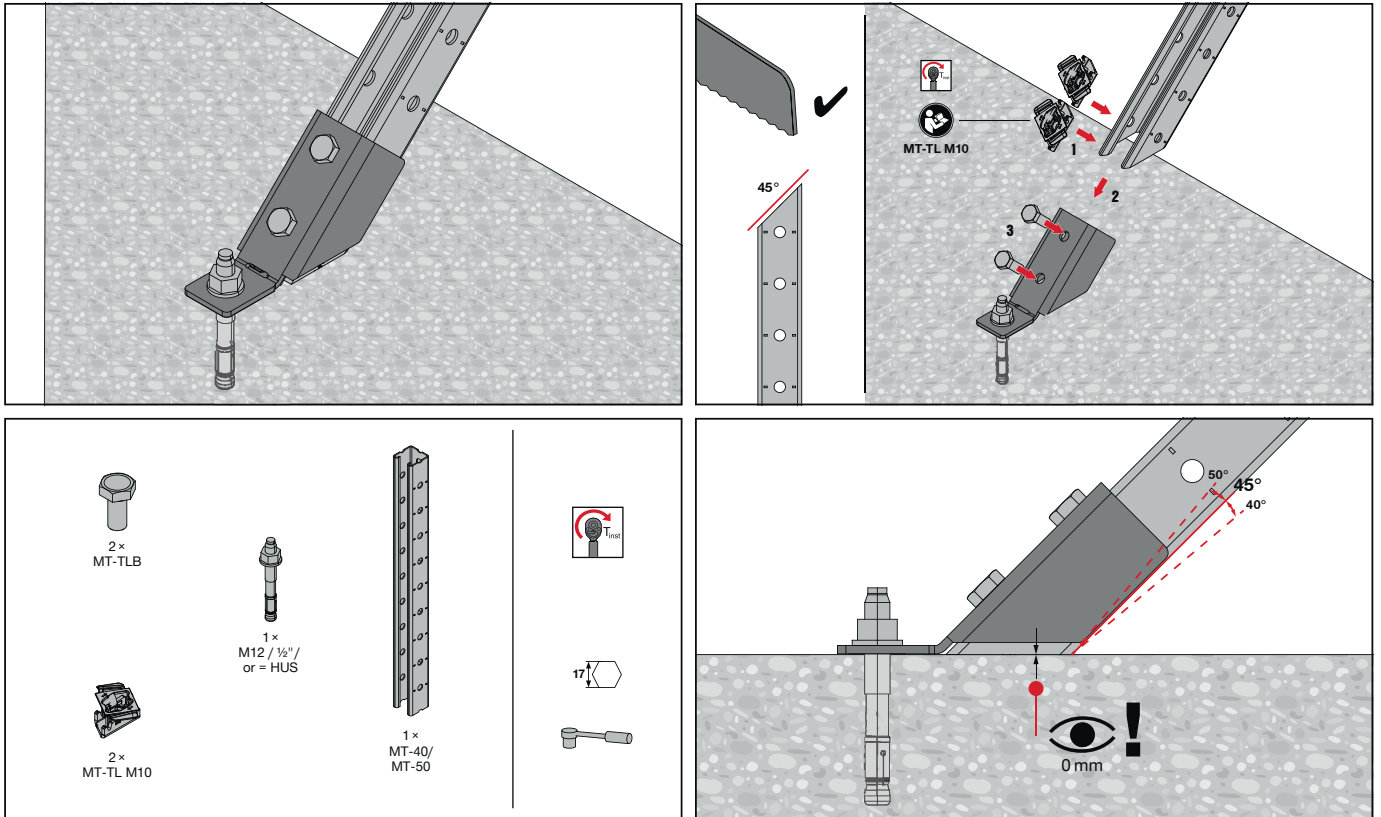
MT Open C-channel (Strut) Base Material Connectors

Angle Brace

Operation Instruction

MT-AB-L 45 / MT-AB-L 45 OC

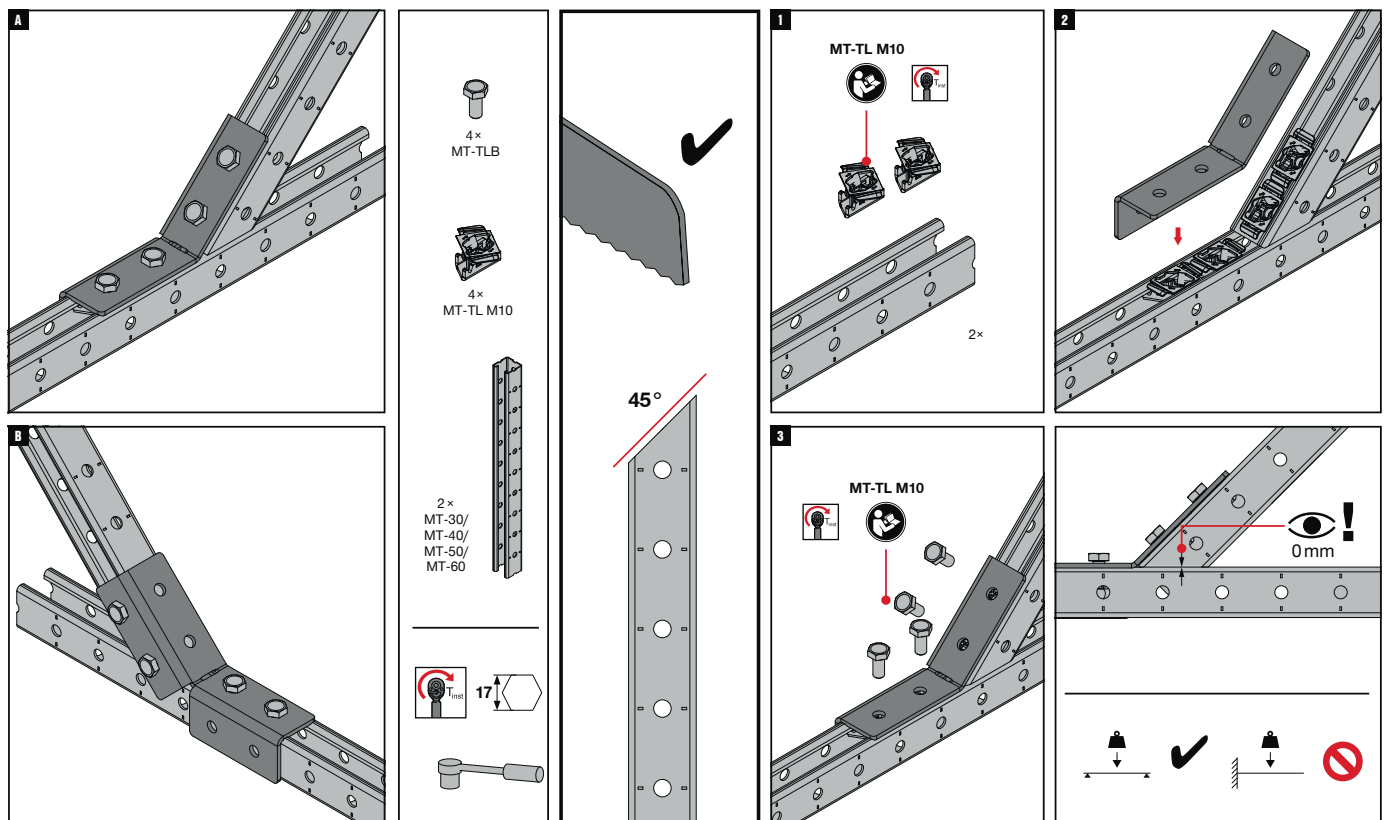
2294696-07.2020



The latest IFU (Instruction For Use) is available on Hilti Online. Please check for any revisions before installing the product.

MT-AB-LL2 45 / MT-AB-LL2 45 OC

2294696-07.2020



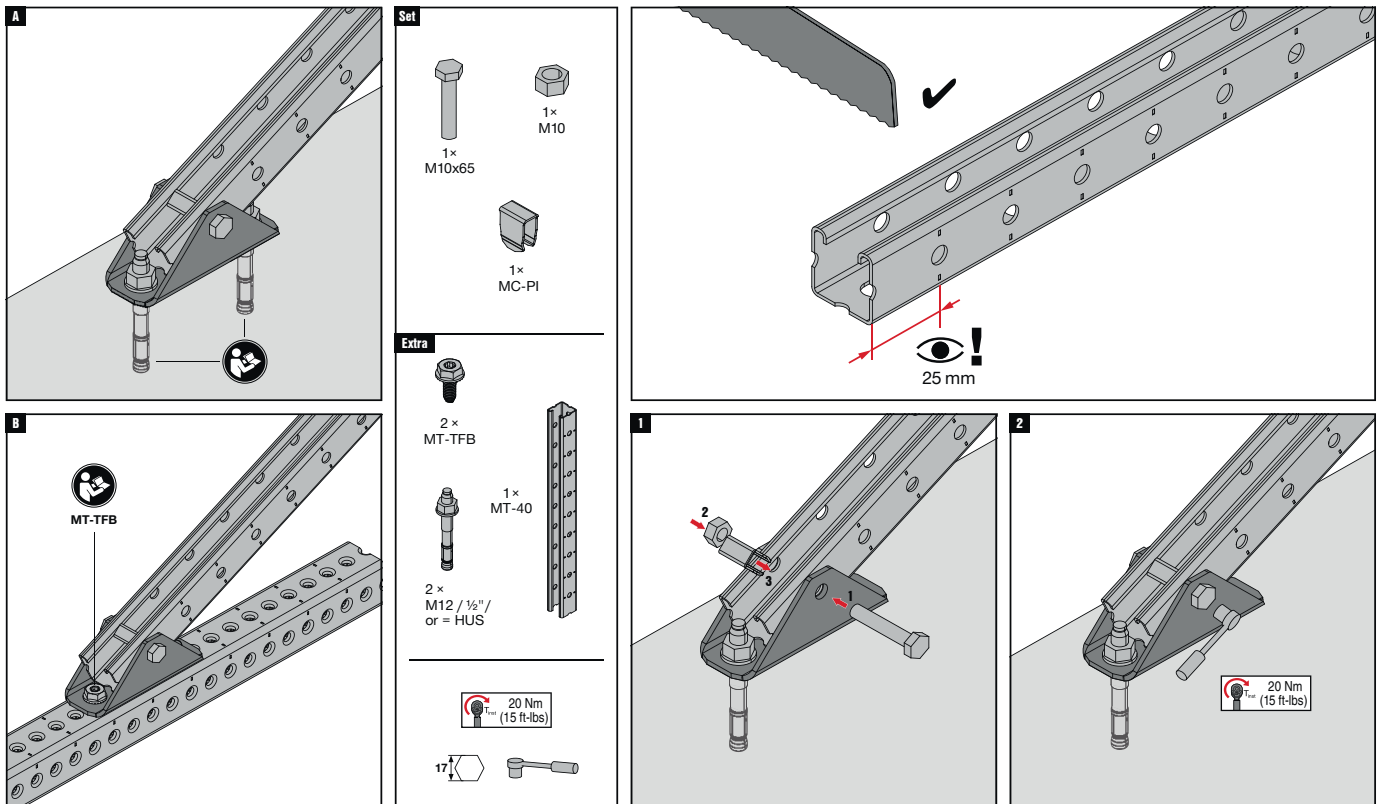
The latest IFU (Instruction For Use) is available on Hilti Online. Please check for any revisions before installing the product.

MT Open C-channel (Strut) Base Material Connectors

Angle Brace, Channel Clamp

Operation Instruction MT-AB-A / MT-AB-A OC

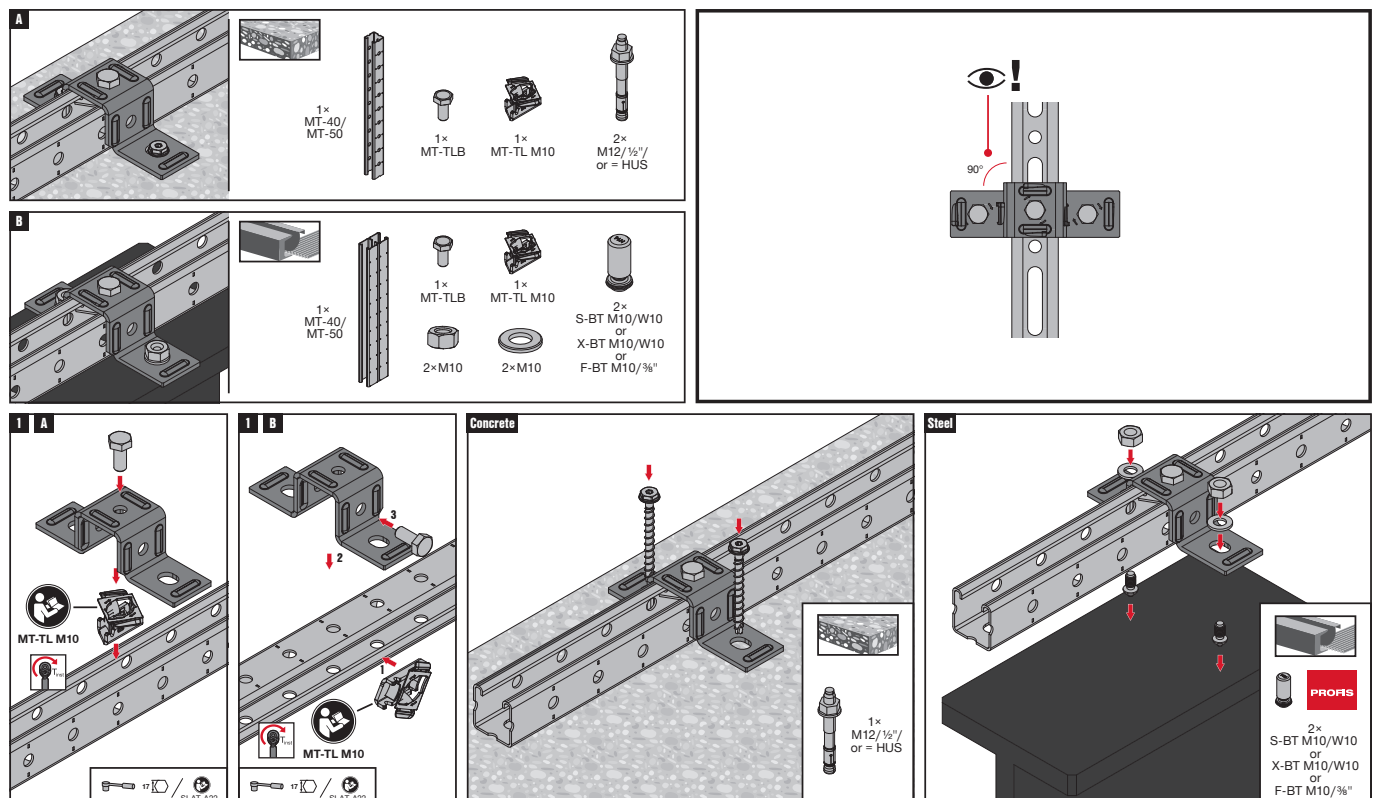
2294694-07.2020



The latest IFU (Instruction For Use) is available on Hilti Online. Please check for any revisions before installing the product.

MT-CC-BC 40/50 / MT-CC-BS 40/50 / MT-CC-BC 40/50 OC / MT-CC-BS 40/50 OC

2325300-04.2021



The latest IFU (Instruction For Use) is available on Hilti Online. Please check for any revisions before installing the product.

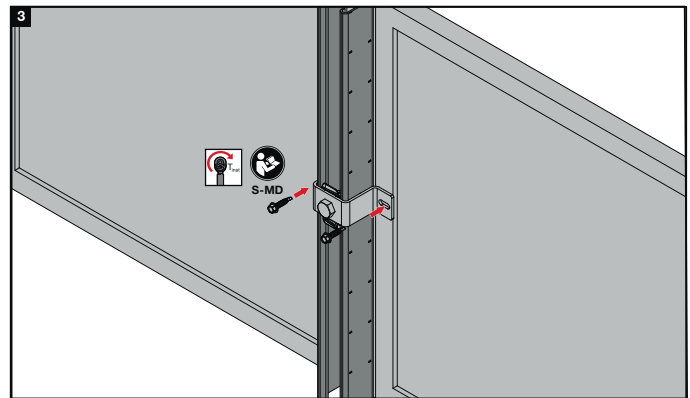
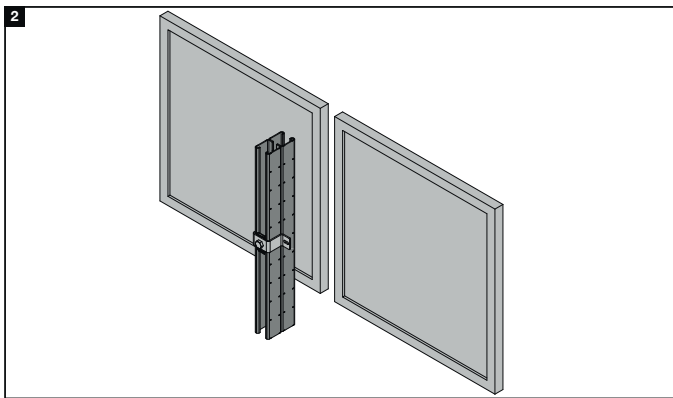
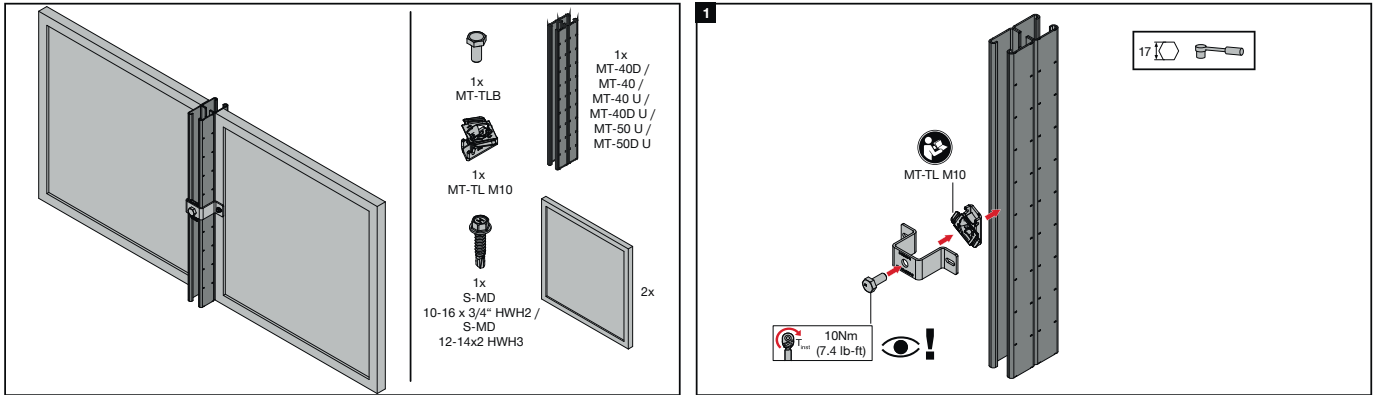
MT Open C-channel (Strut) Base Material Connectors

Channel Clamp

Operation Instruction

MT-CC-40/50 C OC

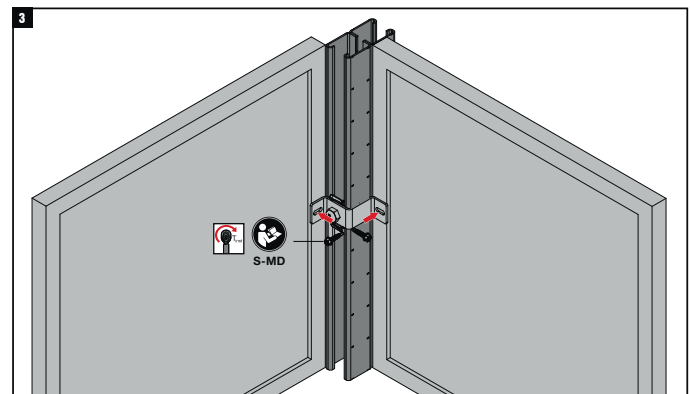
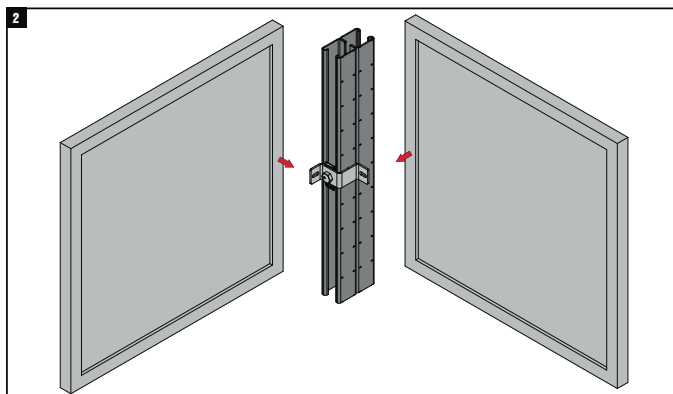
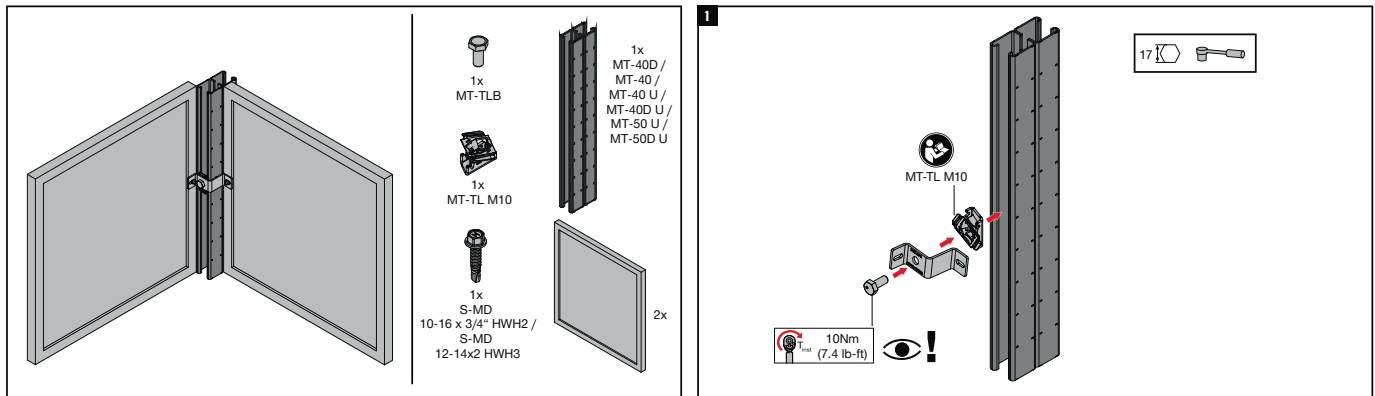
2359994-04.2022



The latest IFU (Instruction For Use) is available on Hilti Online. Please check for any revisions before installing the product.

MT-CC-40/50 M OC

2359995-04.2022



The latest IFU (Instruction For Use) is available on Hilti Online. Please check for any revisions before installing the product.

MT Closed Profiles Base Material Connectors

90° Connectors - Outdoor

5



Applications

- Right-angle connections between any MT closed profiles or strut channels
- Assembling metal framing for MEP support structures when resistance to 3D stresses is required
- Fastening MT strut channel to concrete floors, walls or ceilings

Advantages

- Part of the Hilti MT system – an economical, all-in-one solution for virtually all modular MEP support structures
- Easy to install – one-step assembly using Hilti MT-TFB thread-forming bolts
- Adaptable – unlike welding, angle brackets allow you to modify strut channel framing during installation and for future MEP requirements

Technical data

Material composition	Q235 or better steel
Surface finish	Outdoor Coated - HDG

MT-C-GS OC Base Material Connector - Angle Connector - Outdoor

Order Designation	Weight	Technical data	Sales pack quantity	Item number	
MT-C-GS OC	400 g	Outdoor, low to moderate pollution (C3 / C4 - low)	10 pc	2272064	

MT-C-GL OC Base Material Connector - Angle Connector - Outdoor

Order Designation	Weight	Technical data	Sales pack quantity	Item number	
MT-C-GL OC	1161 g	Outdoor, low to moderate pollution (C3 / C4 - low)	10 pc	2272066	

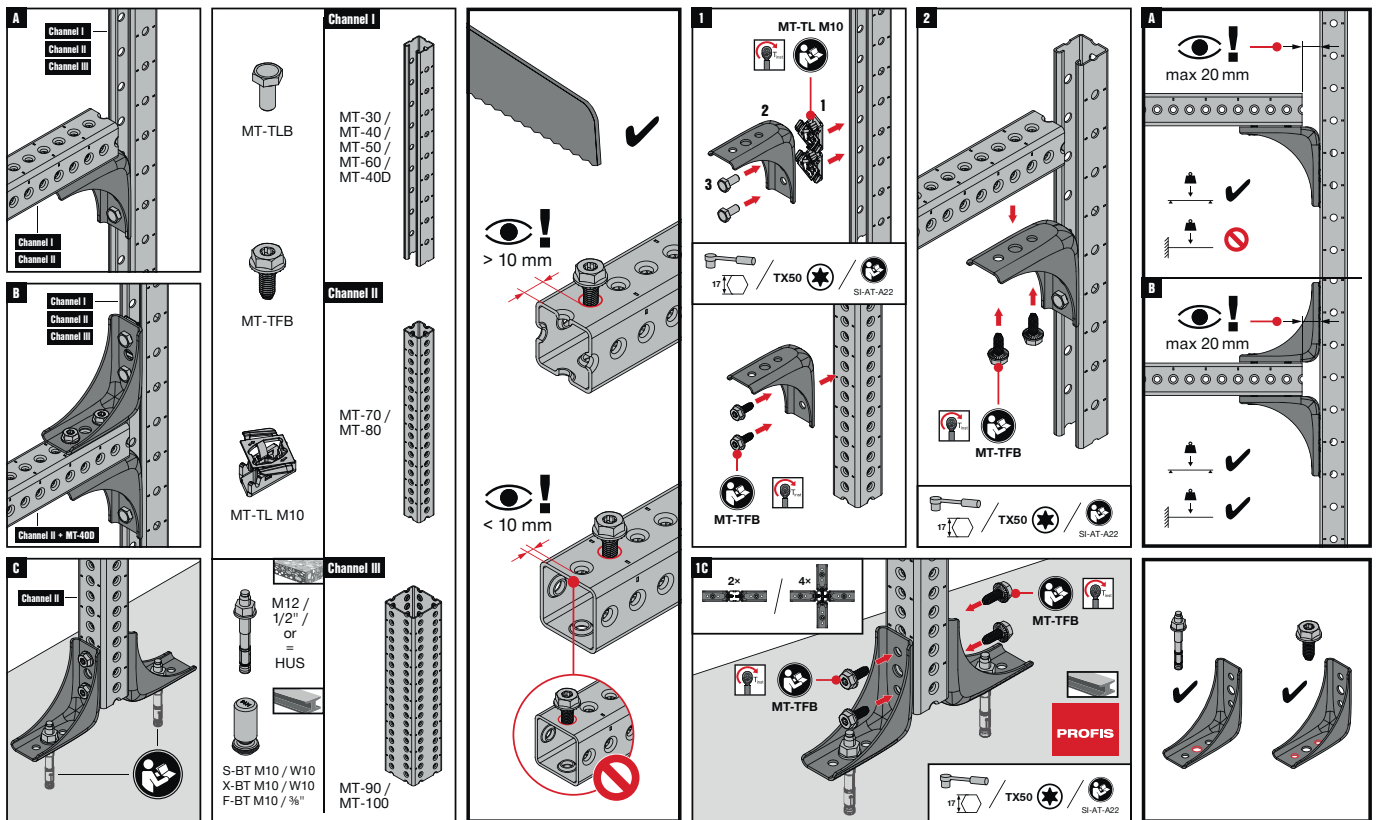
MT Closed Profiles Base Material Connectors

90° Connectors - Outdoor

Operation Instruction

MT-C-GS OC

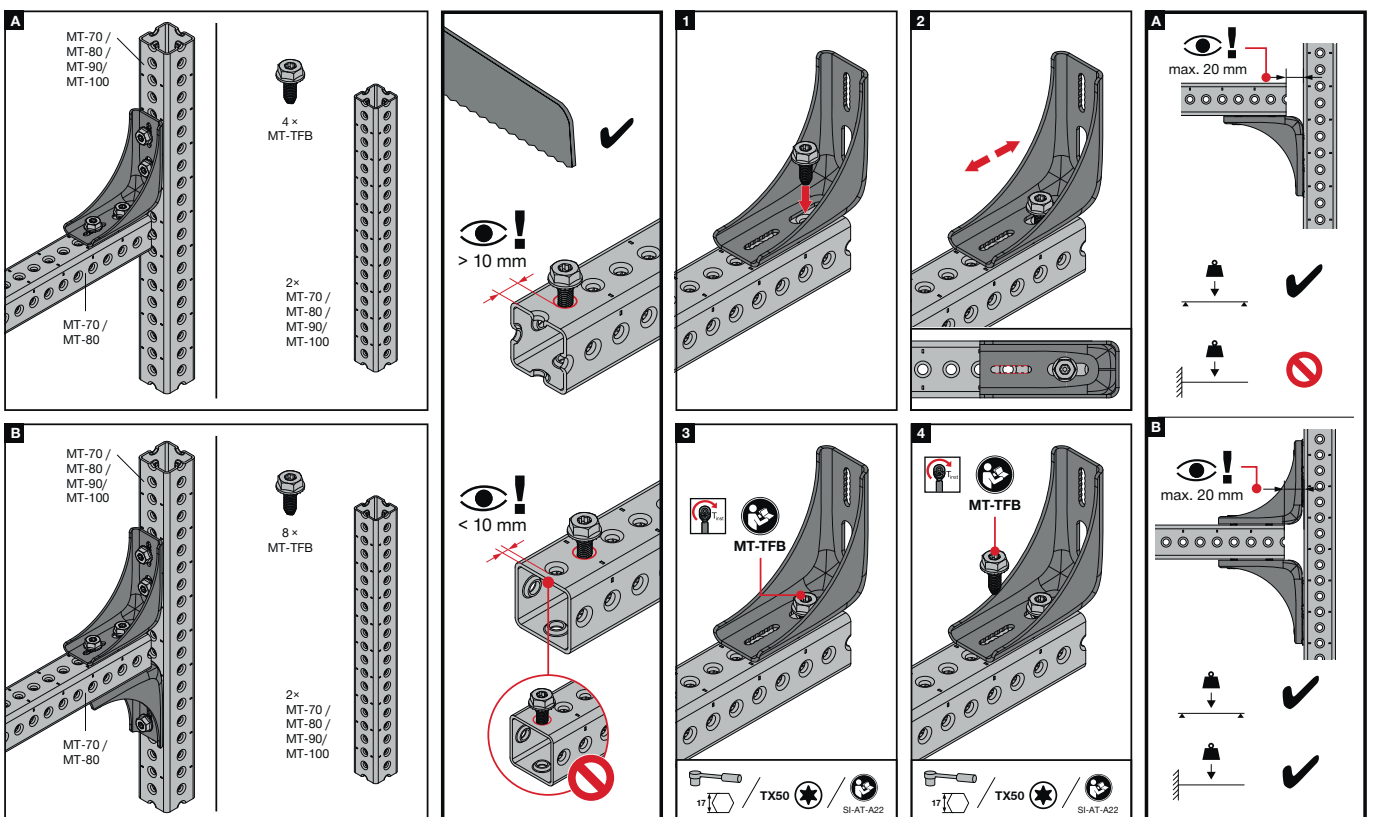
2290665-06.2020



The latest IFU (Instruction For Use) is available on Hilti Online. Please check for any revisions before installing the product.

MT-C-GS A OC

2289567-09.2020



The latest IFU (Instruction For Use) is available on Hilti Online. Please check for any revisions before installing the product.

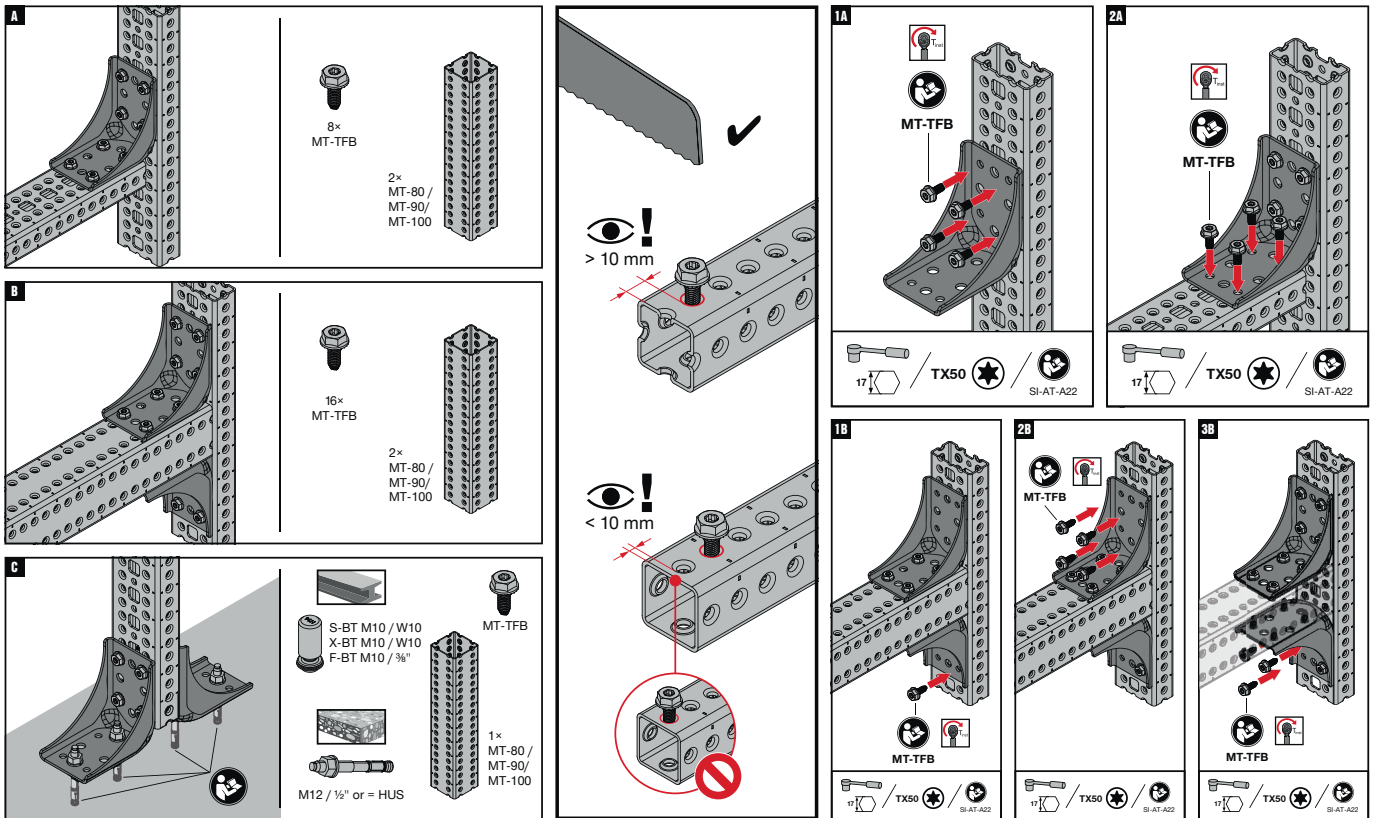
MT Closed Profiles Base Material Connectors

90° Connectors - Outdoor

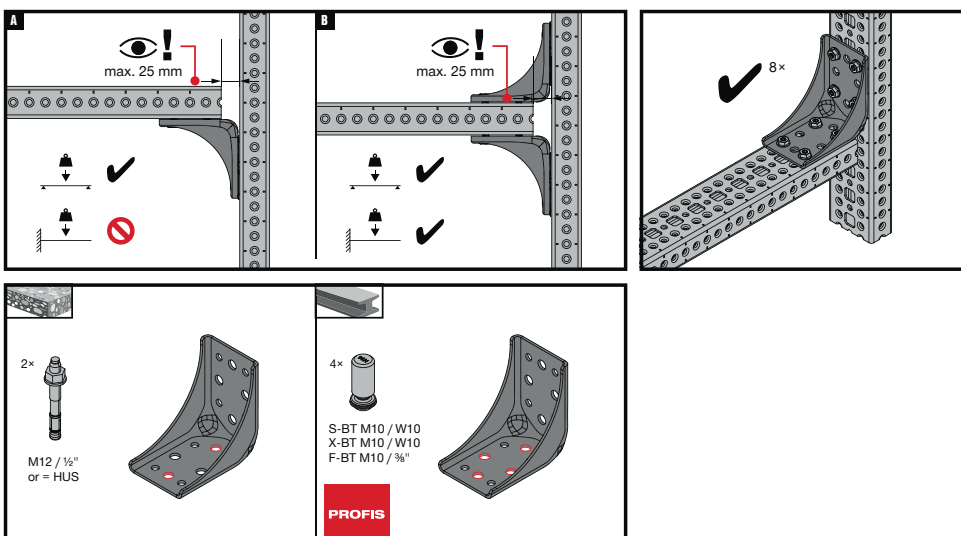
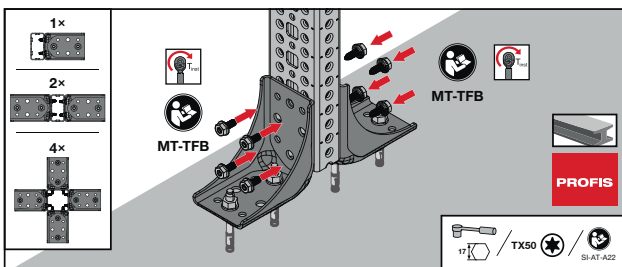
Operation Instruction

MT-C-GL OC

2289566-07 2020



The latest IFU (Instruction For Use) is available on Hilti Online. Please check for any revisions before installing the product.



The latest IFU (Instruction For Use) is available on Hilti Online. Please check for any revisions before installing the product.

MT Closed Profiles Base Material Connectors

90° Connectors - Outdoor



Applications

- Fastening MT-70 and MT-80 closed profiles to concrete floors, walls or ceilings
- Fastening MT-70 and MT-80 closed profiles to structural steel
- Anchoring metal framing and MEP support structures with light loads to a base material

Advantages

- Part of the Hilti MT system – an economical, all-in-one solution for virtually all modular MEP support structures
- Easy to install – one-step assembly using Hilti MT-TFB thread-forming bolts
- Adaptable – unlike welding, modular metal framing can be modified for future MEP requirements

Technical data

Material composition	Q235 or better steel
Surface finish	Outdoor Coated - HDG

MT-B-GS T OC Base Material Connector - Outdoor

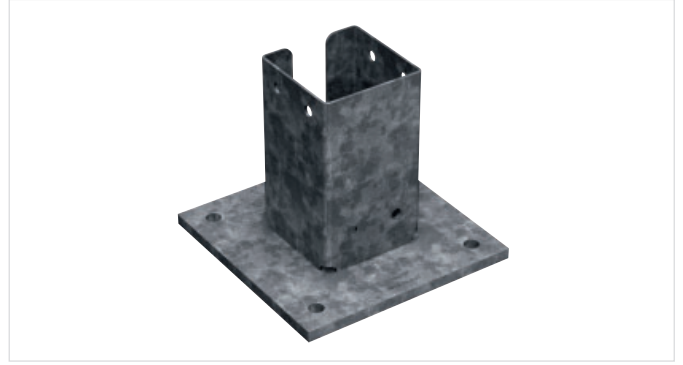
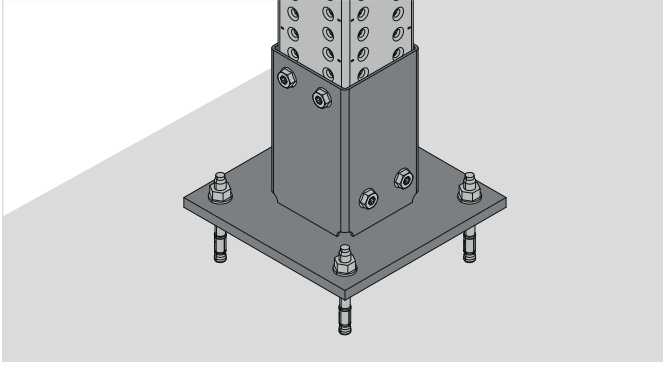
Order Designation	Weight	Technical data	Sales pack quantity	Item number	
MT-B-GS T OC	2166 g	Outdoor, low to moderate pollution (C3 / C4 - low)	2 pc	2272100	

MT-B-GS O4U OC Base Material Connector 4-hole - Outdoor

Order Designation	Weight	Technical data	Sales pack quantity	Item number	
MT-B-GS O4U OC	4730 g	Outdoor, low to moderate pollution (C3 / C4 - low)	4 pc	2272101	

MT Closed Profiles Base Material Connectors

90° Connectors - Outdoor



Applications

- Fastening MT-90 closed profiles to concrete floors, walls or ceilings
- Anchoring metal framing and MEP support structures with heavy loads to a base material
- Suitable for outdoor environments with low to moderate pollution (C3)

Advantages

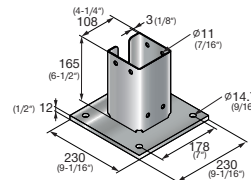
- Part of the Hilti MT system – an economical, all-in-one solution for virtually all modular MEP support structures
- Easy to install – one-step assembly using Hilti MT-TFB thread-forming bolts
- Adaptable – unlike welding, modular post bases allow you to modify metal framing for future MEP requirements

Technical data

Material composition	Q235 or better steel
Surface finish	Outdoor Coated - HDG

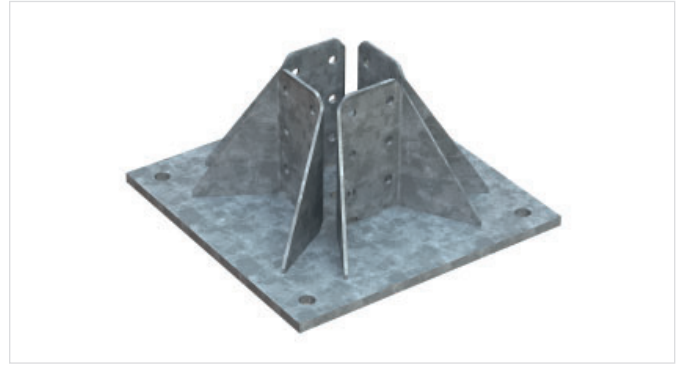
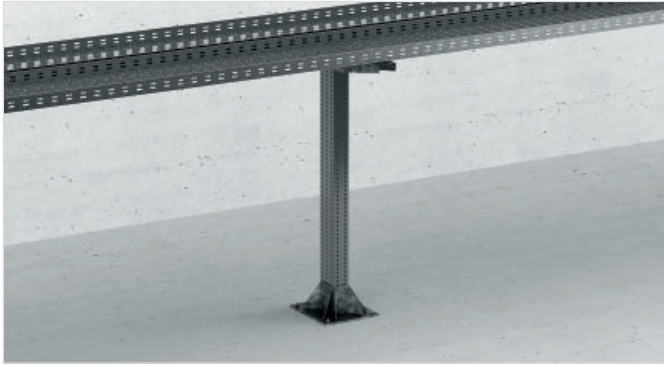
MT-B-GL O4C OC Base Material Connector - Outdoor

Order Designation	Weight	Technical Data	Sales pack quantity	Item number
MT-B-GL O4C OC	6825g	Outdoor, low to moderate pollution (C3 / C4 - low)	2 pc	2343282



MT Closed Profiles Base Material Connectors

90° Connectors - Outdoor



Applications

- Fastening MT-90 closed profiles to concrete floors, walls or ceilings
- Anchoring metal framing and MEP support structures with heavy loads to a base material
- Suitable for use in moderately corrosive environments

Advantages

- Part of the Hilti MT system – an economical, all-in-one solution for virtually all modular MEP support structures
- Easy to install – one-step assembly using Hilti MT-TFB thread-forming bolts
- Adaptable – unlike welding, modular post bases allow you to modify metal framing for future MEP requirements

Technical data

Material composition	Q235 or better steel
Surface finish	Outdoor Coated - HDG

MT-B-GL O4 OC Base Material Connector 4-hole - Outdoor

Order Designation	Thickness	Weight	Technical data	Sales pack quantity	Item number	
MT-B-GL O4 OC	12 mm	14949 g	Outdoor, low to moderate pollution (C3 / C4 - low)	1 pc	2272103	

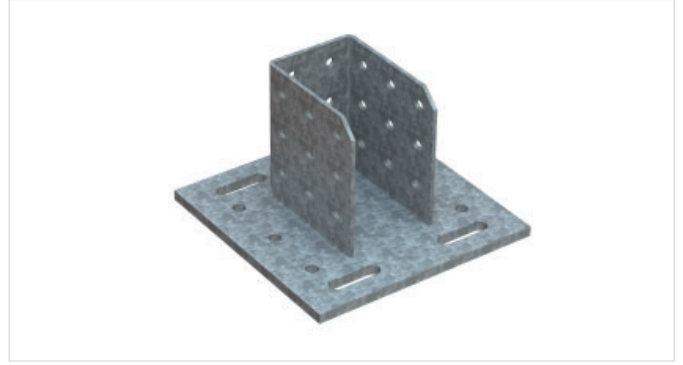
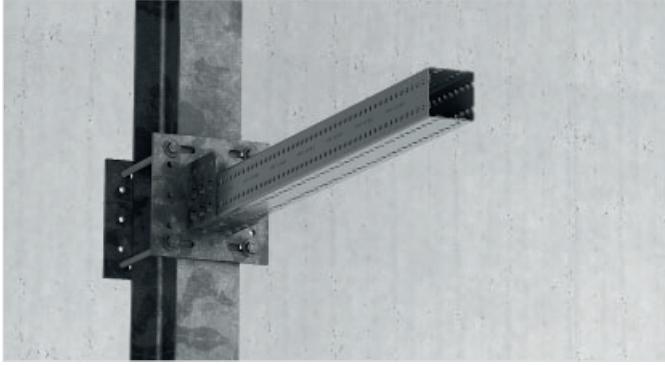
MT-B-GXL O4 OC Base Material Connector 4-hole - Outdoor

Order Designation	Thickness	Weight	Technical data	Sales pack quantity	Item number	
MT-B-GXL O4 OC	12 mm	17070 g	Outdoor, low to moderate pollution (C3 / C4 - low)	1 pc	2272104	

MT Closed Profiles Base Material Connectors

90° Connectors - Outdoor

5



Applications

- Fastening MT-90 and MT-100 closed profiles to structural steel
- Anchoring metal framing and MEP support structures with light loads to a base material
- Suitable for use in moderately corrosive environments

Advantages

- Part of the Hilti MT system – an economical, all-in-one solution for virtually all modular MEP support structures
- Easy to install – one-step assembly using Hilti MT-TFB thread-forming bolts
- Adjustable – four slotted anchor holes to simplify baseplate positioning and fastening

Technical data

Material composition	Q355 or better steel
Surface finish	Outdoor Coated - HDG

MT-B-GXL S1 OC Base Material Connector To Steel - Outdoor

Order designation	Thickness	Weight	Technical data	Sales pack quantity	Item number	
MT-B-GXL S1 OC	15 mm	9402 g	Outdoor, low to moderate pollution (C3 / C4 - low)	2 pc	2272106	

MT-B-GXL S2 OC Base Material Connector To Steel - Outdoor

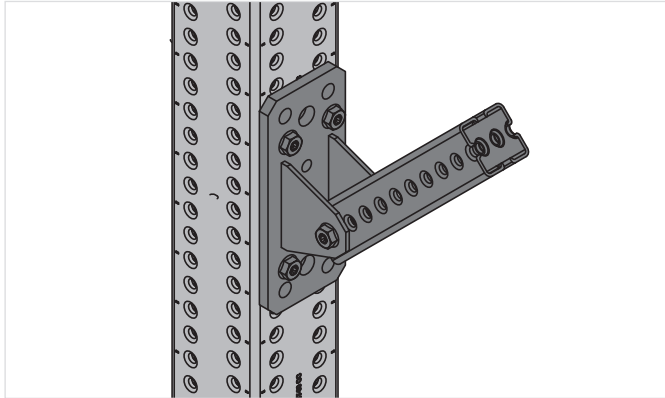
Order designation	Thickness	Weight	Technical data	Sales pack quantity	Item number	
MT-B-GXL S2 OC	15 mm	9366 g	Outdoor, low to moderate pollution (C3 / C4 - low)	2 pc	2272107	

MT-B-GXL S3 OC Base Material Connector To Steel - Outdoor

Order designation	Thickness	Weight	Technical data	Sales pack quantity	Item number	
MT-B-GXL S3 OC	15 mm	10816 g	Outdoor, low to moderate pollution (C3 / C4 - low)	2 pc	2272108	

MT Closed Profiles Base Material Connectors

Angle Brace - Outdoor



Applications

- Assembling and bracing modular support structures consisting of MT-70 and MT-80 closed profiles
- Fastening modular support structures to concrete and steel
- Suitable for use in moderately corrosive environments

Advantages

- Versatile – use it as a closed profile-to-closed profile connector, for angle braces or for fastening modular support structures to concrete and steel
- Compatible with powder-actuated threaded studs for steel and MT Thread Forming Bolt channel connectors – for much faster, adaptable assembly
- Corrosion resistance – hot-dip galvanized to help protect against moisture and chemical corrosion

Technical data

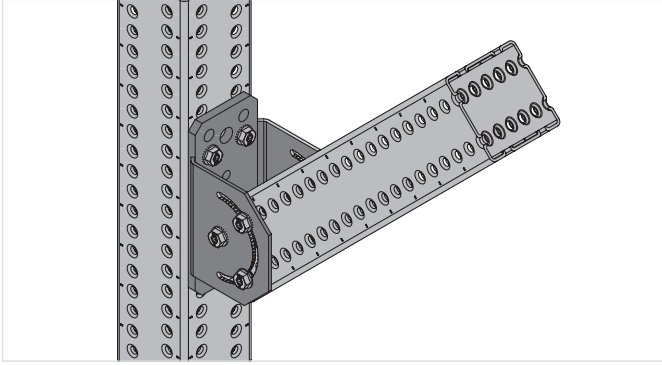
Material composition	Q355 or better steel
Surface finish	Outdoor Coated - HDG

MT-B-GS AB OC Angle Brace - Outdoor

Order Designation	Thickness	Weight	Technical data	Sales pack quantity	Item number	
MT-B-GS AB OC	10 mm	1640 g	Outdoor, low to moderate pollution (C3 / C4 - low)	8 pc	2332787	

MT Closed Profiles Base Material Connectors

Angle Brace - Outdoor



Applications

- Mounting MT-80, MT-90 and MT-100 closed profiles on inclined steel surfaces
- Mounting MT-80, MT-90 and MT-100 at an angle ranging from +/- 90 degrees for bracing or long span supports
- Fastening heavy-duty, floor-mounted single pipe supports

Advantages

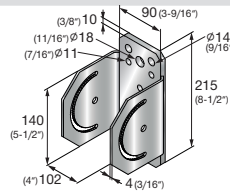
- Higher load resistance – more bolting points and stronger construction than previous Hilti baseplates
- Corrosion resistance – hot-dip galvanized to help protect against moisture and chemical corrosion
- Part of the Hilti MT system – an economical, all-in-one solution for virtually all modular MEP support structures

Technical data

Material composition	Q355 or better steel
Surface finish	Outdoor Coated - HDG

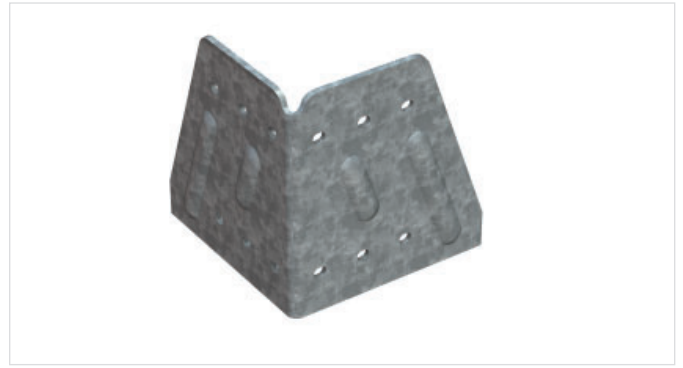
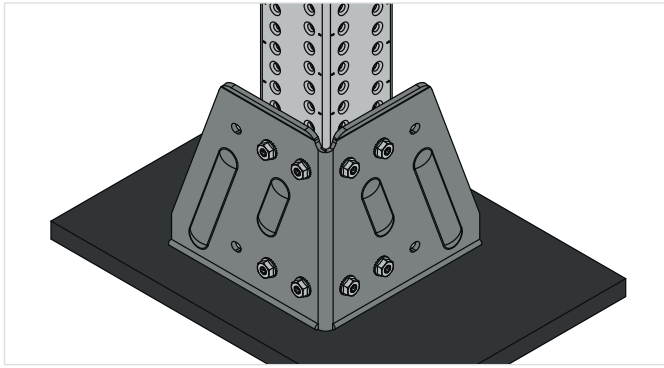
MT-B GL AB OC Angle Brace - Outdoor

Order Designation	Thickness	Technical data	Sales pack quantity	Item number
MT-B GL AB OC	10 mm	Outdoor, low to moderate pollution (C3 / C4 - low)	6 pc	2353811



MT Closed Profiles Base Material Connectors

Starter Bracket - Outdoor



Applications

- Creating base connectors for MT-70, MT-80, MT-90 and MT-100 closed profiles on structural steel

Technical data

Material composition	Q355 or better steel
Surface finish	Not Galvanized

Advantages

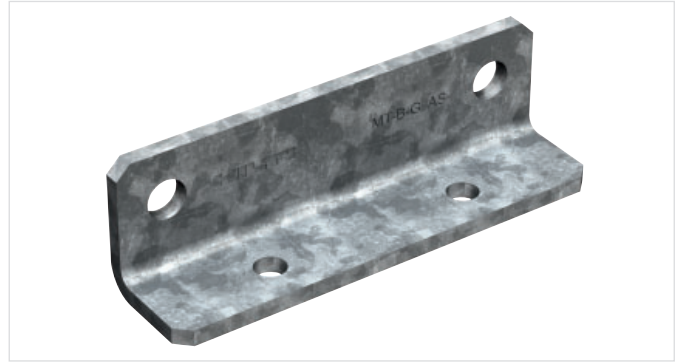
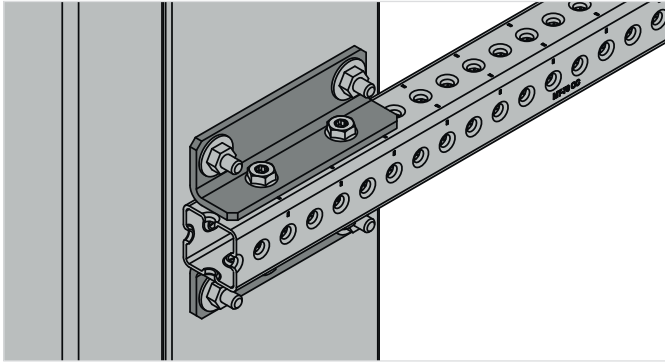
- Part of the Hilti MT system – an economical, all-in-one solution for virtually all modular MEP support structures
- Versatile – creates a post base connection at any location on structural steel
- Simplicity – one WS bracket can be used for all MT closed profiles: MT-70, 80, 90 and 100

MT-B-G WS NC Starter Bracket

Order Designation	Thickness	Weight	Technical data	Sales pack quantity	Item number	
MT-B-G WS NC	6 mm	4345 g	Outdoor, low to moderate pollution (C3 / C4 - low)	4 pc	2272109	

MT Closed Profiles Base Material Connectors

Angle Connector - Outdoor



Applications

- Fastening MT-70 and MT-80 closed profiles to steel beams
- Suitable for use in moderately corrosive environments

Advantages

- A faster and more economical solution for installing closed profile cantilevers directly to steel beams
- Compatible with powder-actuated threaded studs for steel and MT Thread Forming Bolt channel connectors – for much faster, adaptable assembly
- Corrosion resistance – hot-dip galvanized to help protect against moisture and chemical corrosion

Technical data

Material composition	Q355 or better steel
Surface finish	Outdoor Coated - HDG

MT-B-G AS OC Base connector (outdoor)

Order Designation	Thickness	Weight	Technical data	Sales pack quantity	Item number	
MT-B-G AS OC	6 mm	560 g	Outdoor, low to moderate pollution (C3 / C4 - low)	10 pc	2332781	

MT Closed Profiles Base Material Connectors

90° Connectors - Outdoor

Technical data Baseplate

Item image	Load drawing	Order Designation	+ Fz	- Fz	± Fx	± Fy
		MT-B-GS T OC	25,9 kN	15,0 kN	20,4 kN	8,5 kN
		MT-B-GS O4U OC	26,4	18,0 kN	53,9 kN	16,0 kN
		MT-B-GL O4C OC	14,7 kN	14,47 kN	44,3 kN	10,1 kN
		MT-B-GL O4 OC	55,2 kN	55,2 kN	122,4 kN	55,2 kN
		MT-B-GXL O4 OC	93,4 kN	93,4 kN	145,7 kN	87,7 kN
		MT-B-GXL S1 OC	14,9 kN	14,9 kN	74,7 kN	14,9 kN
		MT-B-GXL S2 OC	14,9 kN	14,9 kN	66,1 kN	14,9 kN

Design note

- Shown load values are recommended values with partial safety factors for actions and resistance included
- Design value = 1.5 * recommended value
- The design resistance of the products is defined in accordance with EN1993

MT Closed Profiles Base Material Connectors

90° Connectors, Angle Brace, Starter Bracket - Outdoor


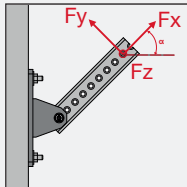
Technical data Base Connector

Item image	Load drawing	Order Designation	+ Fz	- Fz	± Fx	± Fy
		MT-B-GXL S3 OC	14,9 kN	14,9 kN	40,2 kN	14,9 kN

Design note

- Shown load values are recommended values with partial safety factors for actions and resistance included
- Design value = 1,5 * recommended value
- The design resistance of the products is defined in accordance with EN1993

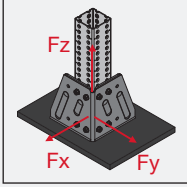
Technical data Angle Brace

Item image	Load drawing	Order Designation	+ Fz	± Fx	± Fy
		MT-B-GS AB OC	3,0 kN	18,1 kN	18,1 kN

Design note

- Shown load values are recommended values with partial safety factors for actions and resistance included
- Design value = 1,5 * recommended value
- The design resistance of the products is defined in accordance with EN1993


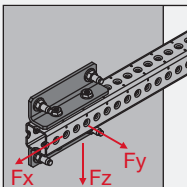
Technical data Starter Bracket

Item image	Load drawing	Order Designation	+ Fz	- Fz	± Fx	± Fy
		MT-B-GS WS NC	84,7 kN	84,7 kN	22,2 kN	22,2 kN

Design note

- Load values are only valid if MT-90 Closed profile is used.
- Shown load values are recommended values with partial safety factors for actions and resistance included
- Design value = 1,5 * recommended value
- The design resistance of the products is defined in accordance with EN1993

Technical data Base Connector

Item image	Load drawing	Order Designation	+ Fz	± Fx	± Fy
		MT-B-G AS OC	23,9 kN	47,1 kN	7,1 kN

Design note

- Shown load values are recommended values with partial safety factors for actions and resistance included
- Design value = 1,5 * recommended value
- The design resistance of the products is defined in accordance with EN1993

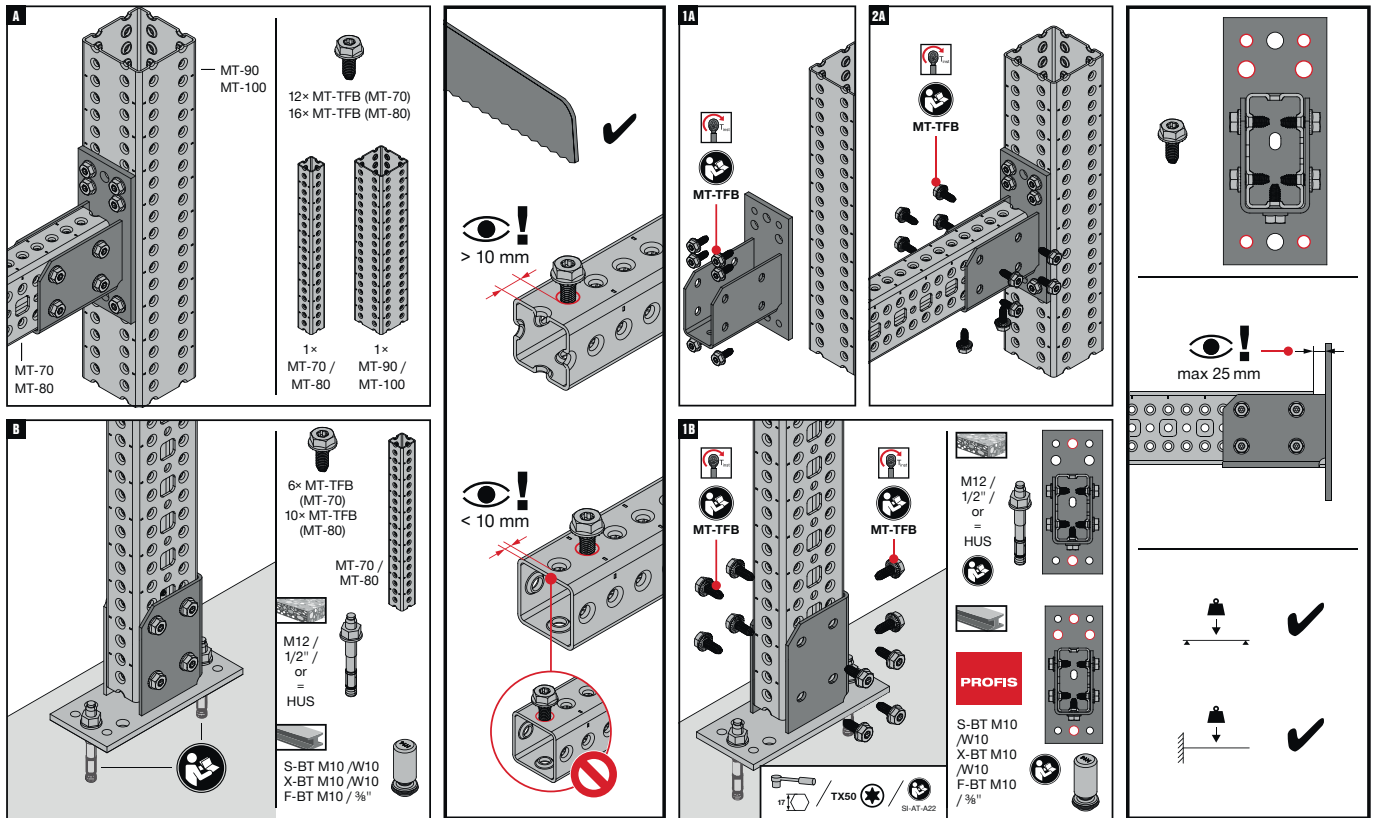
MT Closed Profiles Base Material Connectors

90° Connector - Outdoor

Operation Instruction

MT-B-GS T OC

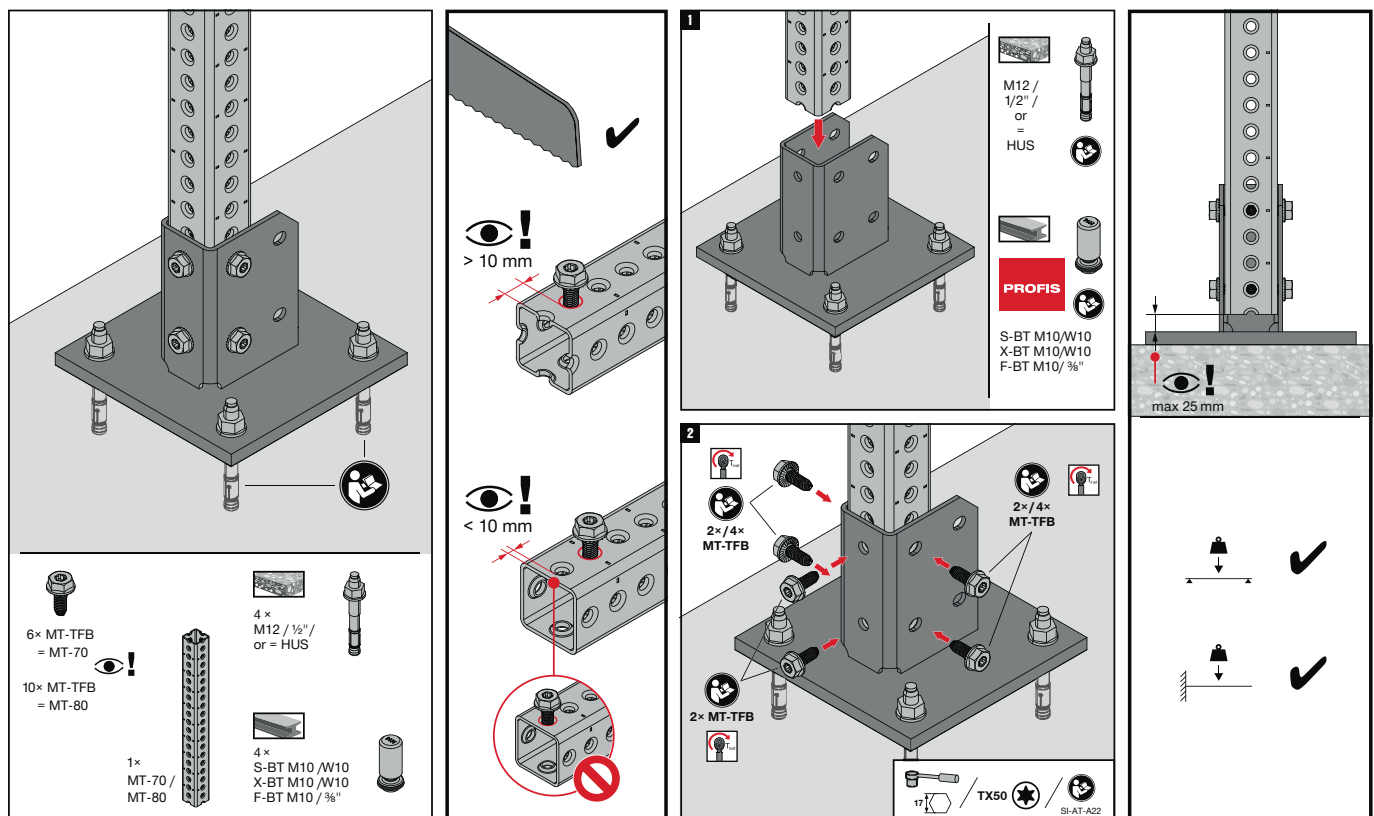
2294558-07.2020



The latest IFU (Instruction For Use) is available on Hilti Online. Please check for any revisions before installing the product.

MT-B-GS O4U OC

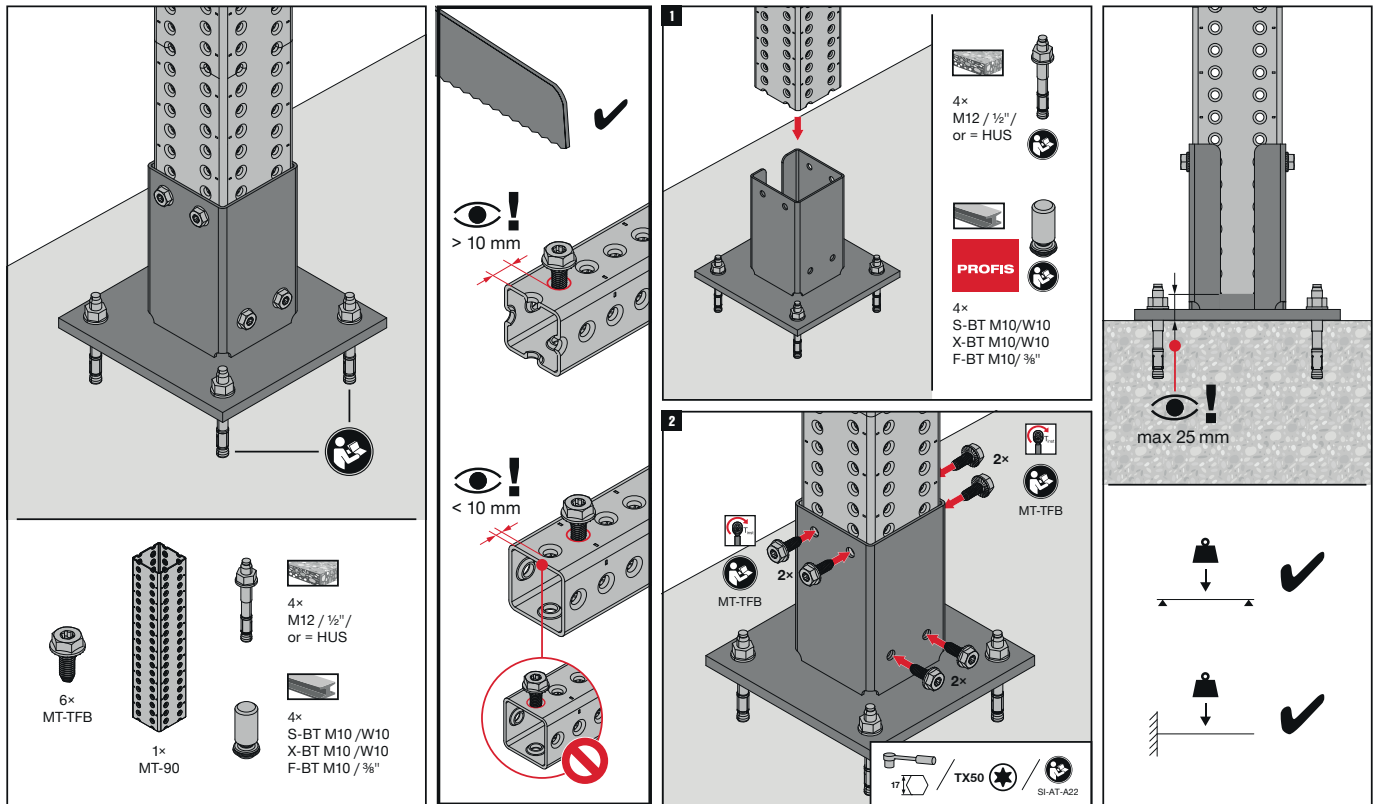
2294559-06.2020



The latest IFU (Instruction For Use) is available on Hilti Online. Please check for any revisions before installing the product.

MT Closed Profiles Base Material Connectors
90° Connector - Outdoor
Operation Instruction
MT-B-GL O4C OC

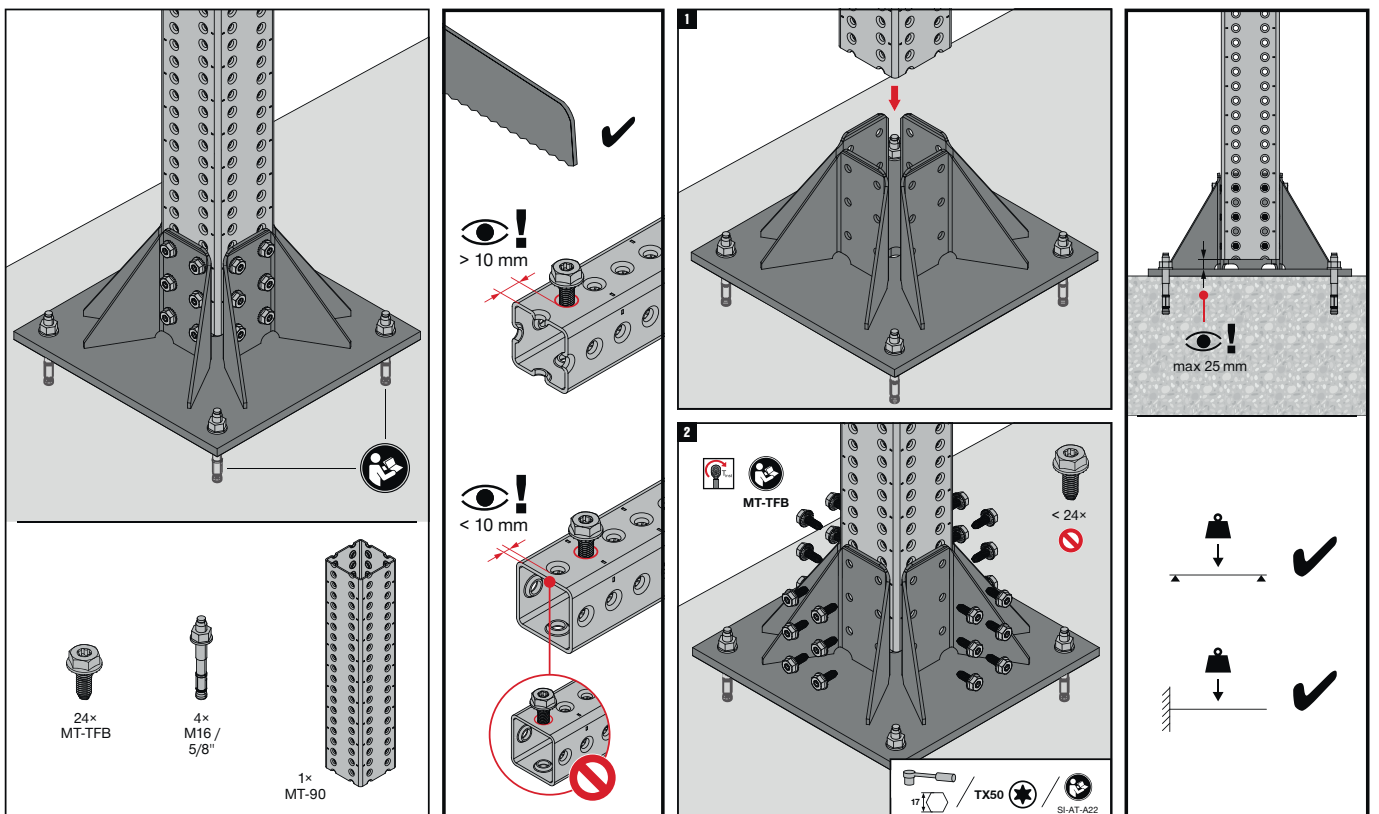
2347956-12.2021



The latest IFU (Instruction For Use) is available on Hilti Online. Please check for any revisions before installing the product.

MT-B-GL O4 OC / MT-B-GXL O4 OC

2294690-05.2020



The latest IFU (Instruction For Use) is available on Hilti Online. Please check for any revisions before installing the product.

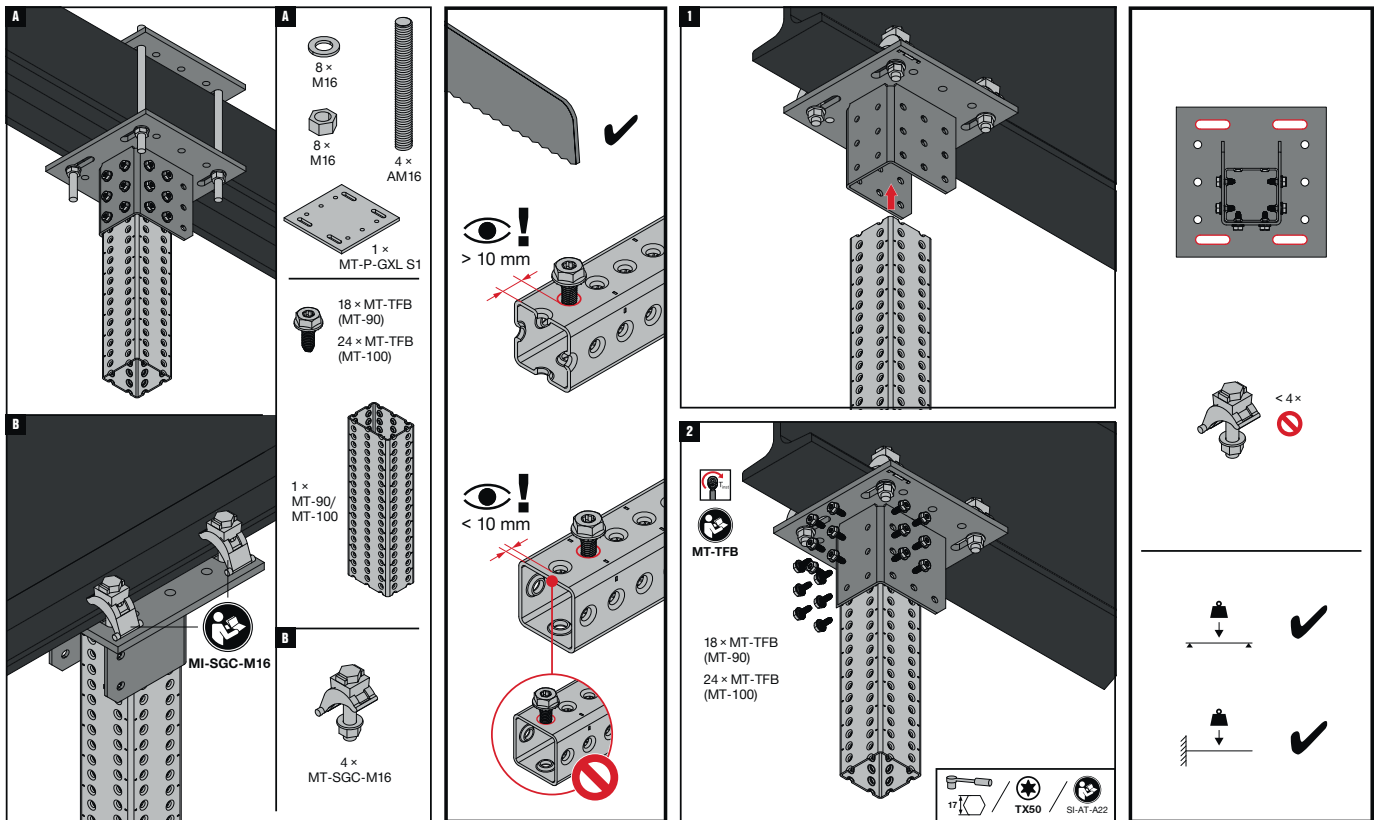
MT Closed Profiles Base Material Connectors

90° Connector, Angle Brace - Outdoor

Operation Instruction

MT-B-GXL S1 OC / MT-B-GXL S2 OC / MT-B-GXL S3 OC

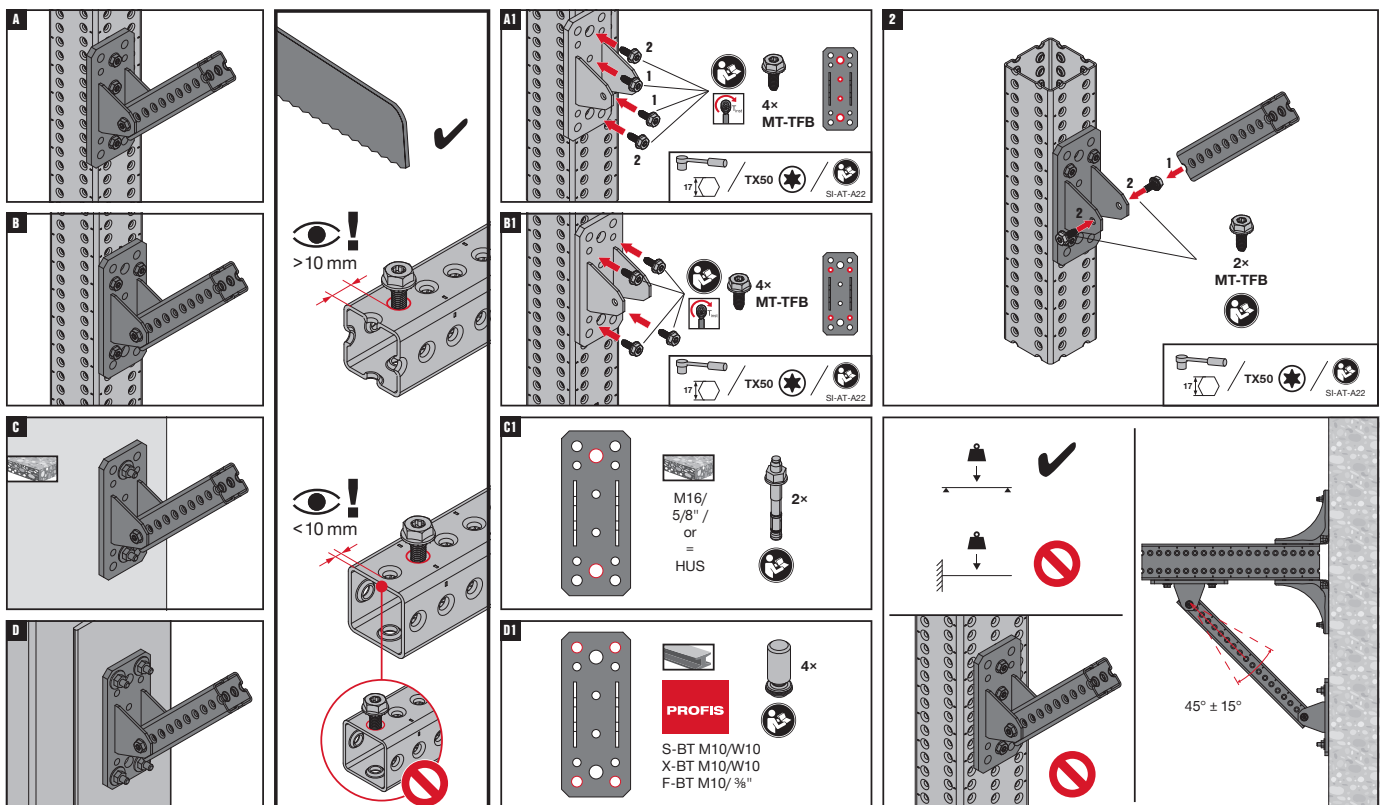
2294692-09.2020



The latest IFU (Instruction For Use) is available on Hilti Online. Please check for any revisions before installing the product.

MT-B-GS AB OC

2334522-08.2021



The latest IFU (Instruction For Use) is available on Hilti Online. Please check for any revisions before installing the product.

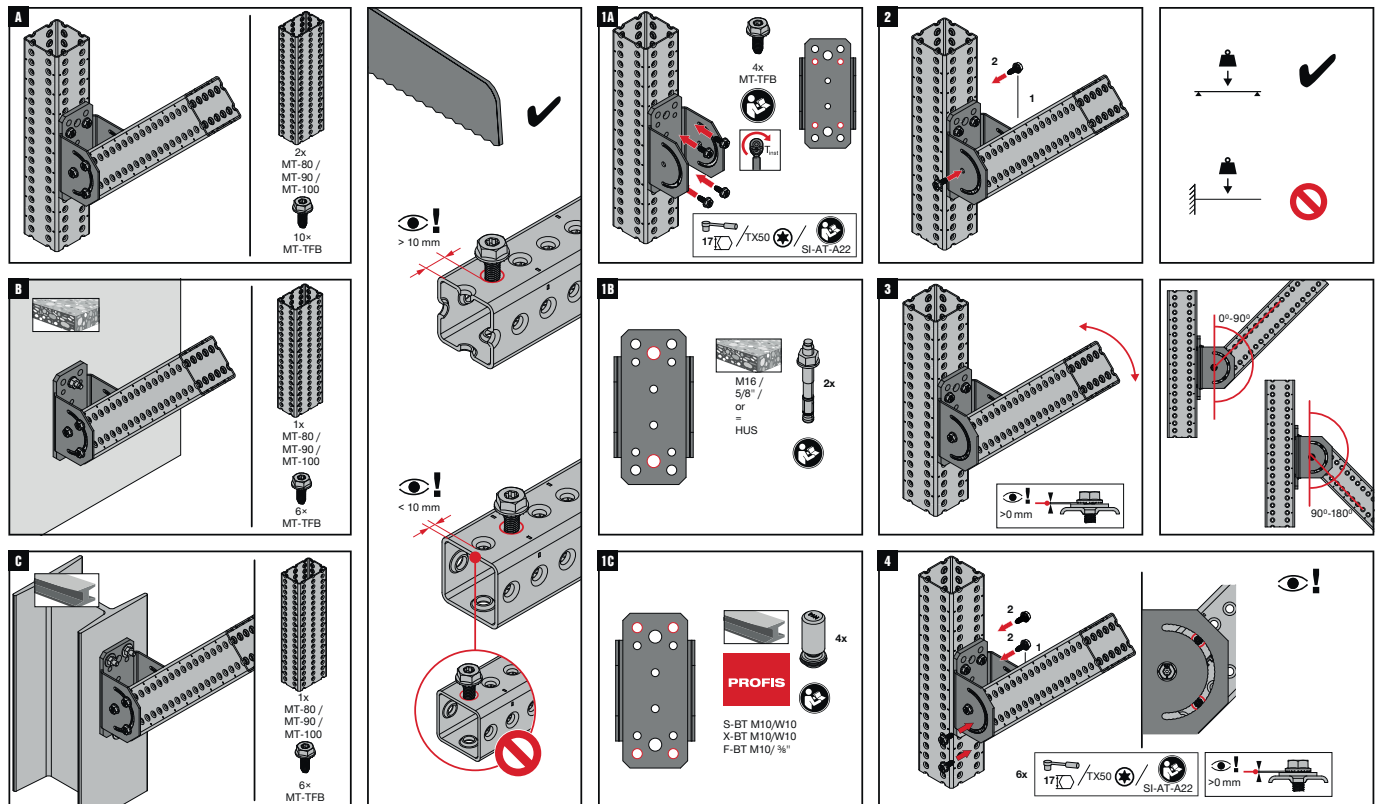
MT Closed Profiles Base Material Connectors

Angle Brace, Starter Bracket - Outdoor

Operation Instruction

MT-B-GL AB OC

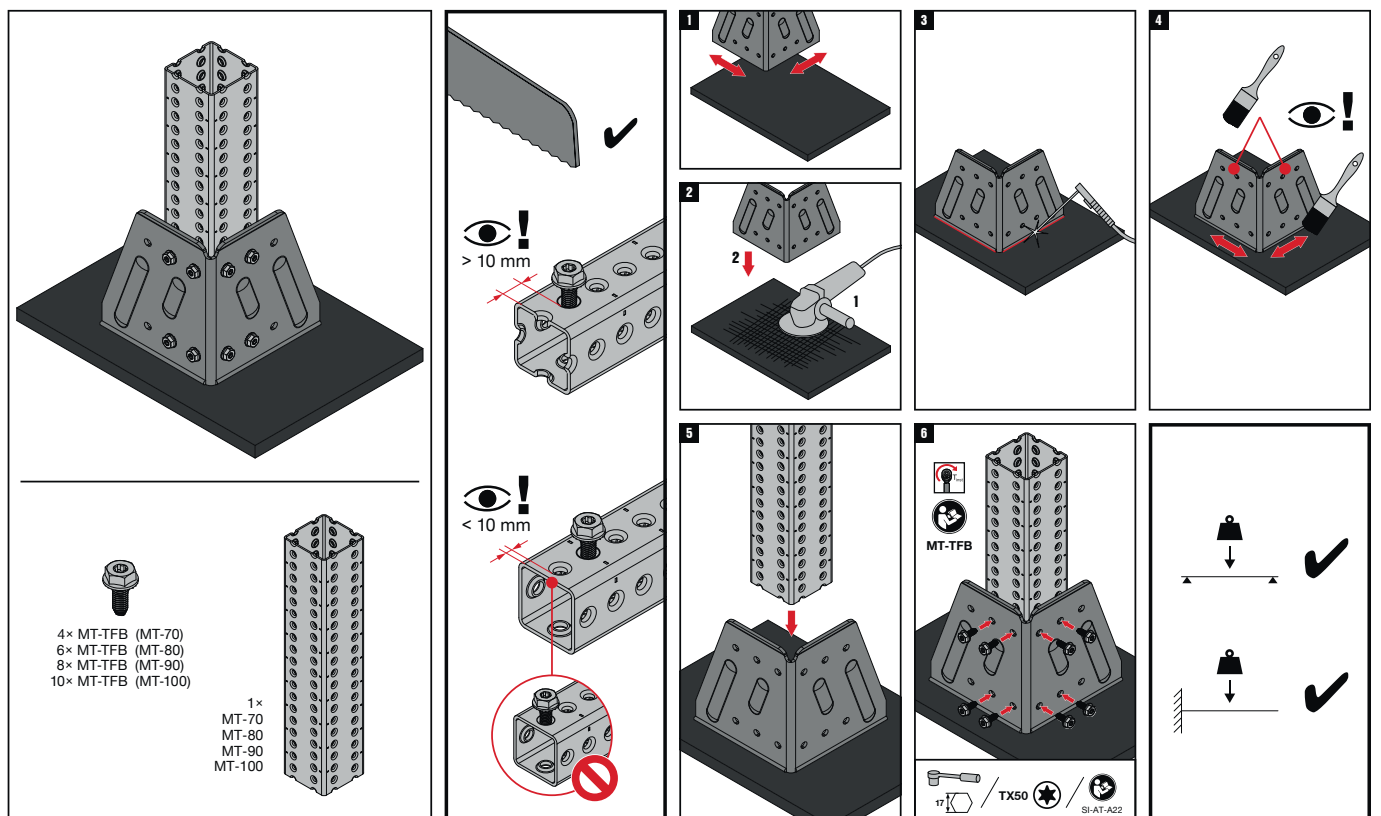
2359996-04.2022



The latest IFU (Instruction For Use) is available on Hilti Online. Please check for any revisions before installing the product.

MT-B-G WS NC

2294693-07.2020



The latest IFU (Instruction For Use) is available on Hilti Online. Please check for any revisions before installing the product.

MT Closed Profiles Base Material Connectors

Angle Connector - Outdoor

Operation Instruction

MT-B-G AS OC

2334552-07.2020

A

- 4x MT-TFB
- 1x MT-70 / MT-80
- 4 x M12 / 1/2" / or = HUS
- 17 / TX50 / SI-AT-A22

1

- MT-TFB
- 0mm
- 17 / TX50 / SI-AT-A22

B

- 4x MT-TFB
- 1x MT-70 / MT-80
- 4 x S-BT M10 / W10
X-BT M10 / W10
F-BT M10 / 3/8"
- 17 / TX50 / SI-AT-A22

2A

- M12 / 1/2" / or = HUS

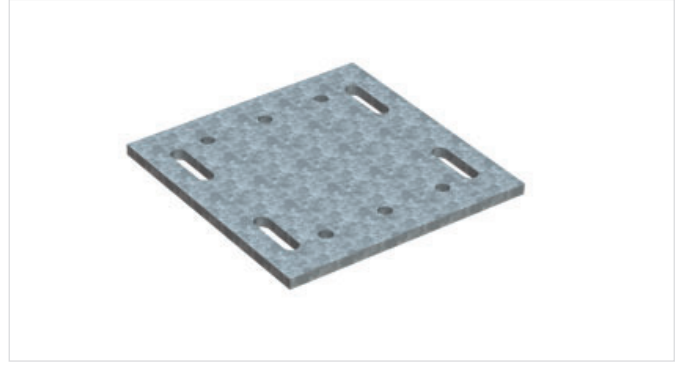
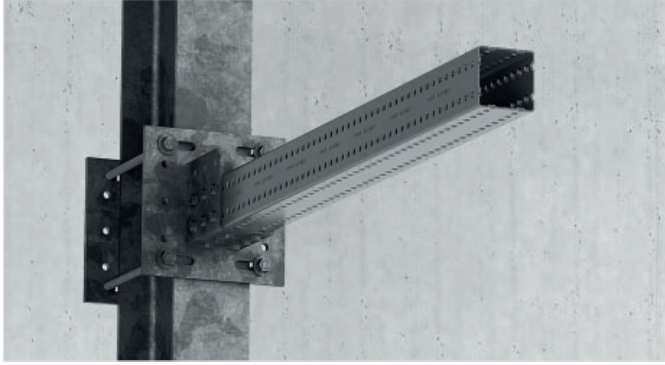
2B

- PROFIS
- S-BT M10/W10
X-BT M10/W10
F-BT M10/ 3/8"

The latest IFU (Instruction For Use) is available on Hilti Online. Please check for any revisions before installing the product.

MT Closed Profiles Base Material Connectors

Sandwich Plate - Outdoor



Applications

- Assembling a sandwich clamp around structural steel for fastening MT baseplates (threaded rod required)
- Suitable for use in moderately corrosive environments

Technical data

Material composition	Q355 or better steel
Surface finish	Outdoor Coated - HDG

Advantages

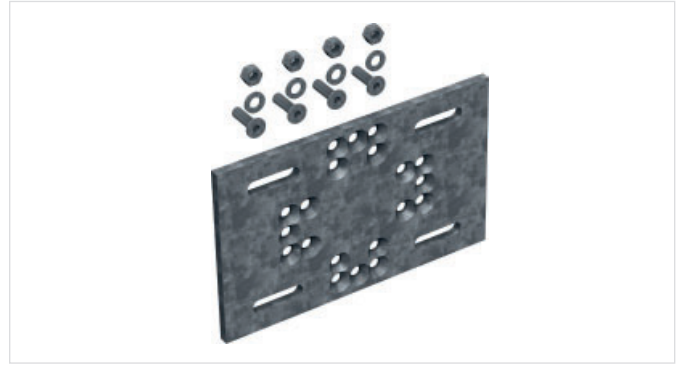
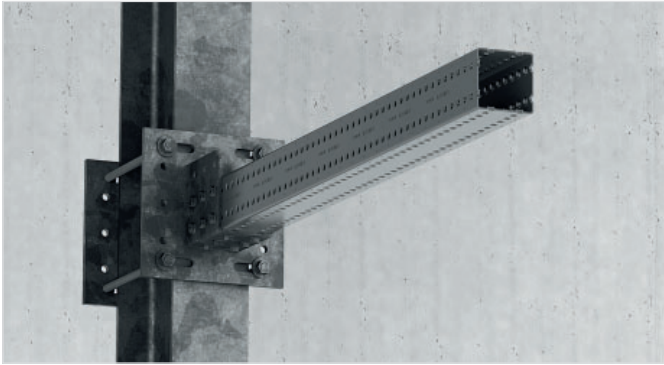
- Part of the Hilti MT system – an economical, all-in-one solution for virtually all modular MEP support structures
- Easy to install – four slotted anchor holes to simplify positioning
- No drilling, welding or anchoring required – clamp modular baseplates around a steel beam without fastening directly to it

MT-P-GXL S1 OC Sandwich Plate - Outdoor

Order Designation	Thickness	Weight	Technical data	Sales pack quantity	Item number	
MT-P-GXL S1 OC	15 mm	6902 g	Outdoor, low to moderate pollution (C3 / C4 - low)	2 pc	2272110	

MT Closed Profiles Base Material Connectors

Modular Base Plate - Outdoor



Applications

- Attaching triangular bracing and grid baseplates to structural steel without the need for direct fastening
- Bracing connections to steel, closed profile cantilevers with MT-70/80 to steel and back plates for sandwich connections

Advantages

- Part of the Hilti MT system – an economical, all-in-one solution for virtually all modular MEP support structures
- Lighter MEP support structures – save weight compared with MI and welded solutions
- Compatible with the Hilti Adaptive Torque system – use a cordless impact wrench to tighten nuts to the correct pretension more economically (compatible tool and SI-AT module required)

Technical data

Material composition	Q355 or better steel
Surface finish	Outdoor Coated - HDG

MT-P-G S1 / S2 / S3 OC Modular Base Plate - Outdoor

Order Designation	Thickness	Weight	Technical data	Sales pack quantity	Item number	
MT-P-G S1 OC	12 mm	3368g	Outdoor, low to moderate pollution (C3 / C4 - low)	1 baseplate, 4 bolts, 4 washers and 4 nuts	2343199	
MT-P-G S2 OC	12 mm	3302g		1 baseplate, 4 bolts, 4 washers and 4 nuts	2343280	
MT-P-G S3 OC	12 mm	4131g		1 baseplate, 4 bolts, 4 washers and 4 nuts	2343281	

MT Closed Profiles Base Material Connectors

Modular Base Plate - Outdoor

5

MT-P-GM S1 / S2 / S3 OC Modular Base Plate - Outdoor

Order Designation	Thickness	Weight	Technical data	Sales pack quantity	Item number	
MT-P-GM S1 OC set	12 mm	6550g	Outdoor, low to moderate pollution (C3 / C4 - low)	2 baseplates, 8 bolts, 8 washers and 8 nuts	2345353	
MT-P-GM S2 OC set	12 mm	6450g		2 baseplates, 8 bolts, 8 washers and 8 nuts	2345354	
MT-P-GM S3 OC set	12 mm	8100g		2 baseplates, 8 bolts, 8 washers and 8 nuts	2345355	

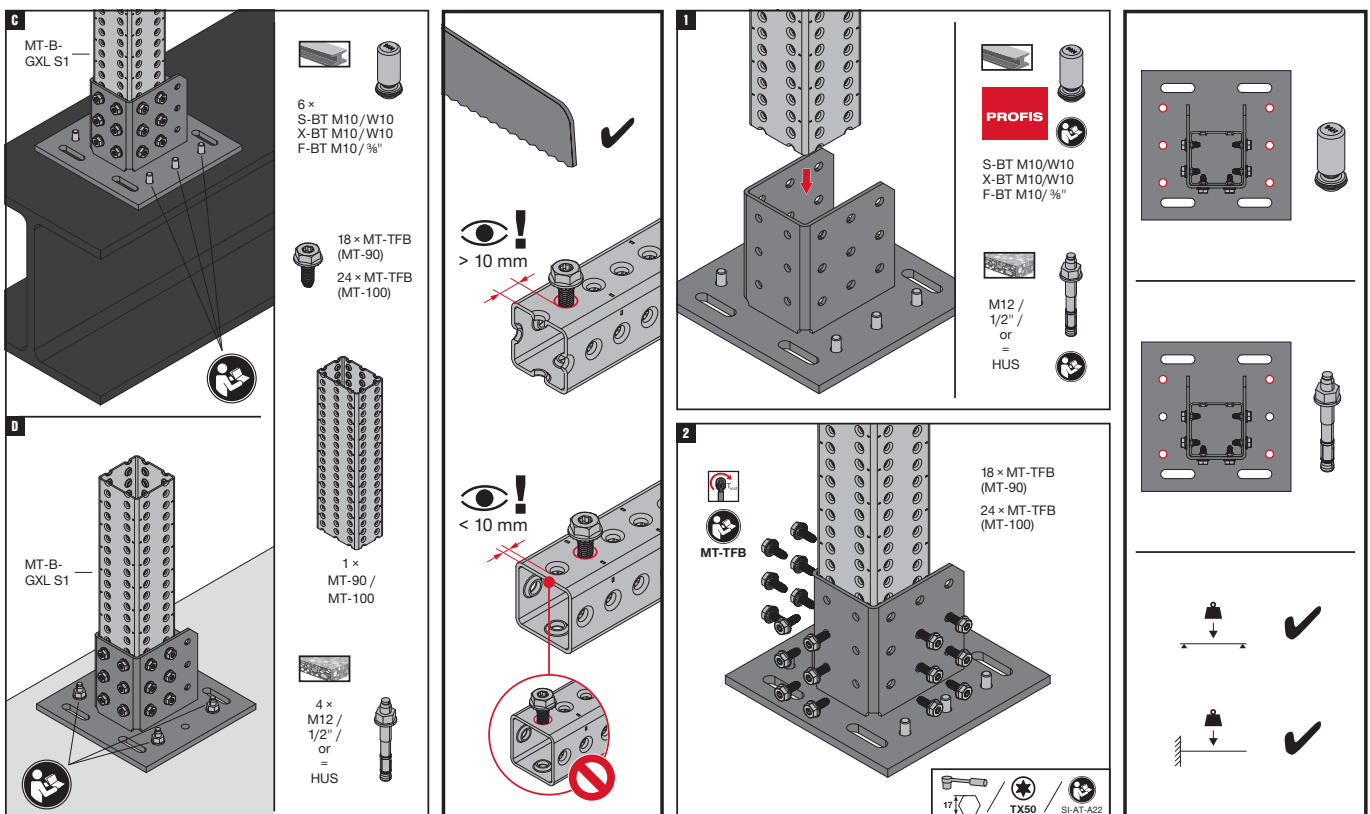
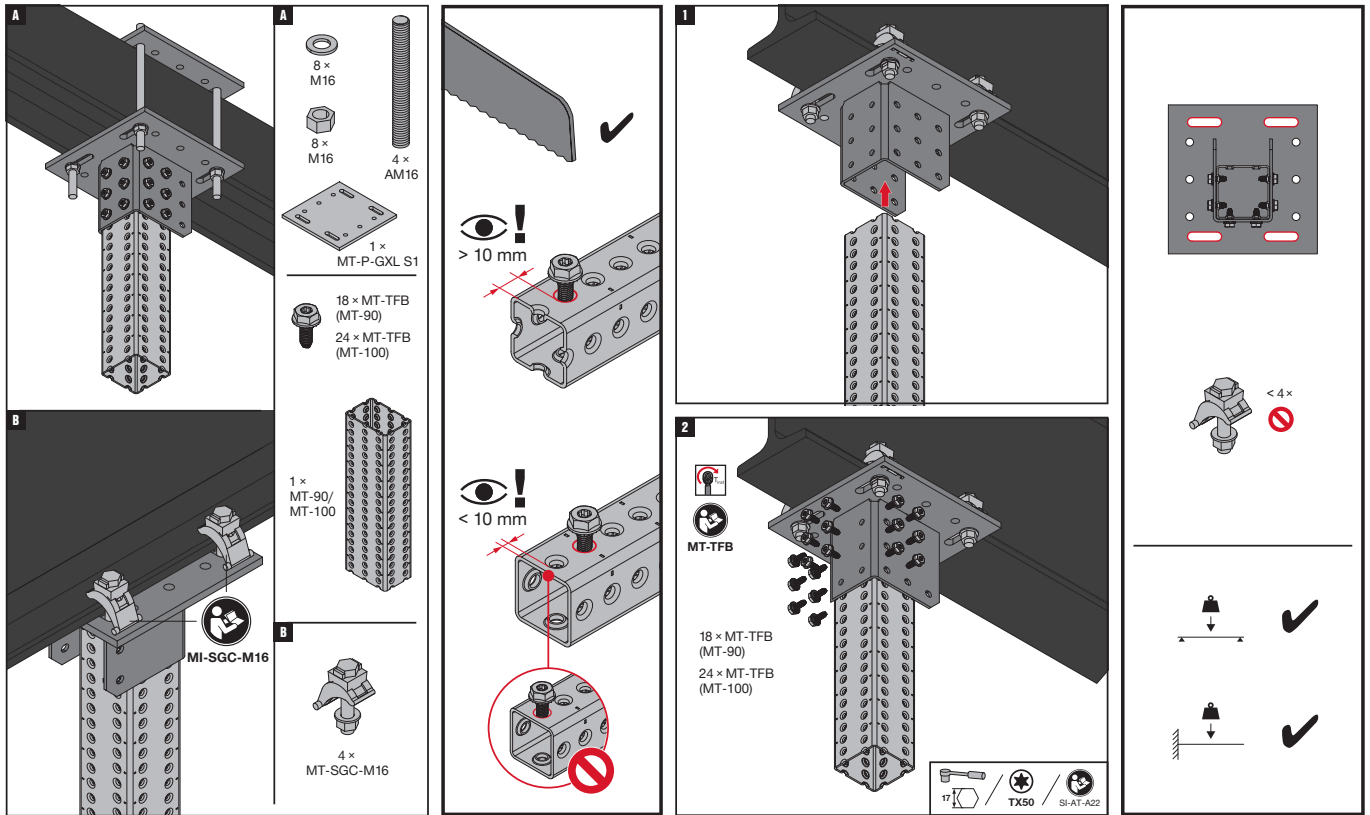
MT Closed Profiles Base Material Connectors

Connections To Steel - Outdoor

Operation Instruction

MT-B-GXL S1 OC / MT-B-GXL S2 OC / MT-B-GXL S3 OC

2294692-09 2020



The latest IFU (Instruction For Use) is available on Hilti Online. Please check for any revisions before installing the product.

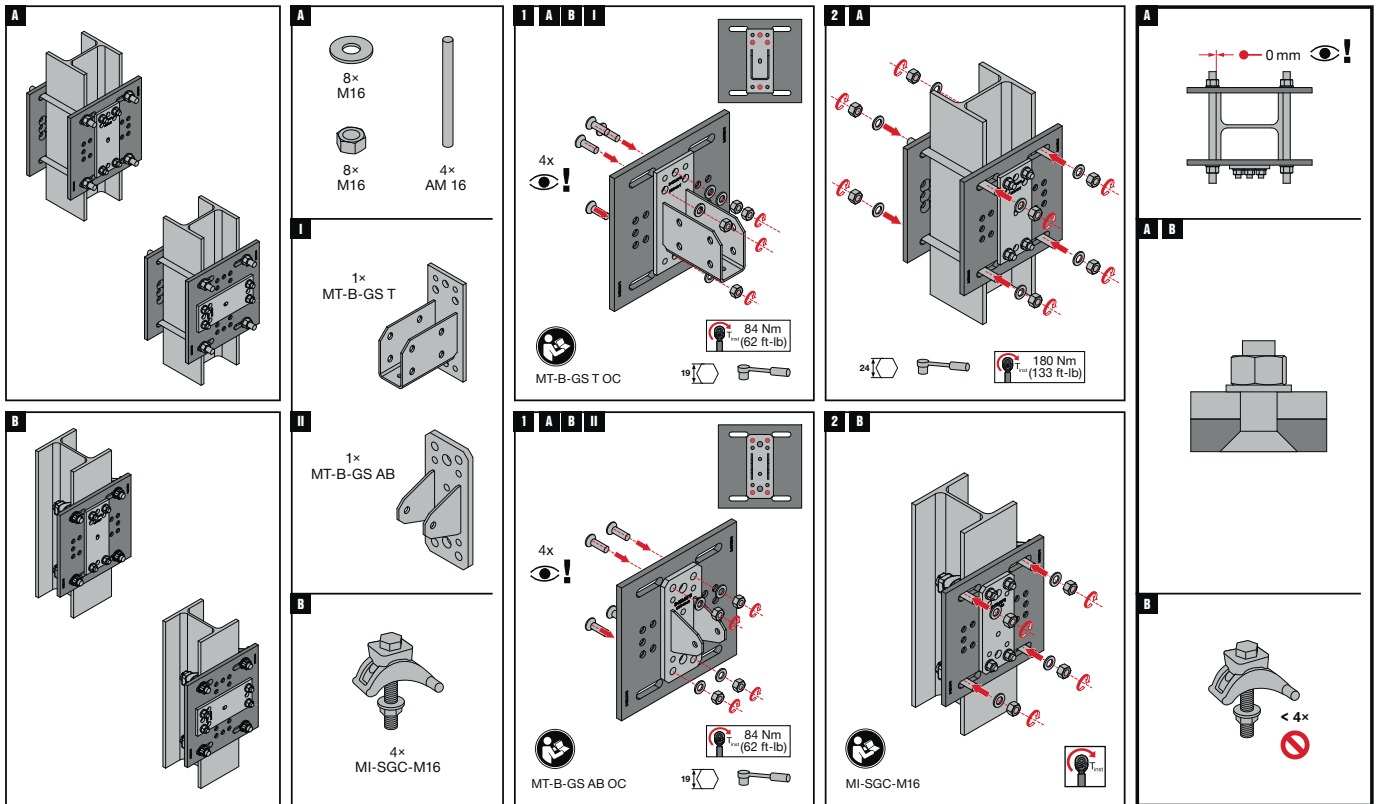
MT Closed Profiles Base Material Connectors

Connections To Steel - Outdoor

Operation Instruction

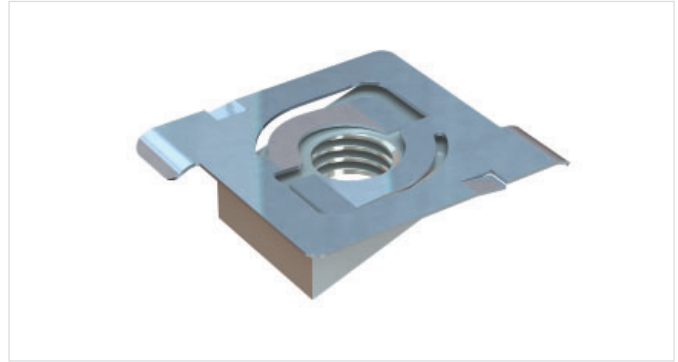
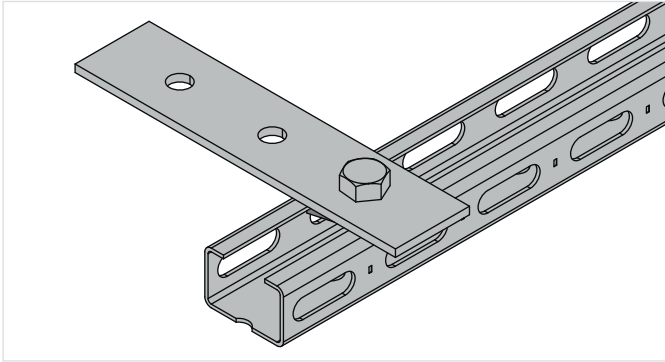
MT-P-GM S1 OC + MT-P-G S1 OC / MT-P-GM S2 OC + MT-P-G S2 OC / MT-P-GM S3 OC + MT-P-G S3 OC

2347908-11.2021



The latest IFU (Instruction For Use) is available on Hilti Online. Please check for any revisions before installing the product.

MT Media Fixation For Open C-channels (Struts) Threaded Fixation Plate



Applications

- Attaching MEP media (hardware) to MT strut when no shear load resistance is required

Technical data

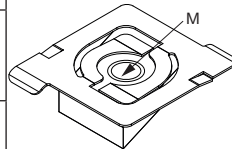
Material composition	Q235B or better steel
Surface finish	Pre-galvanized - for dry indoor use only

Advantages

- Part of the Hilti MT system – an economical, all-in-one solution for virtually all modular MEP support structures
- Simple media fixation method where no shear force resistance is required
- Easy to install – insert into strut channel using a one-handed “push-and-twist” motion

MT-FPT M8 / M10 / M12 Threaded Fixation Plate

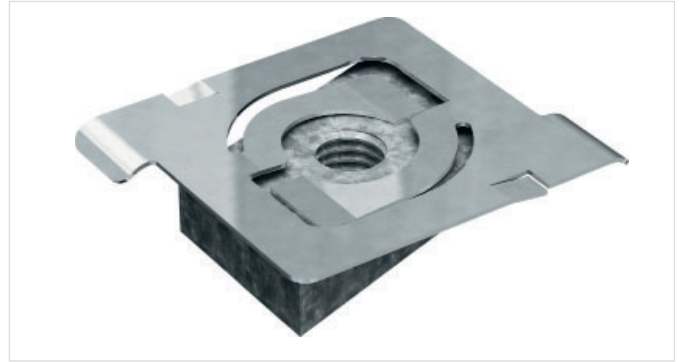
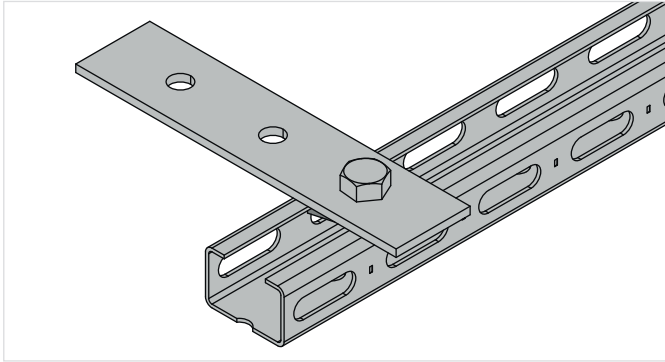
Order Designation	Technical data	Sales pack quantity	Item number
MT-FPT M8	Dry indoor conditions (C1) Indoor with temporary condensation (C2)	50 pc	2281867
MT-FPT M10		50 pc	2282193
MT-FPT M12		50 pc	2282195



MT Media Fixation For Open C-channels (Struts)

Threaded Fixation Plate - Outdoor

6


Applications

- Attaching MEP media (hardware) to MT strut when no shear load resistance is required

Technical data

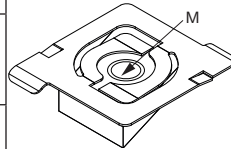
Material composition	Q235B or better
Surface finish	Hot-dip galvanized - for outdoor use

Advantages

- Part of the Hilti MT system – an economical, all-in-one solution for virtually all modular MEP support structures
- Simple media fixation method where no shear force resistance required
- Easy to install – insert into strut channel using a one-handed “push-and-twist” motion

MT-FPT OC M8 / M10 / M12 OC Threaded Fixation Plate - Outdoor

Order Designations	Technical data	Sales pack quantity	Item number
MT-FPT M8 OC	Outdoor, low to moderate pollution (C3 / C4 - low)	50 pc	2282192
MT-FPT M10 OC		50 pc	2282194
MT-FPT M12 OC		50 pc	2282196



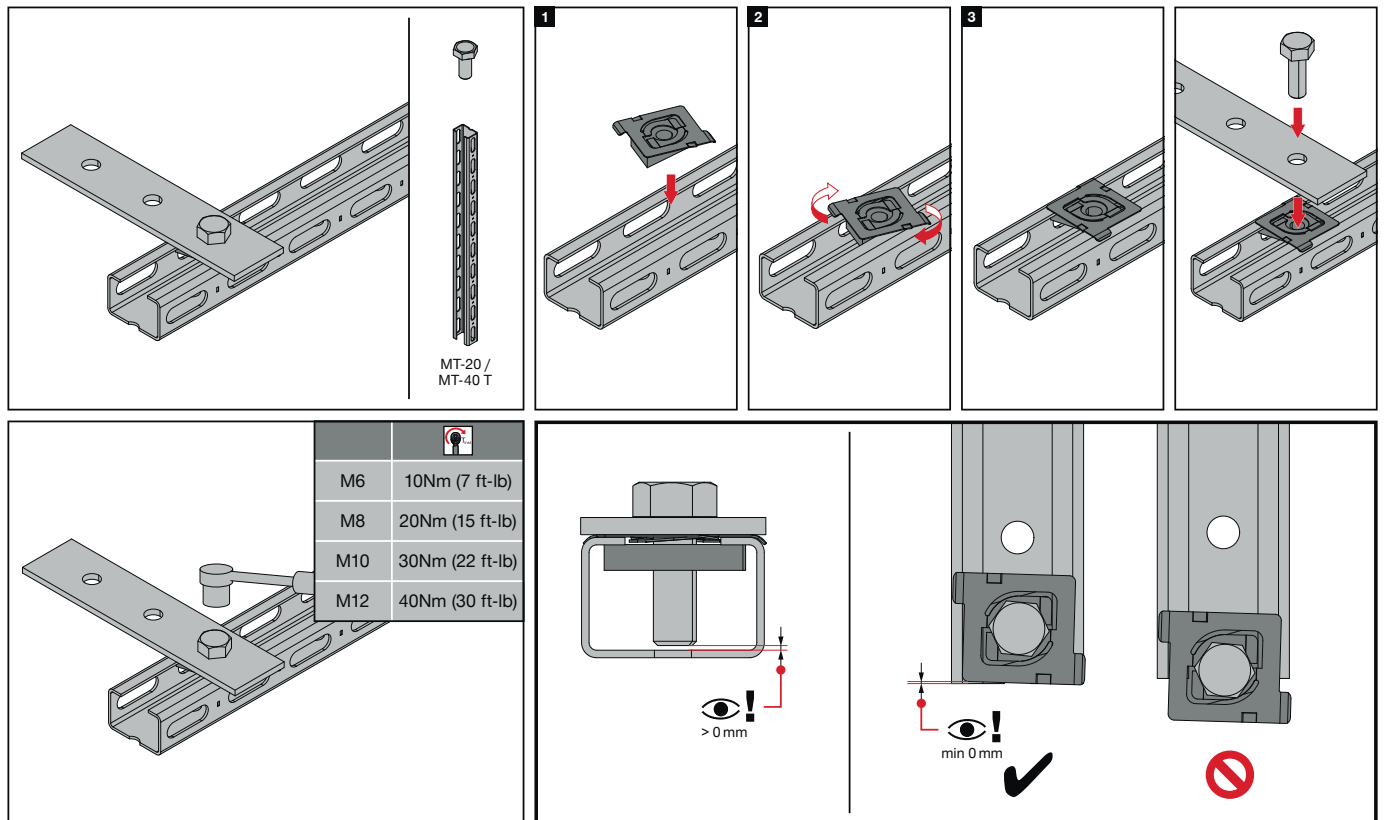
MT Media Fixation For Open C-channels (Struts)

Threaded Fixation Plate

Operation Instruction

MT-FPT / MT-FPT OC

2294627-07.2020

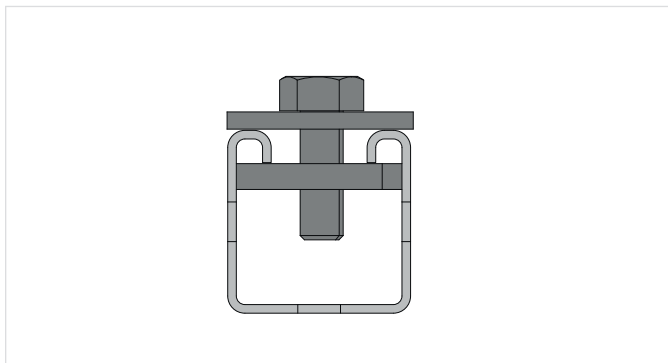


The latest IFU (Instruction For Use) is available on Hilti Online. Please check for any revisions before installing the product.

MT Media Fixation For Open C-channels (Struts)

Threaded Fixation Plate

6



Applications

- Attaching MEP media (hardware) to MT strut when no shear load resistance is required
- Suitable for use in dry, indoor environments

Advantages

- Part of the Hilti MT system – an economical, all-in-one solution for virtually all modular MEP support structures
- Simple media fixation method where no shear force resistance required

Technical data

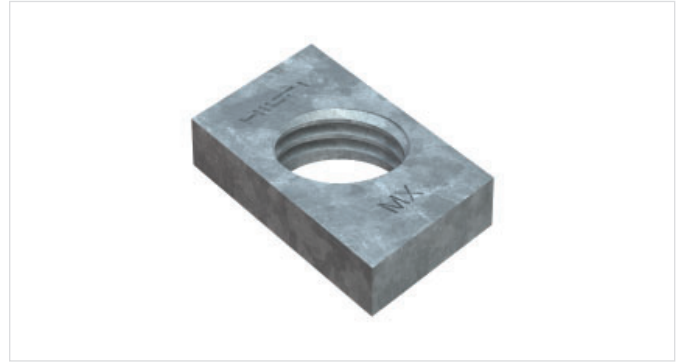
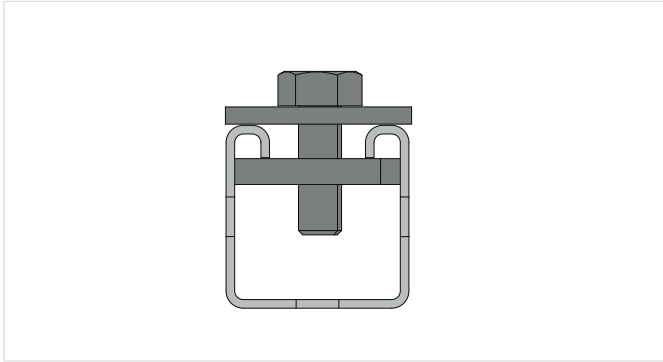
Material composition	Q235B or better steel
Surface finish	Pre-galvanized - for dry indoor use only

MT-FP M6 / M8 / M10 / M12 / M16 Threaded Fixation Plate

Order Designation	Technical data	Sales pack quantity	Item number	
MT-FP M6	Dry indoor conditions (C1) Indoor with temporary condensation (C2)	100 pc	2273653	
MT-FP M8		100 pc	2273655	
MT-FP M10		100 pc	2273657	
MT-FP M12		100 pc	2273659	
MT-FP M16		100 pc	2273671	

MT Media Fixation For Open C-channels (Struts)

Threaded Fixation Plate - Outdoor



Applications

- Attaching MEP media (hardware) to MT strut when no shear load resistance is required
- Suitable for use in moderately corrosive environments

Advantages

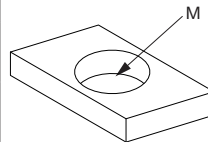
- Part of the Hilti MT system – an economical, all-in-one solution for virtually all modular MEP support structures
- Simple media fixation method where no shear force resistance required
- Corrosion resistance – hot-dip galvanized to help protect against moisture and chemical corrosion

Technical data

Material composition	Q235B or better steel
Surface finish	Hot-dip galvanized - for outdoor use

Threaded Fixation Plate - Outdoor

Item designation	Technical data	Sales pack quantity	Item number
MT-FP M6 OC	Outdoor, low to moderate pollution (C3 / C4 - low)	100 pc	2273654
MT-FP M8 OC		100 pc	2273656
MT-FP M10 OC		100 pc	2273658
MT-FP M12 OC		100 pc	2273670
MT-FP M16 OC		100 pc	2273672



MT Media Fixation For Open C-channels (Struts)

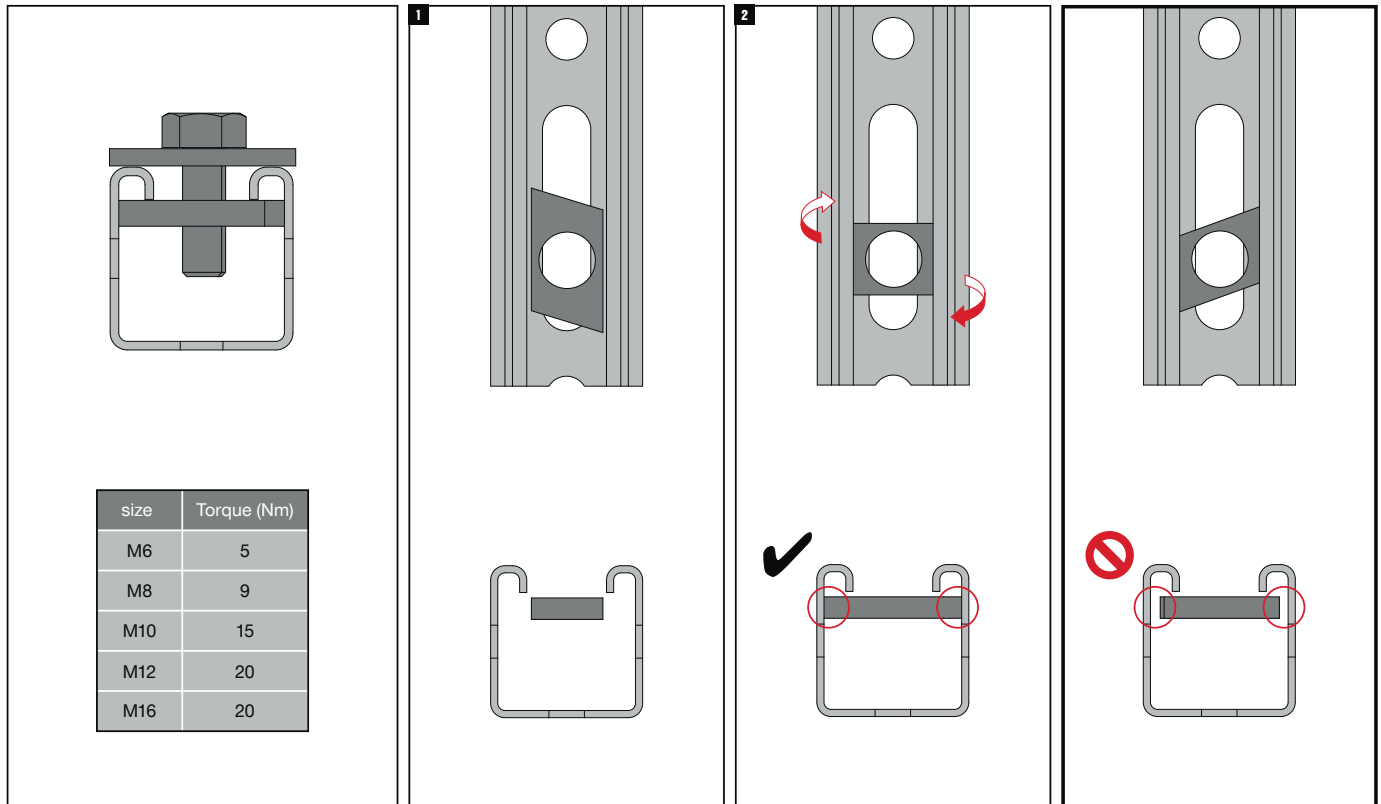
Threaded Fixation Plate

6

Operation Instruction

MT-FP / MT-FP OC

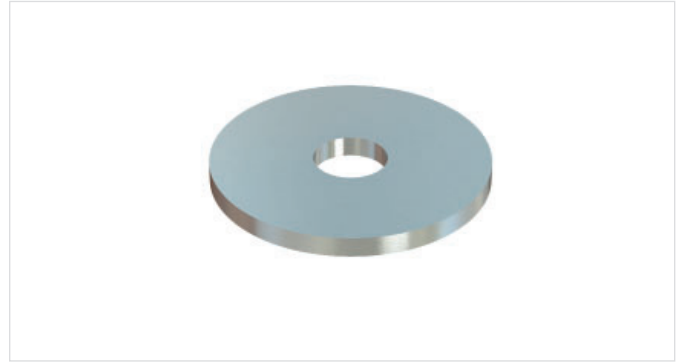
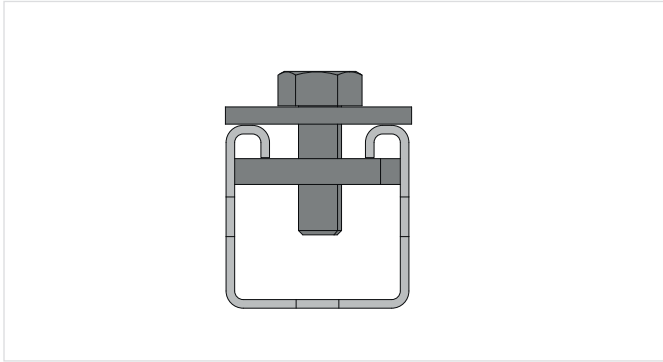
2298189-07.2020



The latest IFU (Instruction For Use) is available on Hilti Online. Please check for any revisions before installing the product.

MT Media Fixation For Open C-channels (Struts)

Washer - Outdoor



Applications

- Assembling strut trapeze for piping supports

Technical data

Material composition	Q235 or better steel
Surface finish	Outdoor Coated - HDG

Advantages

- Part of the Hilti MT system – an economical, all-in-one solution for virtually all modular MEP support structures
- Versatile solution for fastening pipe rings to the open face of MT strut channels using MT-FP threaded plates

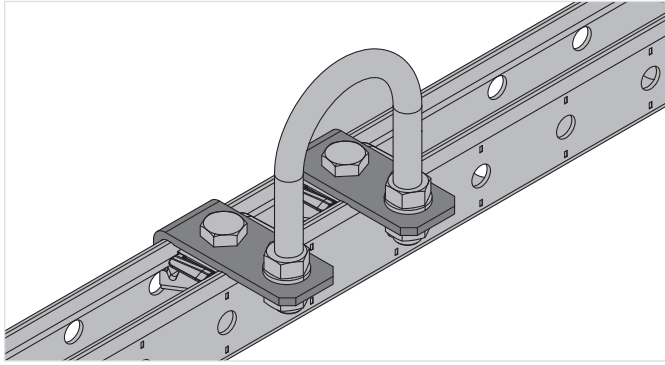
MT-ZW M8 / M10 / M12 / M16 OC Washer - Outdoor

Order Designation	Weight	Technical data	Sales pack quantity	Item number	
MT-ZW M8 OC	2 g	Outdoor, low to moderate pollution (C3 / C4 - low)	100 pc	2283114	
MT-ZW M10 OC	4 g		100 pc	2283115	
MT-ZW M12 OC	6 g		100 pc	2283116	
MT-ZW M16 OC	11 g		100 pc	2283117	

MT Media Fixation For Open C-channels (Struts)

U-bolt Fixation Angle

6



Applications

- Attaching MEP media to MT strut channels
- Suitable for use in dry, indoor environments

Advantages

- Part of the Hilti MT system – an economical, all-in-one solution for virtually all modular MEP support structures
- Easy to install – compatible with the Hilti MT Twist-Lock, a faster alternative to spring nuts for assembling a modular support system
- Simple media fixation method

Technical data

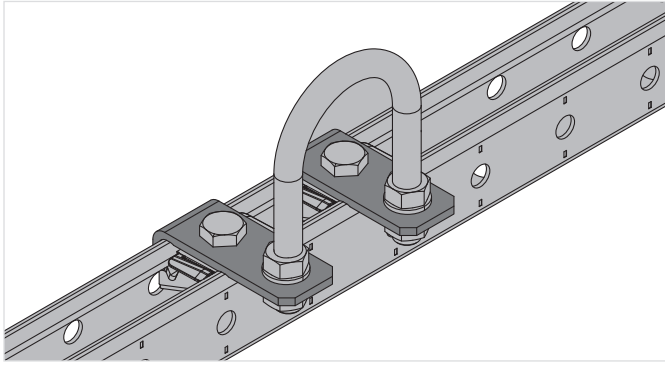
Material composition	Q235B or better steel
Surface finish	Pre-galvanized - for dry indoor use only

MT-FA-C M8 / M10 / M12 / M16 U-bolt Fixation Angle

Order designations	Technical data	Sales pack quantity	Item number	
MT-FA-C M8	Dry indoor conditions (C1) Indoor with temporary condensation (C2)	20 pc	2273686	
MT-FA-C M10		20 pc	2273688	
MT-FA-C M12		20 pc	2273690	
MT-FA-C M16		20 pc	2273692	

MT Media Fixation For Open C-channels (Struts)

U-bolt Fixation Angle - Outdoor



Applications

- Attaching MEP media to MT strut channels
- Suitable for use in moderately corrosive environments

Technical data

Material composition	Q355B or better steel
Surface finish	Hot-dip galvanized - for outdoor use

Advantages

- Part of the Hilti MT system – an economical, all-in-one solution for virtually all modular MEP support structures
- Easy to install – compatible with the Hilti MT Twist-Lock, a faster alternative to spring nuts for assembling a modular support system
- Simple media fixation method

MT-FA-C OC U-bolt Fixation Angle

Order designation	Technical data	Sales pack quantity	Item number	
MT-FA-C M8 OC	Outdoor, low to moderate pollution (C3 / C4 - low)	20 pc	2273687	
MT-FA-C M10 OC		20 pc	2273689	
MT-FA-C M12 OC		20 pc	2273691	
MT-FA-C M16 OC		20 pc	2273652	

MT Media Fixation For Open C-channels (Struts)

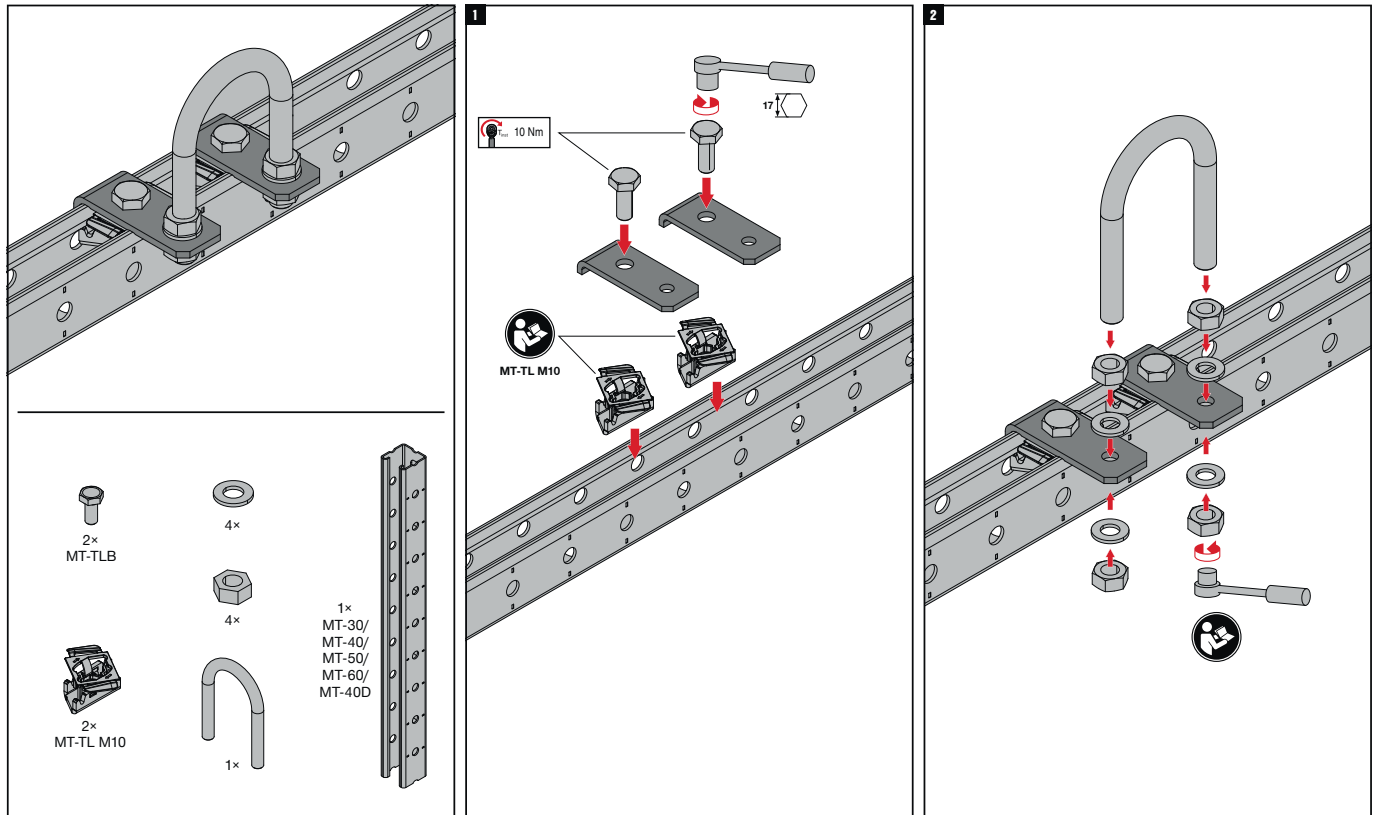
U-bolt Fixation Angle

6

Operation Instruction

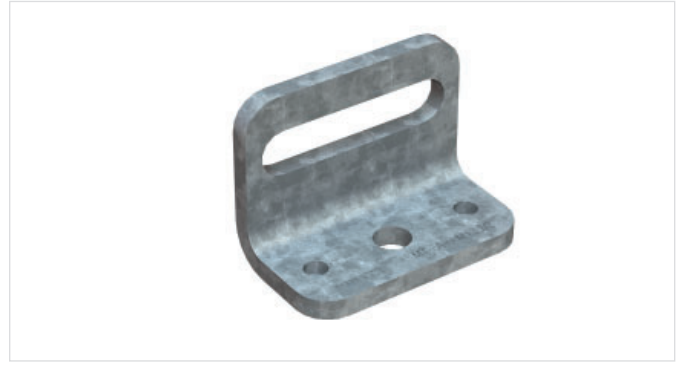
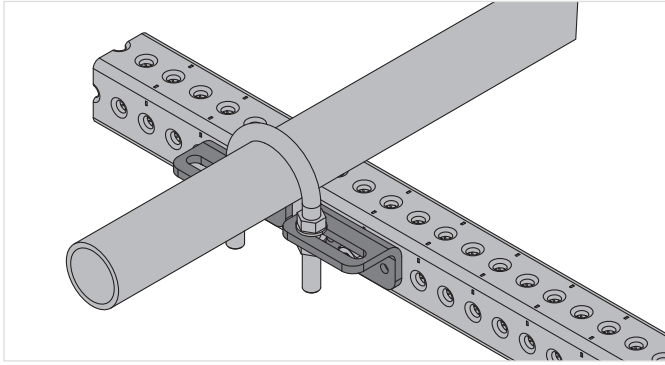
MT-FA-C M8/M10/M12/M16 / MT-FA-C M8/M10/M12/M16 OC

2294628-07.2020



The latest IFU (Instruction For Use) is available on Hilti Online. Please check for any revisions before installing the product.

MT Media Fixation For Closed Profiles U-bolt Fixation Angle - Outdoor



Applications

- Attaching MEP media to MT closed profiles
- Suitable for use in moderately corrosive environments

Advantages

- Part of the Hilti MT system – an economical, all-in-one solution for virtually all modular MEP support structures
- Easy to install – one-step fastening using Hilti MT-TFB thread-forming bolts
- Simple media fixation method

Technical data

Material composition	Q235B or better steel
Surface finish	Hot-dip galvanized - for outdoor use

MT-FA-G OC Closed Profile U-bolt Fixation Angle - Outdoor

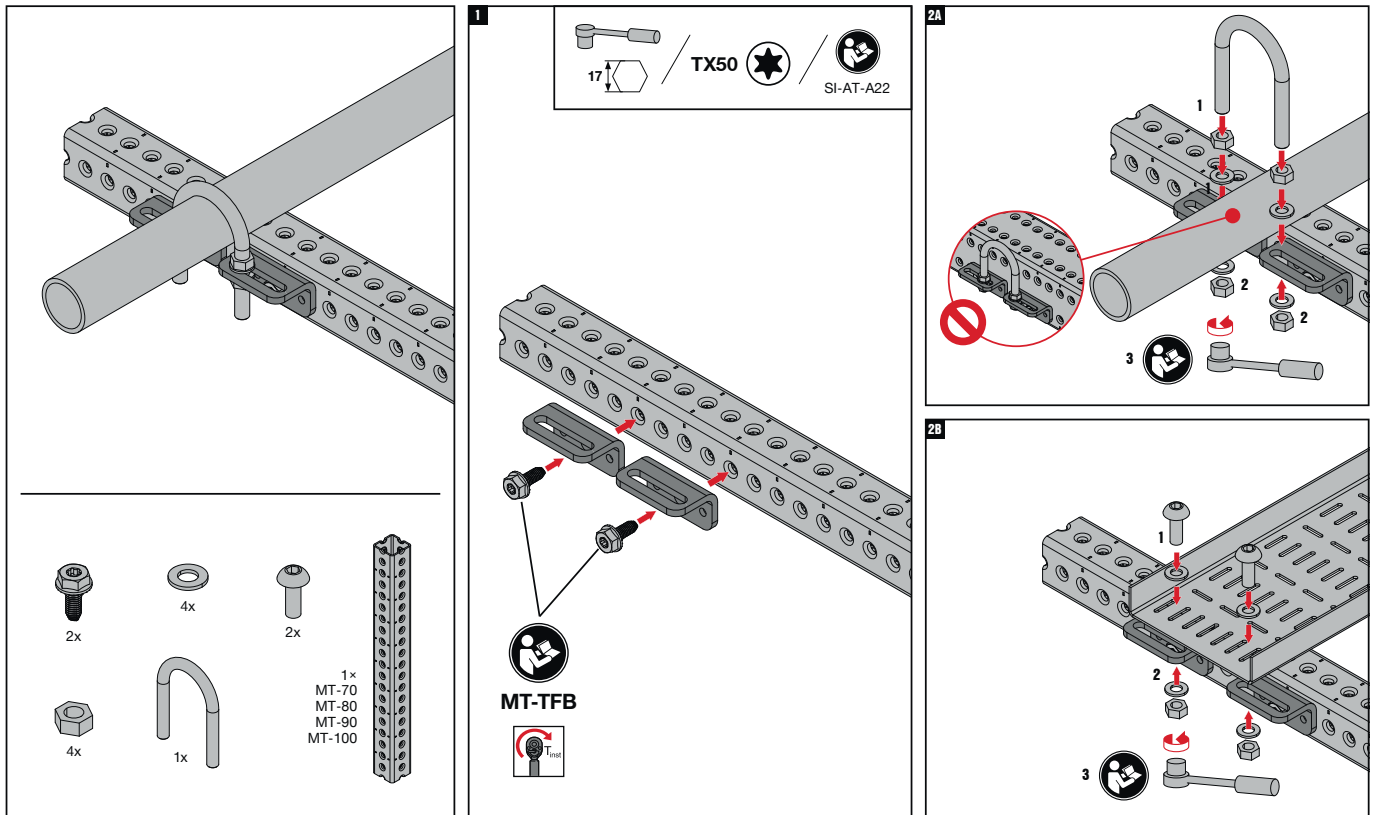
Order Designation	Technical data	Sales pack quantity	Item number	
MT-FA-G M10 3/8 OC	Outdoor, low to moderate pollution (C3 / C4 - low)	10 pc	2273681	
MT-FA-G M12 1/2 OC		10 pc	2273682	
MT-FA-G M16 5/8 OC		10 pc	2273683	
MT-FA-G M22 7/8 OC		10 pc	2273684	
MT-FA-G M24 1 OC		10 pc	2273685	

MT Media Fixation For Closed Profiles

U-bolt Fixation Angle - Outdoor

Operation Instruction MT-FA-G OC

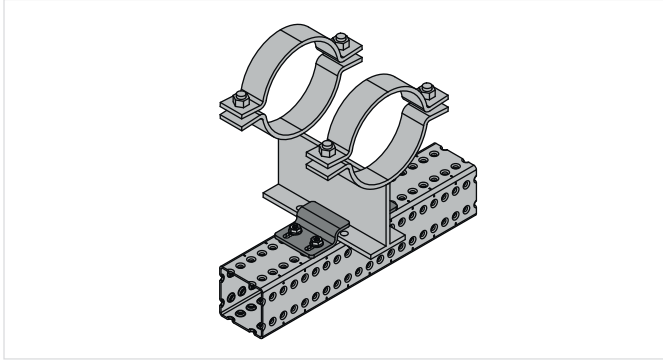
2294698-07 2020



The latest IFU (Instruction For Use) is available on Hilti Online. Please check for any revisions before installing the product.

MT Media Fixation For Closed Profiles

Sliding Axial Guide Pipe Shoe Fixation - Outdoor



Applications

- Fastening MP-PS pipe shoes to MT closed profiles restricting the movement to an axial sliding
- Recommended for use in Indoor or Outdoor with low to moderate pollution (C3)

Advantages

- Easier to install – slotted anchor holes to simplify pipe shoe positioning and fastening
- Adaptable – suitable for any size and configuration of Hilti MP pipe shoe
- Safer jobsites – avoid welding and drilling

Technical data

Material composition	S280GD+ZM300
Surface finish	Outdoor Coated - ZM

MT-FPS-SF / SZ1 / SZ2 OC Sliding Axial Guide Pipe Shoe Fixation - Outdoor

Order Designation	Weight	Technical data	Sales pack quantity	Item number	
MT-FPS-SF OC	0,27 kg	Outdoor, low to moderate pollution (C3 / C4 - low)	8 pc	2330920	
MT-FPS-SZ1 OC	0,18 kg		12 pc	2331078	
MT-FPS-SZ2 OC	0,26 kg		10 pc	2331079	

MT Media Fixation For Closed Profiles

Sliding Axial Guide Pipe Shoe Fixation - Outdoor

Operation Instruction

MT-FPS-GS OC / MT-FPS-GL OC

2334620-03.2022

1

	MT-TFB	MT-TFB	MT-TFB	MT-TLB
	MT-70 / MT-80 S	MT-80 / MT-90	MT-100	MT-U-GL1
MT-FPS-SF	A-D	A-D	A-D*	A
MT-FPS-GF	A	A	A*	A

	MT-FPS-GF OC	
MP-PS 1-1	ok	ok
MP-PS 2-2	ok	ok
MP-PS L4-2	-	ok
MP-PS M4-2	-	ok
MP-PS H4-2	ok	ok

*without 1-1

4

2A

#		MT-FPS-SF / MT-FPS GF
MP-PS x1 - 1x	4	2 pcs
MP-PS x2 - 2x	4	2 pcs
MP-PS x4 - 2x	8	4 pcs

2B

MT-U-GL1	#	#
MP-PS x1-1x	4	8
MP-PS x2-2x	4	8
MP-PS x4-2x	-	-

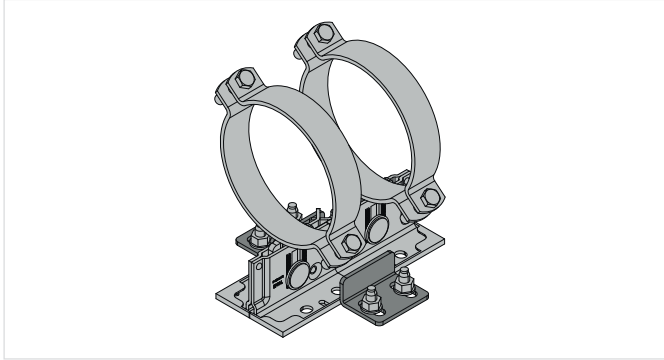
MT-U-GL1	MT-TLB OC	M10-SL OC	A 10.5/20-F	#	Torque
				17	20 Nm (14.75 ft-lb)
	M10x25-F	M10-F	A 10.5/20-F	17	20 Nm (14.75 ft-lb)

3

The latest IFU (Instruction For Use) is available on Hilti Online. Please check for any revisions before installing the product.

MT Media Fixation For Closed Profiles

Plain Guide Allowing Uplift Pipe Shoe Fixation - Outdoor



Applications

- Fastening MP-PS pipe shoes to MT closed profiles restricting the movement to axial sliding and vertical lifting
- Recommended for use in Indoor or Outdoor with low to moderate pollution (C3)

Advantages

- Easier to install – slotted anchor holes to simplify pipe shoe positioning and fastening
- Adaptable – suitable for any size of Hilti MP pipe shoe in stand-up configuration
- Safer jobsites – avoid welding and drilling

Technical data

Material composition	S280GD+ZM300
Surface finish	Outdoor Coated - ZM

MT-FPS-GF / GL1 / GL2 OC Plain Guide Allowing Uplift Pipe Shoe Fixation - Outdoor

Order Designation	Weight	Technical data	Sales pack quantity	Item number	
MT-FPS-GF OC	0,30 kg	Outdoor, low to moderate pollution (C3 / C4 - low)	8 pc	2330921	
MT-FPS-GL1 OC	0,18 kg		12 pc	2331080	
MT-FPS-GL2 OC	0,26 kg		10 pc	2331081	

MT Media Fixation For Closed Profiles

Plain Guide Allowing Uplift Pipe Shoe Fixation - Outdoor

Operation Instruction

MT-FPS SZx OC SET / MT-FPS GLx OC SET

2334219-08.2021

1

	MT-TFB	MT-TFB	MT-TFB	MT-TLB	X-BT / F-BT	HST3 / KB-TZ2
	MT-70 / MT-80 S	MT-80 / MT-90	MT-100	MT-U-GL1		
MT-FPS-SZ1	A-D	-	-	-	A-D	A-D
MT-FPS-SZ2	-	A-D	A-D	A	A-D	A-D
MT-FPS-GL1	A	-	-	-	-	-
MT-FPS-GL2	-	A	A	A	A	A

MT-FPS-GL1 MT-FPS-GL2
MT-FPS-SZ1 MT-FPS-SZ2

2B

	MT-U-GL1
MP-PS x1-1x	4 8
MP-PS x2-2x	4 8
MP-PS x4-2x	-

	MT-TLB OC	M10-SL OCA	10.5/20-F	17	20 Nm (14.75 ft-lb)
MT-U-GL1	M10x25-F	M10-F	A 10.5/20-F	17	20 Nm (14.75 ft-lb)

2C

	X-BT / F-BT
MP-PS x1-1x	4
MP-PS x2-2x	4
MP-PS x4-2x	4

X-BT MR M10/ W10
F-BT MR M10/ 3/8"

min. 20 Nm (14.75 ft-lb)

2A

MT-TFB

2334219-08.2021

2D

	HST3-M12 / KB-TZ2 1/2"
MP-PS x1-1x	4
MP-PS x2-2x	4
MP-PS x4-2x	4

HST3-M12
HST3-R M12

KB-TZ2 1/2"
KB-TZ2 1/2" SS304
KB-TZ2 1/2" SS316

3

≤ 2mm / 5/64"

	MT-FPS SZx / MT-FPS-GLx
MP-PS x1-1x	2 pcs
MP-PS x2-2x	2 pcs
MP-PS x4-2x	2 pcs

4

The latest IFU (Instruction For Use) is available on Hilti Online. Please check for any revisions before installing the product.

MT Media Fixation For Closed Profiles

Plain Guide Allowing Uplift Pipe Shoe Fixation - Outdoor

Operation Instruction

MT-FPS SF OC SET / MT-FPS GF OC SET

2334620-03.2022

1

	MT-TFB	MT-TFB	MT-TFB	MT-TLB		MT-FPS-GF OC	
	MT-70 / MT-80 S	MT-80 / MT-90	MT-100	MT-U-GL1			
MT-FPS-SF	A-D	A-D	A-D'	A	MP-PS 1-1	ok	ok
MT-FPS-GF	A	A	A'	A	MP-PS 2-2	ok	ok
					MP-PS L4-2	-	ok
					MP-PS M4-2	-	ok
					MP-PS H4-2	ok	ok

*without 1-1

2A

#	MP-PS	MT-FPS-SF / MT-FPS GF
MP-PS x1 - 1x	4	2 pcs
MP-PS x2 - 2x	4	2 pcs
MP-PS x4 - 2x	8	4 pcs

2B

MT-U-GL1	MT-TLB OC	M10-SL OC	A 10.5/20-F	#	Torque
				4	20 Nm (14.75 ft-lb)
				4	20 Nm (14.75 ft-lb)
				-	-

MT-U-GL1	M10x25-F	M10-F	A 10.5/20-F	#	Torque
				17	20 Nm (14.75 ft-lb)
				17	20 Nm (14.75 ft-lb)

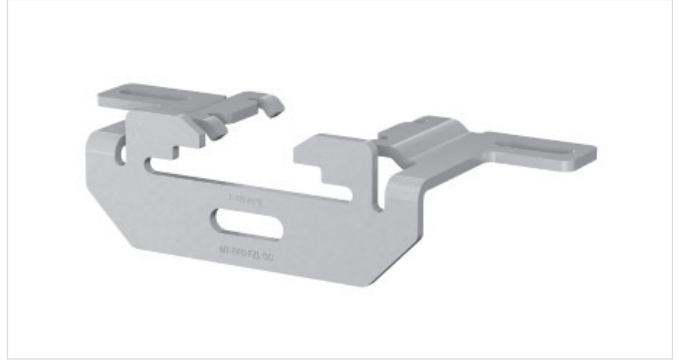
4

The latest IFU (Instruction For Use) is available on Hilti Online. Please check for any revisions before installing the product.

MT Media Fixation For Closed Profiles

Fixed point Pipe Shoe Fixation - Outdoor

6



Applications

- Installing fixed points with MP-PS pipe shoes on Hilti MT modular closed profiles
- Recommended for use in Indoor or Outdoor with low to moderate pollution (C3)

Advantages

- One-step installation – easy and quick fastening using Hilti MT thread-forming bolts
- Simpler method – suitable for single pipe clamp pipe shoes in combination with 100 or 150mm wide MT modular closed profiles
- Safer jobsites – avoid welding and drilling

Technical data

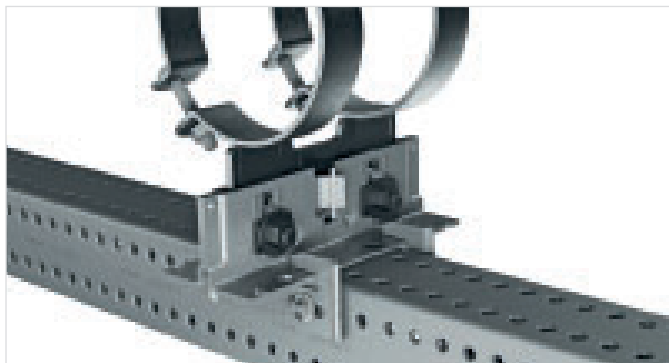
Material composition	S235JR - Yield280
Surface finish	Outdoor Coated - HDG

MT-FPS-FZL OC Fixed Point Pipe Shoe Fixation - Outdoor

Order Designation	Weight	Technical data	Sales pack quantity	Item number	
MT-FPS-FZL OC	0,60 kg	Outdoor, low to moderate pollution (C3 / C4 - low)	2 pc	2331077	

MT Media Fixation For Closed Profiles

Fixed point Pipe Shoe Fixation - Outdoor



Applications

- Installing fixed points with MP-PS pipe shoes on Hilti MT modular closed profiles
- Recommended for use in Indoor or Outdoor with low to moderate pollution (C3)

Technical data

Material composition	S280GD+ZM300
Surface finish	Outdoor Coated - ZM

Advantages

- One-step installation – quicker and easier fastening using Hilti MT thread-forming bolts
- Simpler method – suitable for all double pipe clamp pipe shoes in combination with all available MT modular closed profiles
- Safer jobsites – avoid welding and drilling

MT-FPS-FF OC Fixed Point Pipe Shoe Fixation - Outdoor

Order Designation	Weight	Technical data	Sales pack quantity	Item number	
MT-FPS-FF OC	0,27 kg	Outdoor, low to moderate pollution (C3 / C4 - low)	8 pc	2331076	

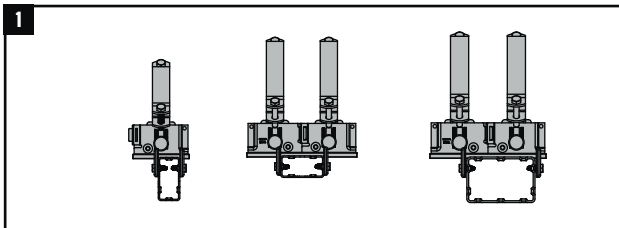
MT Media Fixation For Closed Profiles

Fixed point Pipe Shoe Fixation - Outdoor

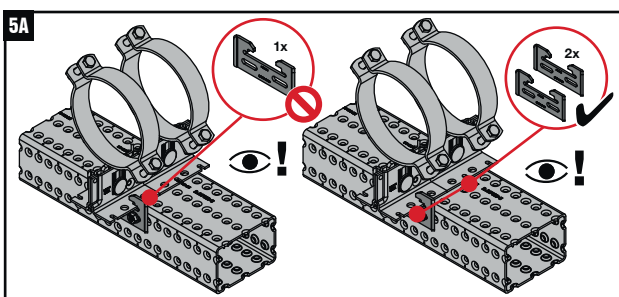
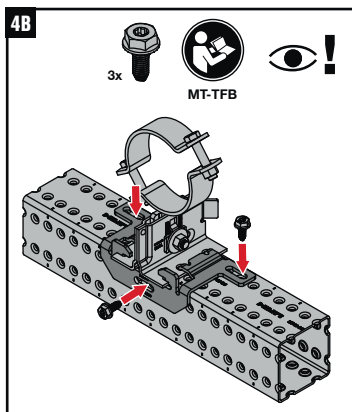
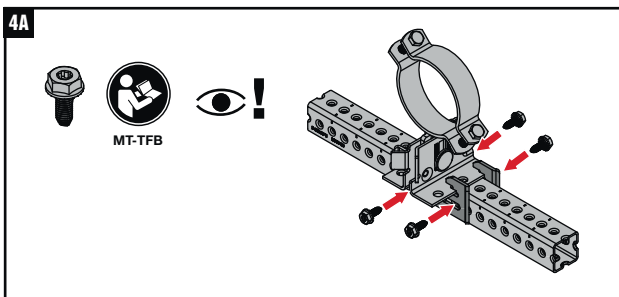
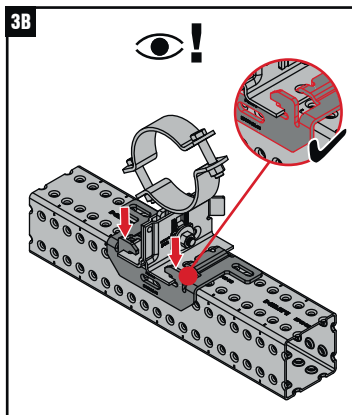
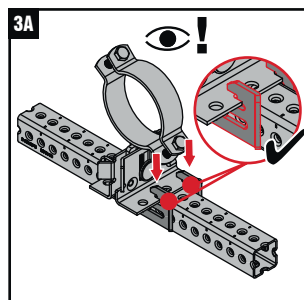
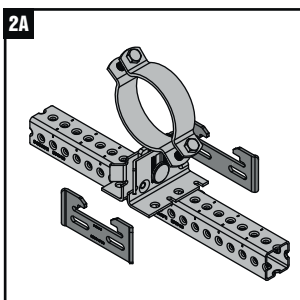
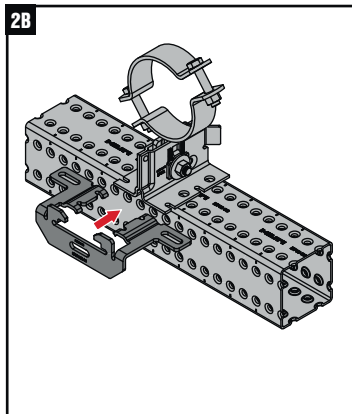
Operation Instruction

MT-FPS FZL OC / MT-FPS FF OC SET

2334481-08.2021



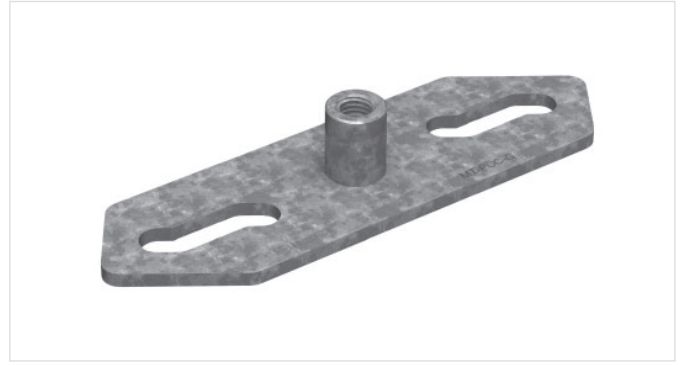
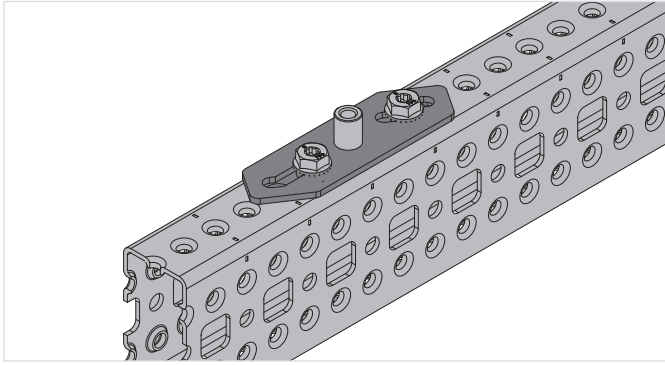
	MT-70 / MT-80 S	MT-80 / MT-90 / MT-100 S	MT-100
MP-PS x1-1x	2x MT-FPS FF OC	1x MT-FPS FZL OC	1x MT-FPS FZL OC
MP-PS x2-2x	2x MT-FPS FF OC	2x MT-FPS FF OC	2x MT-FPS FF OC + 4x A 10.5x30-F
MP-PS x4-2x	-	4x MT-FPS FF OC	4x MT-FPS FF OC + 8x A 10.5x30-F



The latest IFU (Instruction For Use) is available on Hilti Online. Please check for any revisions before installing the product.

MT Media Fixation For Closed Profiles

Pipe Connection Plate - Outdoor



Applications

- Connecting pipe clamps directly to MT-70, MT-80, MT-90 and MT-100 closed profiles
- Mounting medium/heavy-load pipes on trapeze
- Mounting medium/heavy-load pipes on wall brackets

Advantages

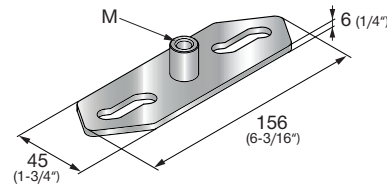
- Faster pipe clamp installation – attach a pipe clamp using just two thread forming bolts and an impact wrench with the Adaptive Torque module
- Full adjustability – easily install pipe clamps in the right position from M8 to M16
- Corrosion resistance – hot-dip galvanized to help protect against moisture and chemical corrosion

Technical data

Material composition	Q355 or better steel
Surface finish	Outdoor Coated - HDG

MT-PCC-G M8/M10 / M12 / M16 OC Pipe Connection Plate - Outdoor

Order Designation	Weight	Technical data	Sales pack quantity	Item number
MT-PCC-G M8/M10 OC	134 g	Outdoor, low to moderate pollution (C3 / C4 - low)	10 pc	2353801
MT-PCC-G M12 OC	189 g		10 pc	2354564
MT-PCC-G M16 OC	152 g		10 pc	2354155



MT Media Fixation For Closed Profiles

Pipe Connection Plate - Outdoor

6

Operation Instruction

MT-PCC-G OC

2359997-03.2022

A

MT-70 /
MT-80

B

MT-90 /
MT-100

A/B

2x
MT-TFB

1x
MQZ-A 1/2"-F /
MQZ-A 3/4"-F /
MQZ-A 1"-F

A1

MT-TFB

A/B

M8	MT-PCC-G M8/M10 OC	-
M10		-
M12	MT-PCC-G M12 OC	-
M16		-
1/2"	MT-PCC-G M16 OC	MQZ-A 1/2"-F
3/4"		MQZ-A 3/4"-F
1"		MQZ-A 1"-F

A

25mm

B1

MT-TFB

A/B

MQZ-A 1/2"-F /
MQZ-A 3/4"-F /
MQZ-A 1"-F

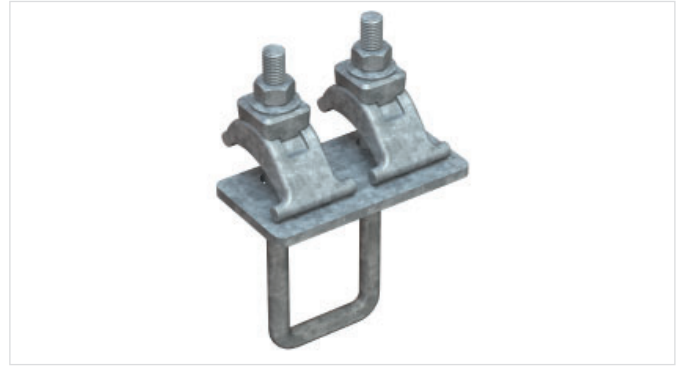
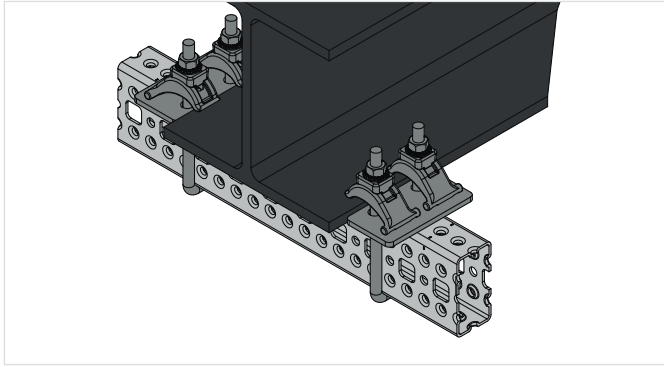
B

25mm

The latest IFU (Instruction For Use) is available on Hilti Online. Please check for any revisions before installing the product.

MT Closed Profiles Base Material Connectors

Beam Clamp Connections To Steel - Outdoor



Applications

- Mounting MT-70 and MT-80 girders on structural steel
- Suitable for use in moderately corrosive environments

Technical data

Material composition	Q235 or better steel
Surface finish	Outdoor Coated - HDG

Advantages

- Part of the Hilti MT system – an economical, all-in-one solution for virtually all modular MEP support structures
- No drilling or hot works – fasten modular girders to structural steel without anchoring or welding
- Extensive software support – PROFIS Modular Support Engineering, the MEP Support Selector, Revit® families, and plug-ins for Staad Pro® and Smart 3D® are all available to streamline design and ordering

MT-BC-GS T OC Beam Clamp - Outdoor

Order Designation	Weight	Technical data	Sales pack quantity	Item number	
MT-BC-GS T OC	1275 g	Outdoor, low to moderate pollution (C3 / C4 - low)	12 pc	2273587	

MT-BC-GXL T OC Beam Clamp - Outdoor

Order Designation	Weight	Technical data	Sales pack quantity	Item number	
MT-BC-GXL T OC	2116 g	Outdoor, low to moderate pollution (C3 / C4 - low)	10 pc	2273589	

MT Closed Profiles Base Material Connectors

Beam Clamp Connections To Steel - Outdoor

Technical data Beam Clamp

Item image	Load drawing	Order Designation	+ Fz	- Fz	± Fx	± Fy
		MT-BC-GS T	15,0 kN	15,0 kN	3,6 kN	2,5 kN
		MT-BC-GXL T	30,0 kN	30,0 kN	5,0 kN	6,0 kN

Design note

- Shown load values are recommended values with partial safety factors for actions and resistance included
- Design value = 1.5 * recommended value
- The design resistance of the products is defined in accordance with EN1993
- Load values are only valid per pair.

Operation Instruction

MT-BC-GS T OC / MT-BC-GXL T OC

2298185-09.2020

MT-70	MT-BC-GS T
MT-80	
MT-90	MT-BC-GXL T
MT-100	

1

2

3

4

MT-BC-GS T	MT-70	40Nm (30 ft-lb)
	MT-80	40Nm (30 ft-lb)
MT-BC-GXL T	MT-90	100Nm (73 ft-lb)
	MT-100	120Nm (82 ft-lb)

The latest IFU (Instruction For Use) is available on Hilti Online. Please check for any revisions before installing the product.

MT Profile End Caps

Open C-channels (Struts)



Applications

- Protecting strut channel edges from damage during storage and transport
- Covering any sharp edges left after cutting to size

Technical data

Material composition	PPB-M02
Surface finish	n/a

Advantages

- Part of the Hilti MT system – an economical, all-in-one solution for virtually all modular MEP support structures
- Safer handling – protects installers from sharp edges which may be left after cutting the strut channel
- Improved durability – helps to prevent deformed edges during storage and transport around the construction site

MT-EC-20 Channel End Cap

Order Designation	Weight	Sales pack quantity	Item number	
MT-EC-20	3 g	50 pc	2282197	

MT-EC-30 Channel End Cap

Order Designation	Weight	Sales pack quantity	Item number	
MT-EC-30	4 g	50 pc	2273642	

MT Profile End Caps

Open C-channels (Struts)

MT-EC-40/50 Channel End Cap

Order Designation	Weight	Sales pack quantity	Item number	
MT-EC-40/50	6 g	50 pc	2273643	

MT-EC-60 Channel End Cap

Order Designation	Weight	Sales pack quantity	Item number	
MT-EC-60	9 g	50 pc	2273644	

MT Profile End Caps

Closed Profiles



Applications

- Protecting MT-Closed profile edges from damage during storage and transport
- Covering any sharp edges left after cutting to size

Advantages

- Part of the Hilti MT system – an economical, all-in-one solution for virtually all modular MEP support structures
- Safer handling – protects installers from sharp edges which may be left after cutting the strut channel
- Improved durability – helps to prevent deformed edges during storage and transport around the construction site

Technical data

Material composition	PPB-M02
Surface finish	n/a

MT-EC-70 Closed Profile End Cap

Order Designation	Weight	Sales pack quantity	Item number	
MT-EC-70	8 g	50 pc	2273697	

MT-EC-80 Closed Profile End Cap

Order Designation	Weight	Sales pack quantity	Item number	
MT-EC-80	17 g	25 pc	2273698	

MT Profile End Caps

Closed Profiles

7

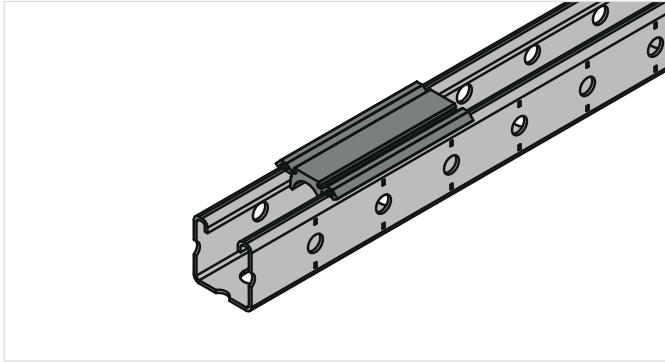
MT-EC-90 Closed Profile End Cap

Order designation	Weight	Sales pack Quantity	Item number	
MT-EC-90	31 g	25 pc	2273699	

MT-EC-100 Closed Profile End Cap

Order designation	Weight	Sales pack Quantity	Item number	
MT-EC-100	45 g	25 pc	2273700	

MT Profile Rubber Inlays Open C-channels (Struts)



7

Applications

- Acoustic insulation of heating, ventilation, and air conditioning installations, such as rectangular air ducts

Technical data

Material composition	EPDM
Surface finish	n/a

Advantages

- Improve acoustic insulation of HVAC installations – these inlays can deliver a significant noise reduction
- Easy to install – simply click into MT strut channels, no additional fasteners required. Can also be installed from the back of the open channels

MT-RI Rubber Inlay

Order Designation	Weight	Sales pack quantity	Item number	
MT-RI 20 m	6924 g	1 pc	2337452	
MT-RI 10 cm	35 g	100 pc	2337453	
MT-RI 2 cm	7 g	100 pc	2337454	

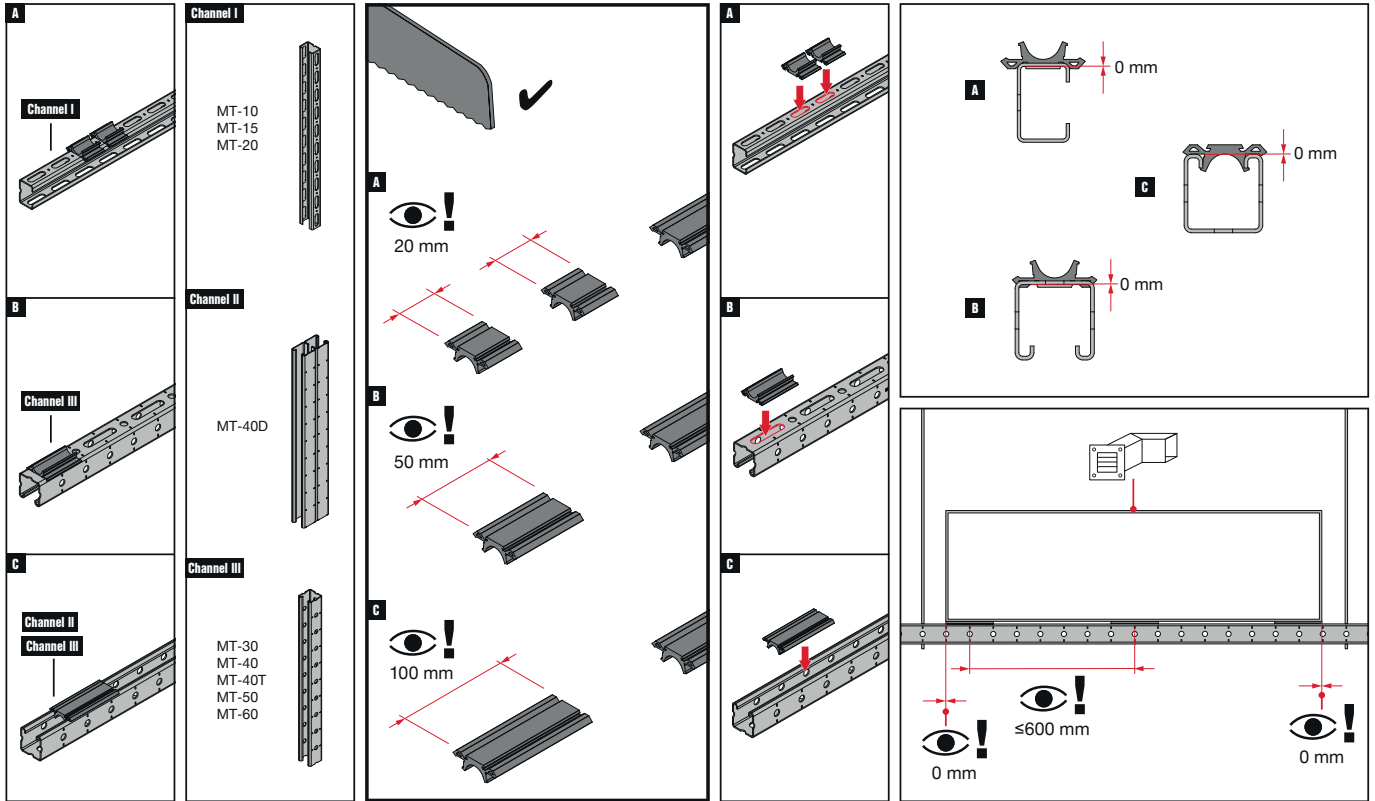
MT Profile Rubber Inlays

Open C-channels (Struts)

7

Operation Instruction
MT-RI

2348181-12.2021



The latest IFU (Instruction For Use) is available on Hilti Online. Please check for any revisions before installing the product.

MT-C-T 3D/2/HL OC Connector - Outdoor

3D connector for assembling rigid strut channel structures for outdoor use with low pollution



Applications

- Installing ventilation equipment, ducts, pipework and cable trays on flat roofs
- Suitable for use in outdoor environments

Advantages

- Part of the Hilti MT system – an economical, all-in-one solution for virtually all modular MEP support structures
- Easy to install – compatible with the Hilti MT Twist-Lock and hexagon bolts
- Provides rigidity to free standing structures
- Allows bracing to be removed

Technical data

Material composition	S235JR
Surface finish	Outdoor Coated - HDG

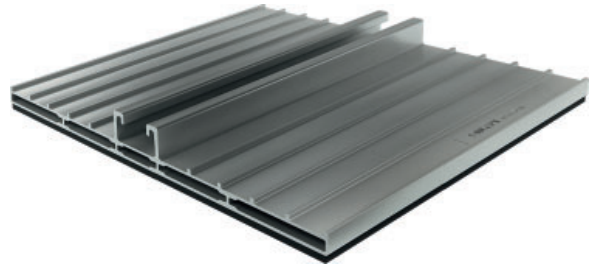
MT-C-T 3D/2/HL Connector - Outdoor

Order Designation	Technical data	Sales pack quantity	Item number	
MT-C-T 3D/2/HL OC	Outdoor, low to moderate pollution (C3 / C4 - low)	8 pc	2320181	

MT-B-LDP ME Load distribution plate

Medium load distribution plate for installing ventilation ducts and ventilation equipment on flat roofs

8



Applications

- Installing ventilation equipment, ducts, pipework, cable trays on flat roofs
- Suitable for use in outdoor environments

Technical data

Material composition	Aluminium, EPDM rubber
Surface finish	n/a

Advantages

- Part of the Hilti MT system – an economical, all-in-one solution for rooftop ventilation and other modular support systems
- Easier to handle and transport compared to pre-fabricated welded steel
- Includes a non-slip anti-vibration mat
- Suitable for outdoor applications, with features such as aluminum feet for better weather resistance

MT-B-LDP ME Load distribution plate

Order Designation	Technical data	Sales pack quantity	Item number	
MT-B-LDP ME	Outdoor, low to moderate pollution (C3 / C4 - low)	1 pc	2328319	

MT-B-LDP S Load distribution plate

Small load distribution plate for installing ventilation ducts, pipework or cable trays on flat roofs



Applications

- Installing ventilation ducts, pipework and cable trays on flat roofs
- Suitable for use in outdoor environments

Technical data

Material composition	Aluminium, EPDM rubber
Surface finish	n/a

Advantages

- Part of the Hilti MT system – an economical, all-in-one solution for rooftop ventilation and other modular support systems
- Easier to handle and transport compared to pre-fabricated welded steel
- Includes a non-slip anti-vibration mat
- Suitable for outdoor applications, with features such as aluminum feet for better weather resistance

MT-B-LDP S Load distribution plate

Order Designation	Technical data	Sales pack quantity	Item number	
MT-B-LDP S	Outdoor, low to moderate pollution (C3 / C4 - low)	2 pc	2320182	

MT-C-LDP L1 OC Angle Connector - Outdoor

Angle connector for assembling strut channels structure or channel with Load Distribution Plate, for outdoor use with low pollution

8



Applications

- Fastening connections between two strut channels or one channel and Load Distribution Plate
- Perfectly suitable for outdoor applications

Advantages

- Part of the Hilti MT system – an economical, all-in-one solution for virtually all modular MEP support structures
- Vertical channel can be inclined up to 7-degrees for compensation of roof pitch
- Connector with channel can be inclined up to 10-degrees for compensation of roof pitch

Technical data

Material composition	Q235 or better steel
Surface finish	Outdoor Coated - HDG

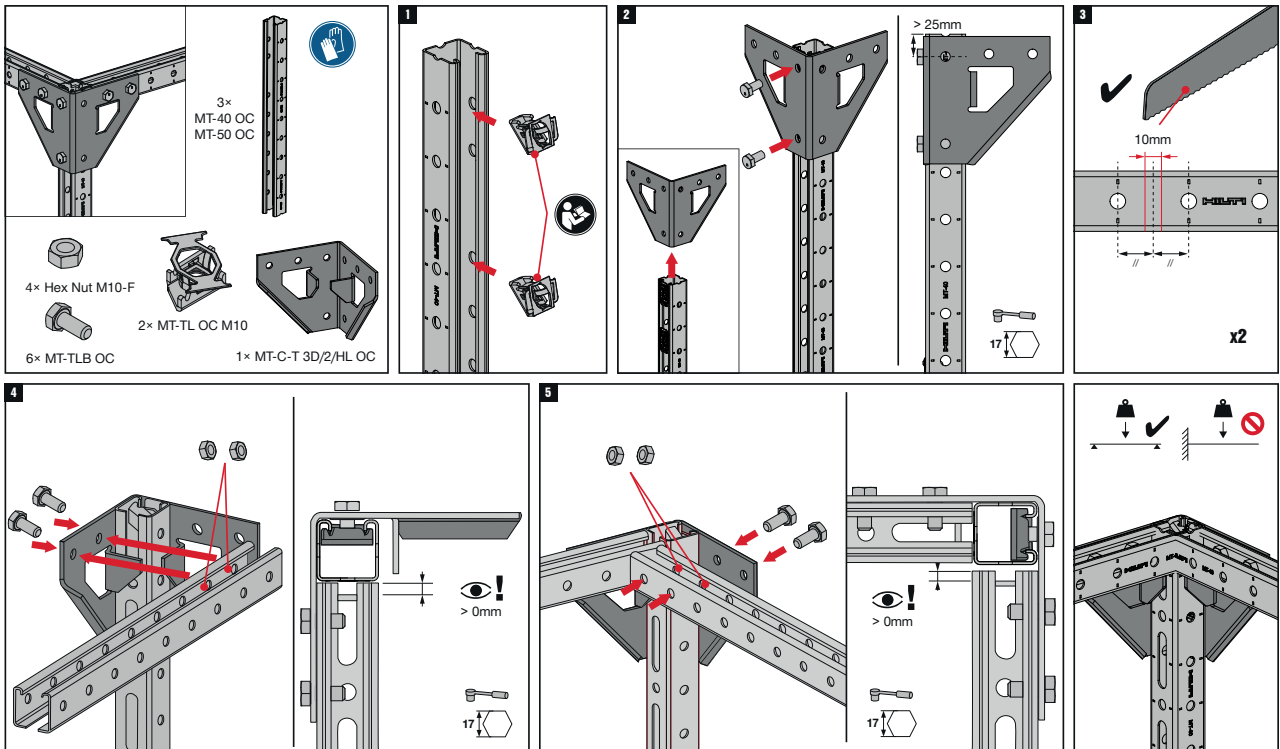
MT-C-LDP L1 OC Angle Connector - Outdoor

Order Designation	Technical data	Sales pack quantity	Item number	
MT-C-LDP L1 OC	Outdoor, low to moderate pollution (C3 / C4 - low)	8 pc	2320180	

MT-C-T 3D/2/HL OC Connector - Outdoor

Operation instruction MT-C-T 3D/2/HL OC

2321403-03.2021

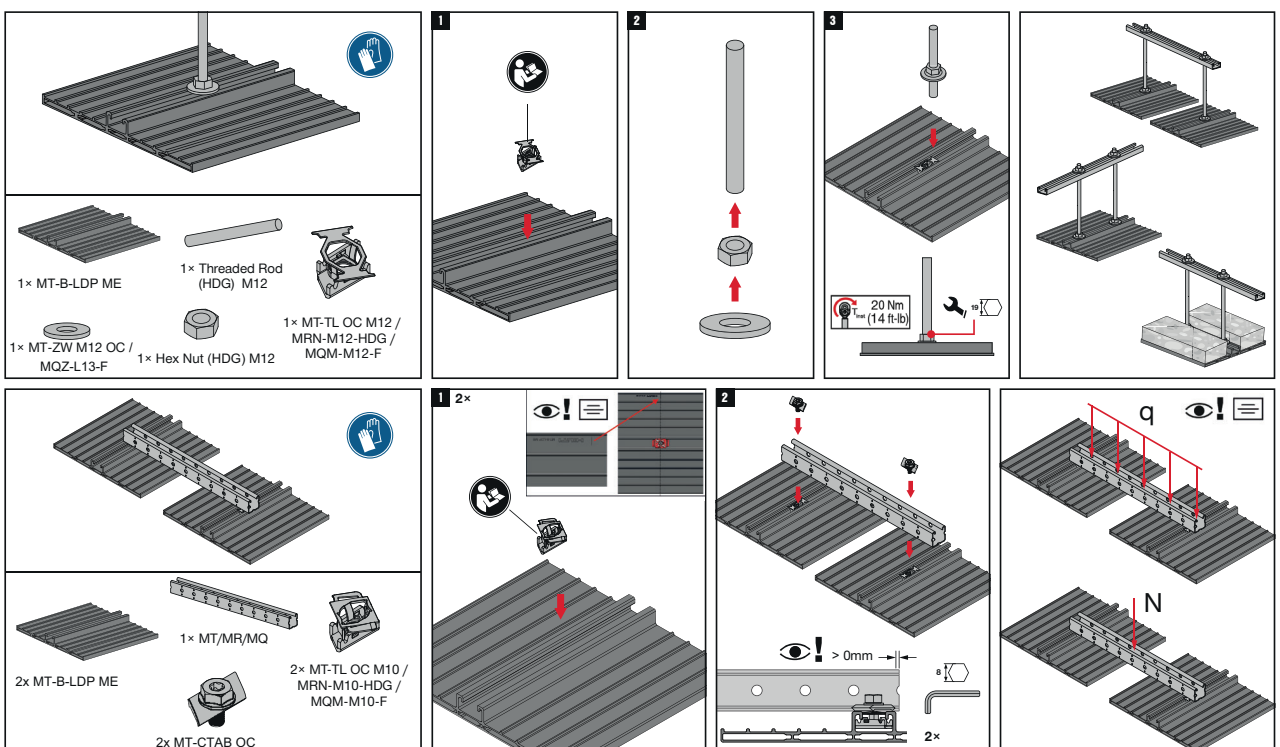


The latest IFU (Instruction For Use) is available on Hilti Online. Please check for any revisions before installing the product.

MT-B-LDP ME Load distribution plate

Operation instruction MT-B-LDP ME

2330200-06.2021

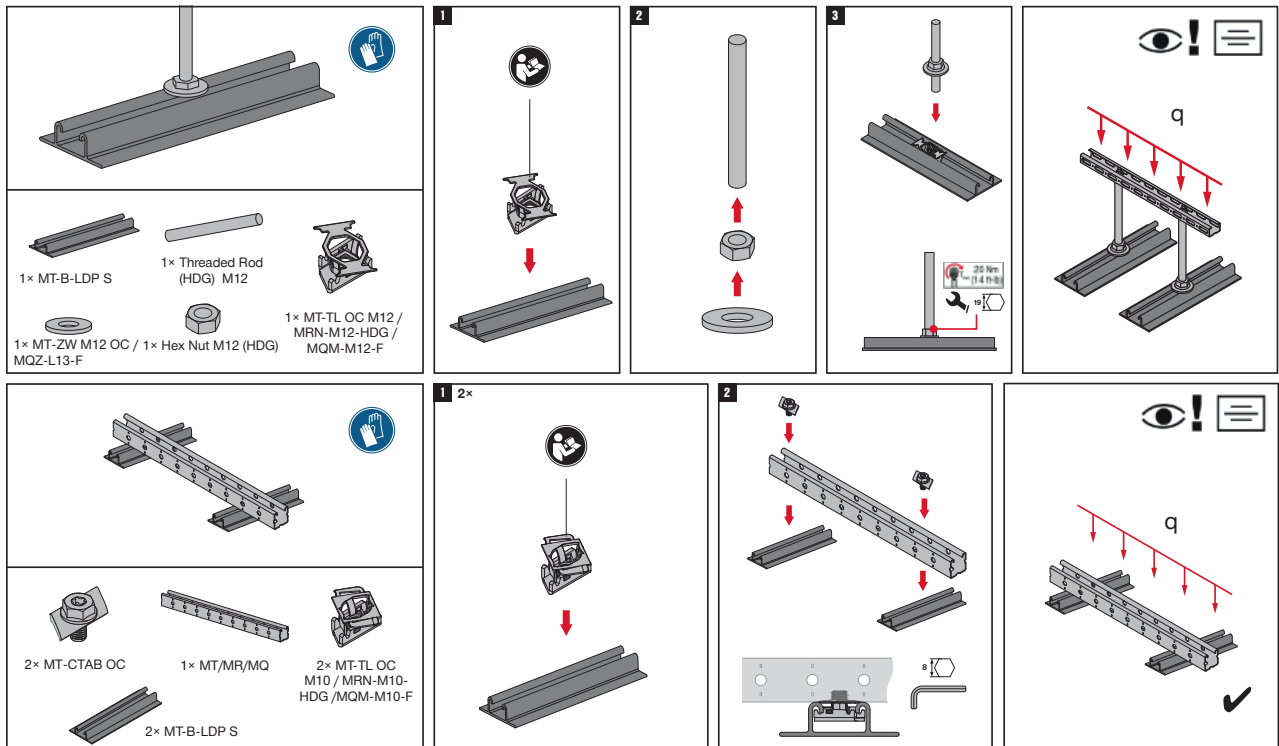


The latest IFU (Instruction For Use) is available on Hilti Online. Please check for any revisions before installing the product.

MT-B-LDP S Load distribution plate

Operation instruction MT-B-LDP S

2321404-06.2021

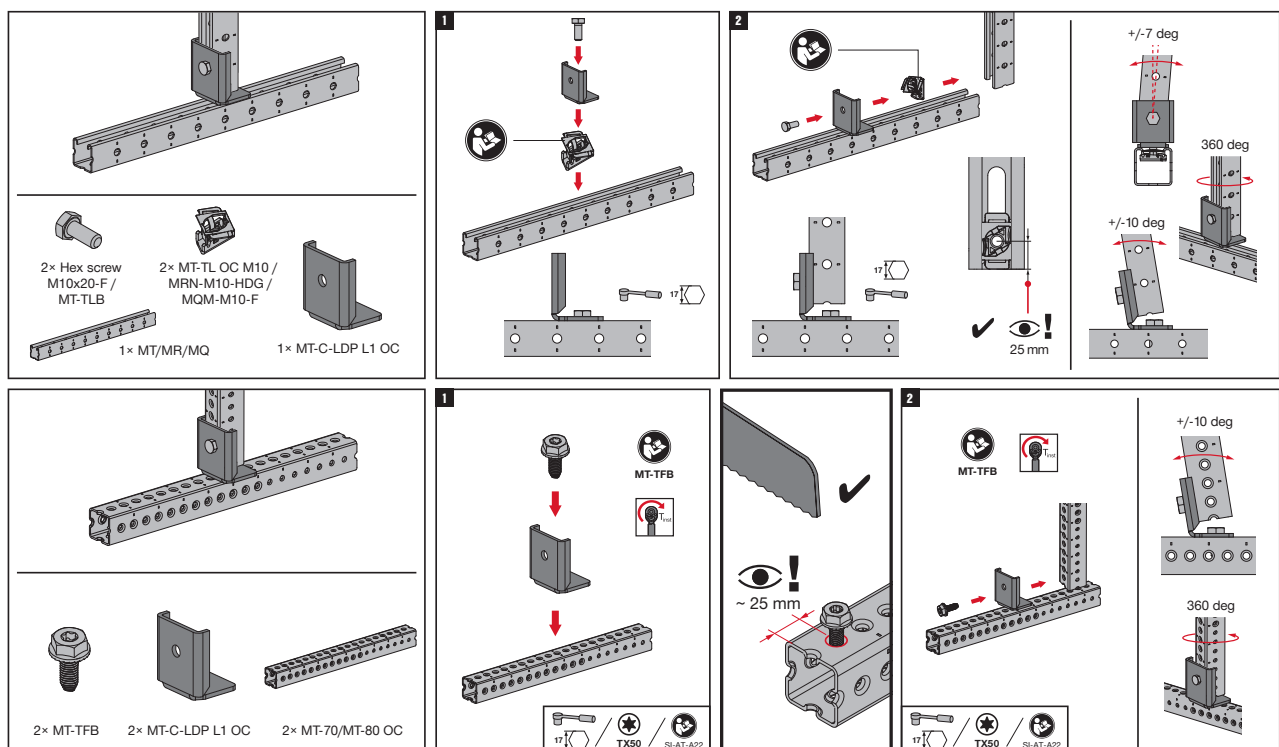


The latest IFU (Instruction For Use) is available on Hilti Online. Please check for any revisions before installing the product.

MT-C-LDP L1 OC Angle Connector - Outdoor

Operation instruction MT-C-LDP L1 OC

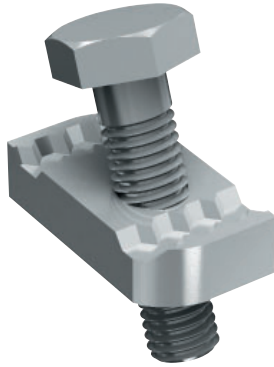
2321402-02.2021



The latest IFU (Instruction For Use) is available on Hilti Online. Please check for any revisions before installing the product.

MT-S-RS Rod stiffener

Pre-assembled connector for fastening strut channel around threaded rod to provide seismic bracing



Applications

- Fixing threaded rod lengthwise within MT strut channels
- Increasing the compressive strength of threaded rod for use as seismic bracing in MEP support structures
- Suitable for use in dry, indoor environments

Advantages

- Part of the Hilti MT system – an economical, all-in-one solution for virtually all modular MEP support structures
- Increasing the compressive strength of threaded rod for use as seismic bracing in MEP support structures
- Adaptable – unlike welding, modular rod stiffeners allow you to modify strut channel framing for future MEP requirements

Technical data

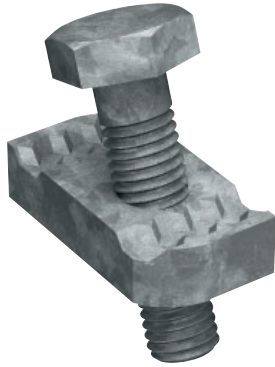
Material composition	Q235 or better steel
Surface finish	Pre-galvanized - for dry indoor use only

MT-S-RS Rod stiffener

Order Designation	Technical data	Sales pack quantity	Item number	
MT-S-RS	Dry indoor conditions (C1) Indoor with temporary condensation (C2)	25 pc	2282198	

MT-S-RS OC Rod stiffener - Outdoor

Pre-assembled connector for fastening strut channel around threaded rod to provide seismic bracing



9

Applications

- Fixing threaded rod lengthwise within MT strut channels
- Increasing the compressive strength of threaded rod for use as seismic bracing in MEP support structures
- Suitable for use in moderately corrosive environments

Advantages

- Part of the Hilti MT system – an economical, all-in-one solution for virtually all modular MEP support structures
- Increasing the compressive strength of threaded rod for use as seismic bracing in MEP support structures
- Adaptable – unlike welding, modular rod stiffeners allow you to modify strut channel framing for future MEP requirements

Technical data

Material composition	Q235 or better steel
Surface finish	Hot-dip galvanized - for outdoor use

MT-S-RS Rod stiffener

Order Designation	Technical data	Sales pack quantity	Item number	
MT-S-RS OC	Outdoor, low to moderate pollution (C3 / C4 - low)	25 pc	2273584	

MT-S-H1 Seismic Brace Base

One-hole hinged connector for assembling seismic bracing of MT strut channel framing



Applications

- Seismic bracing of strut channel framing
- Anchoring strut channel brace members to concrete for use as seismic bracing
- Connecting strut channel brace members to MT-S-L seismic angle brackets for use as seismic bracing
- Suitable for use in dry, indoor environments

Advantages

- Part of the Hilti MT system – an economical, all-in-one solution for virtually all modular MEP support structures
- Easy to install – pivoting joint simplifies assembly and fastening
- Engineering and calculation service available – your local Hilti Engineers can provide advice and calculation services on more complex projects

Technical data

Material composition	Q355 or better steel
Surface finish	Pre-galvanized - for dry indoor use only

MT-S-H1 Seismic Brace Base

Order Designation	Technical data	Sales pack quantity	Item number	
MT-S-H1 M10	Dry indoor conditions (C1) Indoor with temporary condensation (C2)	10 pc	2273645	
MT-S-H1 M12		10 pc	2273646	

MT-S-H1 OC Seismic Brace Base - Outdoor

One-hole hinged connector for assembling seismic bracing of MT strut channel framing



9

Applications

- Seismic bracing of strut channel framing
- Anchoring strut channel brace members to concrete for use as seismic bracing
- Connecting strut channel brace members to MT-S-L seismic angle brackets for use as seismic bracing
- Suitable for use in moderately corrosive environments

Advantages

- Part of the Hilti MT system – an economical, all-in-one solution for virtually all modular MEP support structures
- Easy to install – pivoting joint simplifies assembly and fastening
- Engineering and calculation service available – your local Hilti Engineers can provide advice and calculation services on more complex projects
- Corrosion resistant – hot-dip galvanized to help protect against moisture and chemical corrosion

Technical data

Material composition	Q355 or better steel
Surface finish	Hot-dip galvanized - for outdoor use

MT-S-H1 OC Seismic Brace Base - Outdoor

Order Designation	Technical data	Sales pack quantity	Item number	
MT-S-H1 M10 OC	Outdoor, low to moderate pollution (C3 / C4 - low)	10 pc	2282199	
MT-S-H1 M12 OC		10 pc	2282200	

MT-S-H2 Seismic Brace Base

Two-hole hinged connector for assembling seismic bracing of MT strut channel framing



Applications

- Seismic bracing of strut channel framing
- Anchoring strut channel brace members to concrete for use as seismic bracing
- Connecting strut channel brace members to MT-S-L seismic angle brackets for use as seismic bracing
- Suitable for use in dry, indoor environments

Advantages

- Part of the Hilti MT system – an economical, all-in-one solution for virtually all modular MEP support structures
- Easy to install – pivoting joint simplifies assembly and fastening
- Engineering and calculation service available – your local Hilti Engineers can provide advice and calculation services on more complex projects

Technical data

Material composition	Q355 or better steel
Surface finish	Pre-galvanized - for dry indoor use only

MT-S-H2 Seismic Brace Base

Order Designation	Technical data	Sales pack quantity	Item number	
MT-S-H2 M10	Dry indoor conditions (C1) Indoor with temporary condensation (C2)	10 pc	2273647	
MT-S-H2 M12		10 pc	2273648	

MT-S-H2 OC Seismic Brace Base - Outdoor

Two-hole hinged connector for assembling seismic bracing of MT strut channel framing



9

Applications

- Seismic bracing of strut channel framing
- Anchoring strut channel brace members to concrete for use as seismic bracing
- Connecting strut channel brace members to MT-S-L seismic angle brackets for use as seismic bracing
- Suitable for use in moderately corrosive environments

Advantages

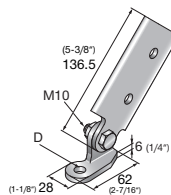
- Part of the Hilti MT system – an economical, all-in-one solution for virtually all modular MEP support structures
- Easy to install – pivoting joint simplifies assembly and fastening
- Engineering and calculation service available – your local Hilti Engineers can provide advice and calculation services on more complex projects
- Corrosion resistant – hot-dip galvanized to help protect against moisture and chemical corrosion

Technical data

Material composition	Q355 or better steel
Surface finish	Hot-dip galvanized - for outdoor use

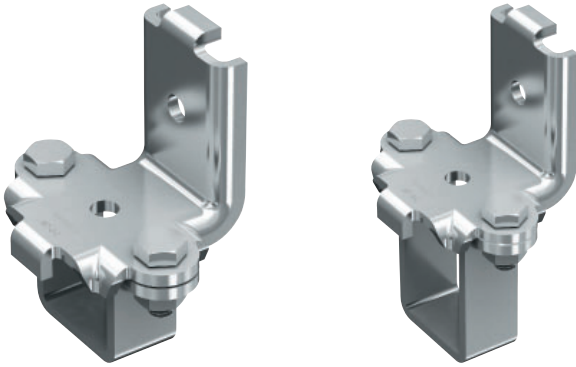
MT-S-H2 OC Seismic Brace Base - Outdoor

Order Designation	Technical data	Sales pack quantity	Item number
MT-S-H2 M10 OC	Outdoor, low to moderate pollution (C3 / C4 - low)	10 pc	2282201
MT-S-H2 M12 OC		10 pc	2282202



MT-S-L Seismic angle bracket

Angle bracket for assembling braced MT strut channel structures in seismic zones



Applications

- Right-angle connections between MT-40, MT-60 strut channels & MT-40D double strut channels with connection to seismic bracing
- Assembling metal framing for MEP support structures in seismic zones
- Suitable for use in dry, indoor environments

Advantages

- Part of the Hilti MT system – an economical, all-in-one solution for virtually all modular MEP support structures
- Easy to install – compatible with the Hilti MT Twist-Lock, a faster alternative to spring nuts for assembling a modular support system
- Winged angle connector – includes connection points to MT-S-H1 and MT-S-H2
- Adaptable – unlike welding, seismic brackets allow you to modify strut channel framing for future MEP requirements

Technical data

Material composition	Q235 or better steel
Surface finish	Pre-galvanized - for dry indoor use only

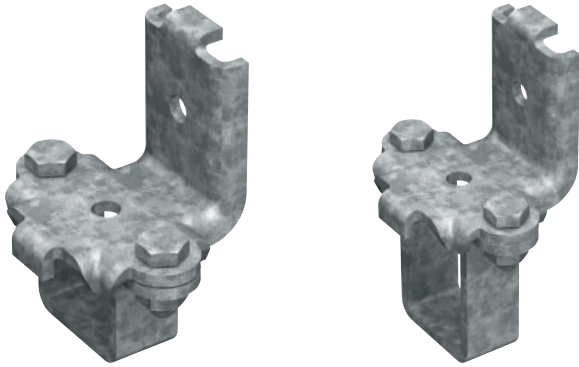
MT-S-L Seismic angle bracket

Order Designation	Technical data	Sales pack quantity	Item number	
MT-S-L 40-50	Dry indoor conditions (C1) Indoor with temporary condensation (C2)	10 pc	2273649	
MT-S-L 60		10 pc	2273650	
MT-S-L 40D		10 pc	2273651	

MT-S-L OC Seismic angle bracket - Outdoor

Angle bracket for assembling braced MT strut channel structures in seismic zones

9



Applications

- Right-angle connections between MT-40, MT-60 strut channels & MT-40D double strut channels with connection to seismic bracing
- Assembling metal framing for MEP support structures in seismic zones
- Suitable for use in moderately corrosive environments

Advantages

- Part of the Hilti MT system – an economical, all-in-one solution for virtually all modular MEP support structures
- Easy to install – compatible with the Hilti MT Twist-Lock, a faster alternative to spring nuts for assembling a modular support system
- Adaptable – unlike welding, seismic brackets allow you to modify strut channel framing for future MEP requirements
- Engineering and calculation service available – your local Hilti Engineers can provide advice and calculation services on more complex projects

Technical data

Material composition	Q235 or better steel
Surface finish	Hot-dip galvanized - for outdoor use

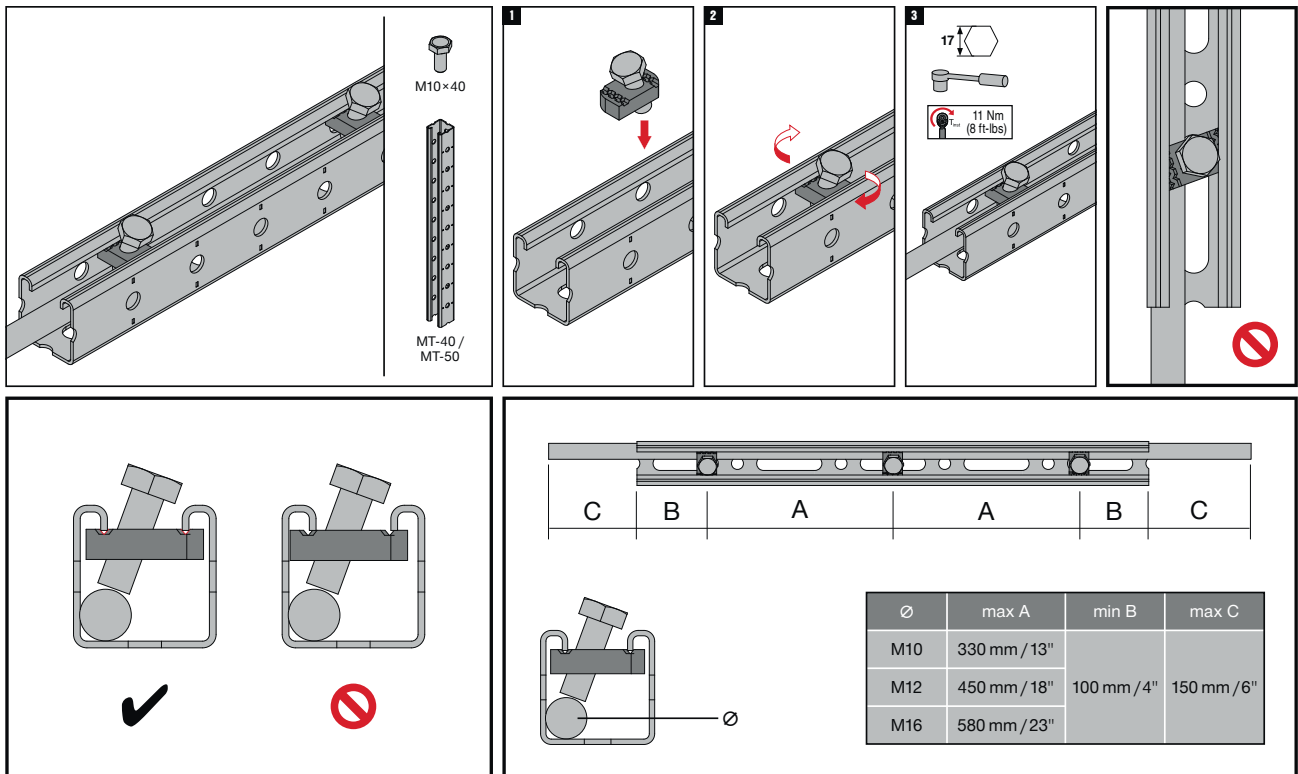
MT-S-L OC Seismic angle bracket - Outdoor

Order Designation	Technical data	Sales pack quantity	Item number	
MT-S-L 40-50 OC	Outdoor, low to moderate pollution (C3 / C4 - low)	10 pc	2282203	
MT-S-L 60 OC		10 pc	2282204	
MT-S-L 40D OC		10 pc	2282205	

MT-S-RS Rod stiffener

Operation instruction MT-S-RS / MT-S-RS OC

2294624-08.2020

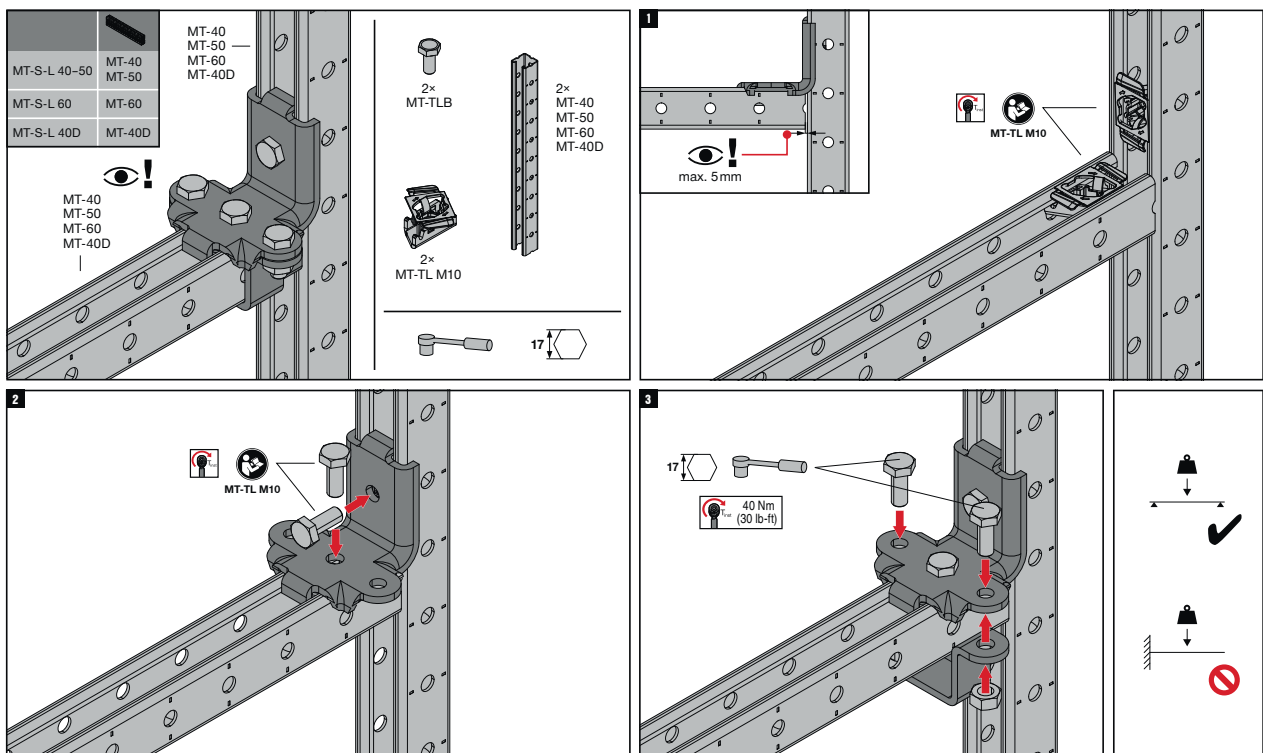


The latest IFU (Instruction For Use) is available on Hilti Online. Please check for any revisions before installing the product.

MT-S-L Seismic angle bracket

Operation instruction MT-S-L 40-50 / MT-S-L 60 / MT-S-L 40D MT-S-L 40-50 OC / MT-S-L 60 OC / MT-S-L 40D OC

2294626-09.2020



The latest IFU (Instruction For Use) is available on Hilti Online. Please check for any revisions before installing the product.

MT-S-H1 Seismic Brace Base

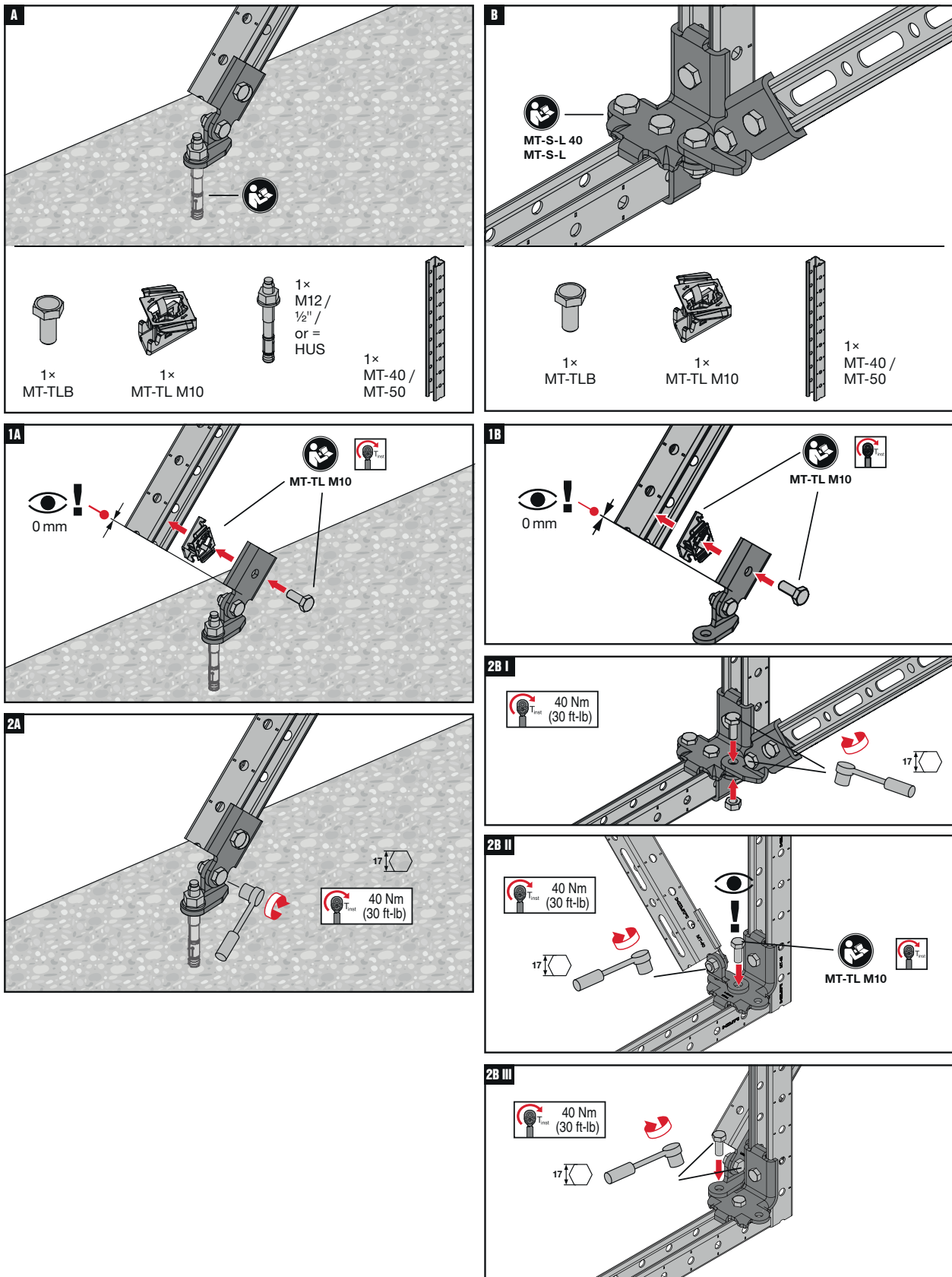
Operation instruction

MT-S-H1 M10/ MT-S-H1 M12

MT-S-H1 M10 OC/ MT-S-H1 M12 OC

1

2294625-03.2022



The latest IFU (Instruction For Use) is available on Hilti Online. Please check for any revisions before installing the product.

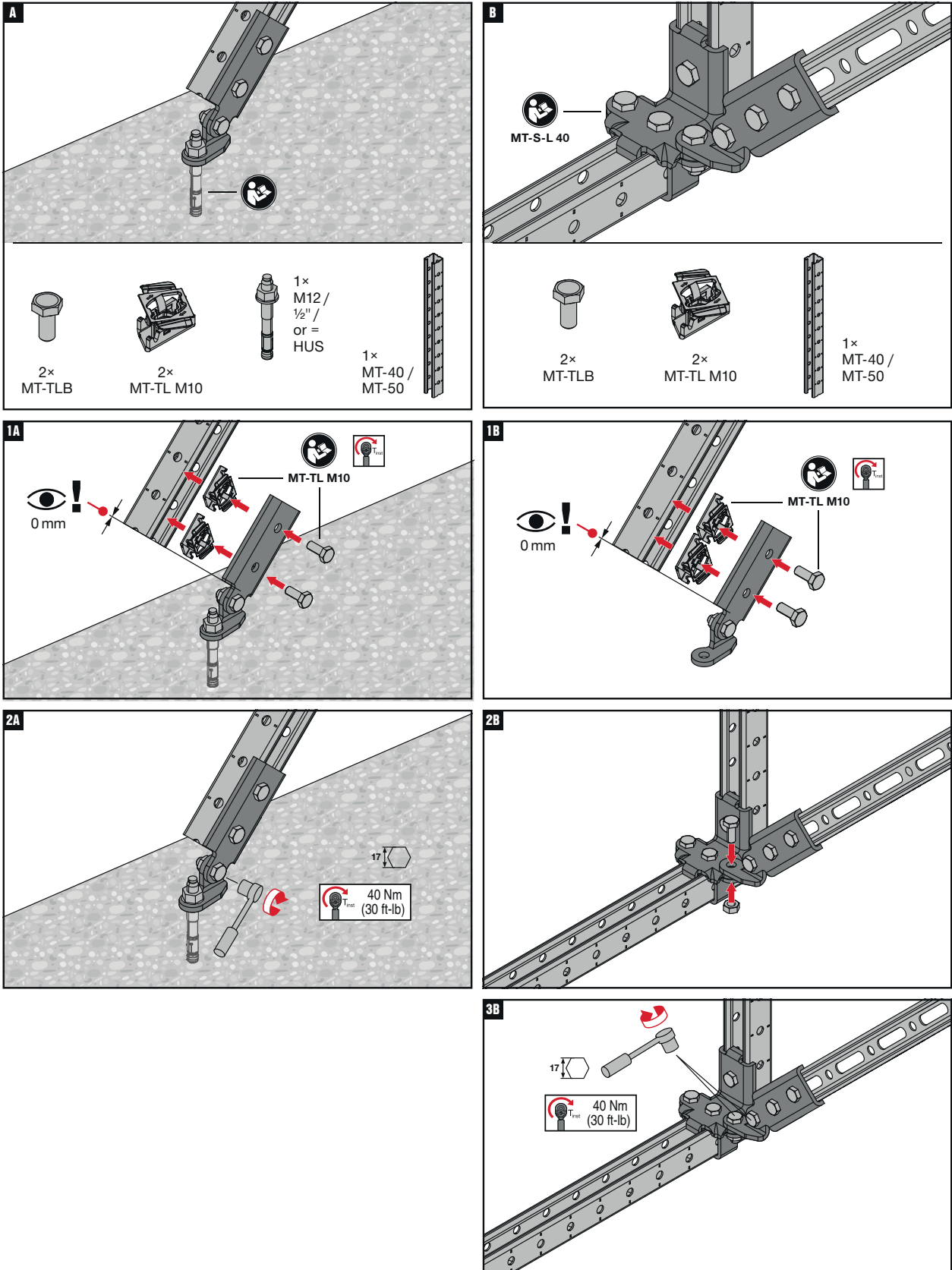
MT-S-H2 Seismic Brace Base

Operation instruction

MT-S-H2 M10/ MT-S-H2 M12

MT-S-H2 M10 OC/ MT-S-H2 M12 OC

2300064-10.2020

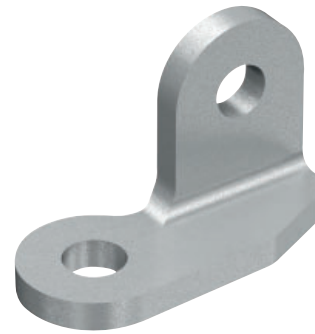
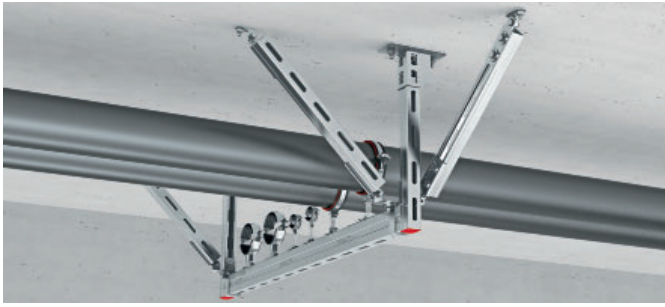


The latest IFU (Instruction For Use) is available on Hilti Online. Please check for any revisions before installing the product.

MT-S-A Seismic hinge

Galvanized seismic hinge for use as a bracing component

9



Applications

- Installing pipes, cable trays and air duct supports in seismic-relevant areas

Advantages

- High load capacity – engineered for optimal transfer of seismic loads
- Easily combinable with other Hilti seismic components

Technical data

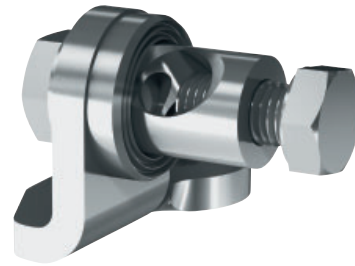
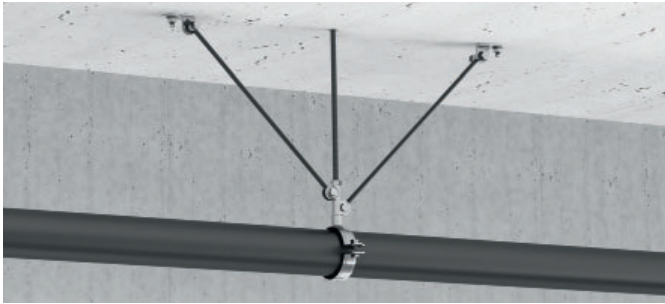
Material composition	S355 MC - DIN EN 10149-2
Surface finish	Indoor Coated - Electro galvanized

MT-S-A Seismic hinge

Order Designation	Technical data	Sales pack quantity	Item number	
MT-S-A-8	Dry indoor conditions (C1) Indoor with temporary condensation (C2)	10 pc	2083721	
MT-S-A-10		10 pc	2083722	
MT-S-A-12		10 pc	2083723	
MT-S-A-16		10 pc	2083724	

MT-S-AP Seismic rod hinge

Galvanized threaded rod hinge for seismic bracing of MEP support structures



Applications

- Installing pipes, cable trays and air duct supports in seismic-relevant areas
- Fastening threaded rod seismic bracing to concrete or connecting to MQS-W seismic angles
- Recommended for use in dry, interior environments

Technical data

Material composition	Baseplate: S355MC - DIN EN 10149-2, Pin: 11SMn30+C - DIN EN 10277-3, Threaded washer: 11SMn30+C - DIN EN 10277-3, Hexagon screws: Steel grade 8.8, Washer: Galvanized steel
Surface finish	Indoor Coated - Electro galvanized

Advantages

- Rapid installation – helps to save time on-site thanks to single-anchor fastening: all you need is the single pre-assembled screw and no additional nuts
- High load capacity – designed for optimal seismic load transfer to the support
- Versatile – load range suitable for a wide range of light- and medium-duty MEP installations
- Engineering support available – contact your local Hilti team for project-specific advice
- Bracing pre-assembly possible – providing additional productivity in seismic support installation

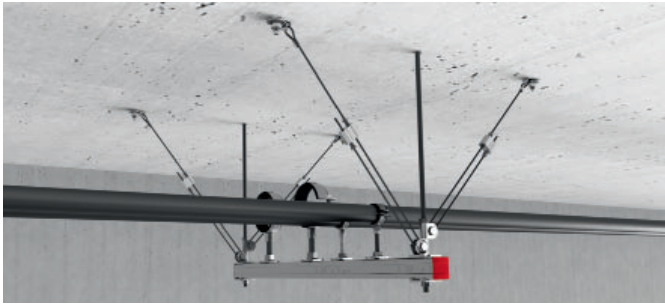
MT-S-AP Seismic rod hinge

Order Designation	Technical data	Sales pack quantity	Item number	
MT-S-AP-8	Dry indoor conditions (C1) Indoor with temporary condensation (C2)	10 pc	2330874	
MT-S-AP-10		10 pc	2330875	
MT-S-AP-12		10 pc	2330876	

MT-S-HR Seismic hinge

Galvanized seismic hinge for use as a bracing component

9



Applications

- Installing pipes, cable trays and air duct supports in seismic-relevant areas
- Connecting threaded rod and wire seismic bracing to MEP support structures, such as trapeze and suspended pipe rings
- Recommended for use in dry, interior environments

Advantages

- Retrofittable and adjustable – two-component design can more easily be post-installed to existing pipe/cable supports, with angle markings to make it easier to fix the rod at 45°
- Versatile – load range suitable for a wide range of light- and medium-duty MEP installations
- Engineering support available – contact your local Hilti team for project-specific advice

Technical data

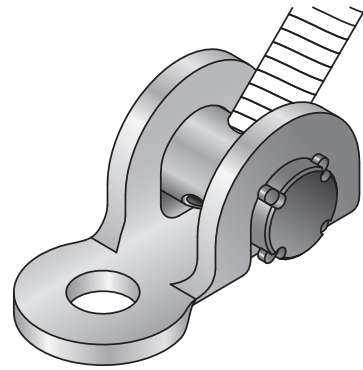
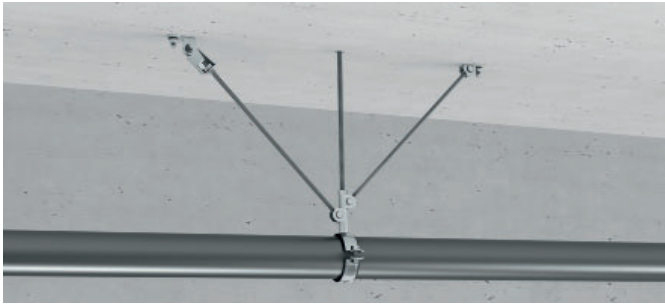
Material composition	Connector: S275JR - EN 10025-2, Pin: 11SMnPb37+C - DIN EN 10277-3
Surface finish	Indoor Coated - Electro galvanized

MT-S-HR Seismic hinge

Order Designation	Technical data	Sales pack quantity	Item number	
MT-S-HR-8	Dry indoor conditions (C1) Indoor with temporary condensation (C2)	10 pc	2330877	
MT-S-HR-10		10 pc	2330878	

MT-S-CH Seismic rod hinge

Galvanized pre-assembled threaded rod brace connector with increased load capacity for mounting to base material



Applications

- Installing pipes, cable trays and air duct supports in seismic-relevant areas
- Assembling seismic bracing using threaded rods in a wide range of seismic applications

Advantages

- Easier and quicker to mount to M10 threaded rod
- Maximum installation flexibility due to adjustable angle
- Higher load capacity – engineered for optimal transfer of seismic loads

Technical data

Material composition	Connector: S275JR - DIN EN 10025, Pin: 11SMnPb37+C
Surface finish	Indoor Coated - Electro galvanized

MT-S-CH Seismic rod hinge

Order Designation	Technical data	Sales pack quantity	Item number	
MT-S-CH-10	Dry indoor conditions (C1) Indoor with temporary condensation (C2)	10 pc	2083741	

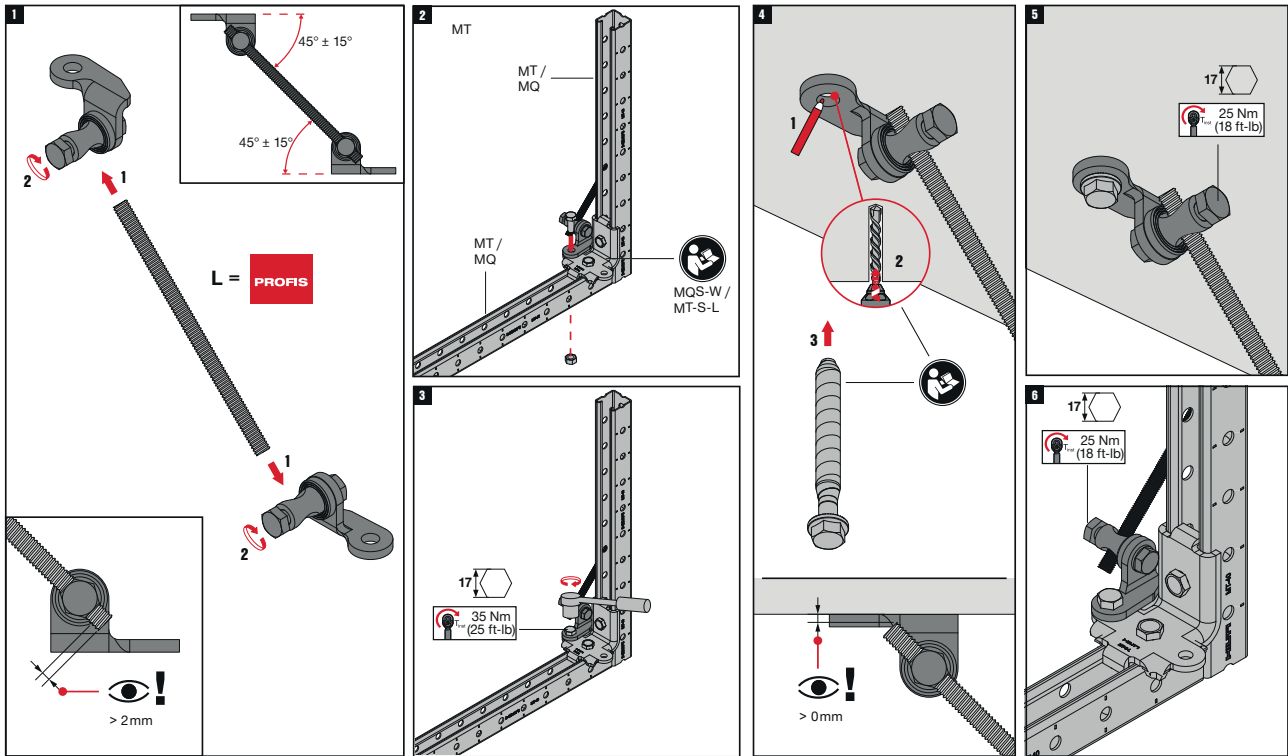
MT-S-AP Seismic rod hinge

9

Operation instruction

MT-S-AP-8 / MT-S-AP-10 / MT-S-AP-12

2332868-02.2022

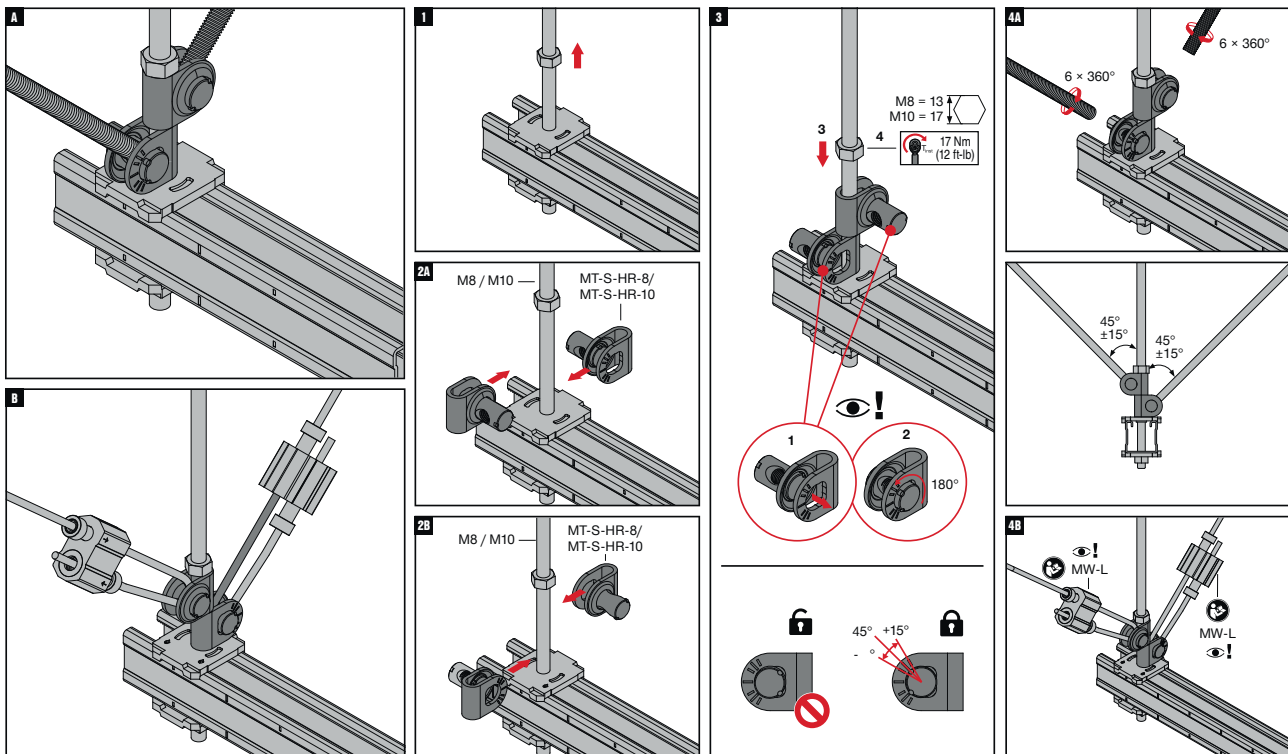


The latest IFU (Instruction For Use) is available on Hilti Online. Please check for any revisions before installing the product.

MT-S-HR Seismic hinge

Operation instruction

MT-S-HR-8 / MT-S-HR-10

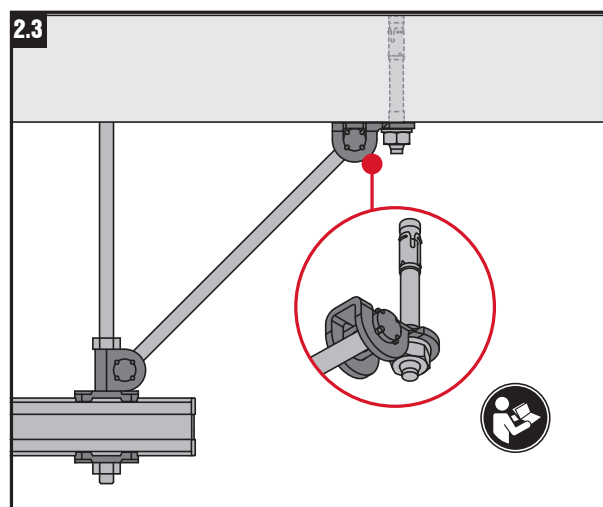
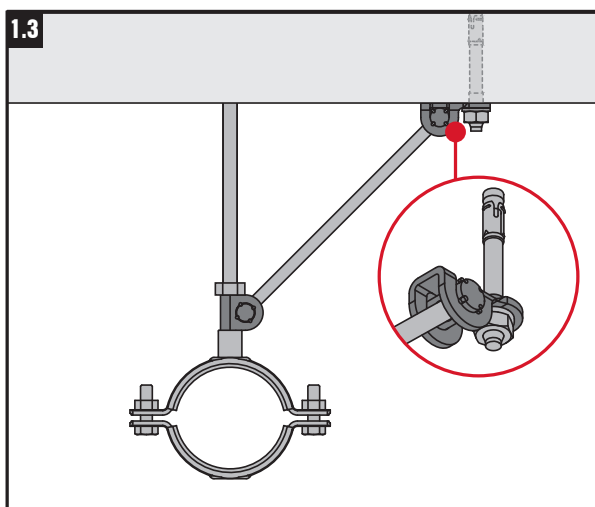
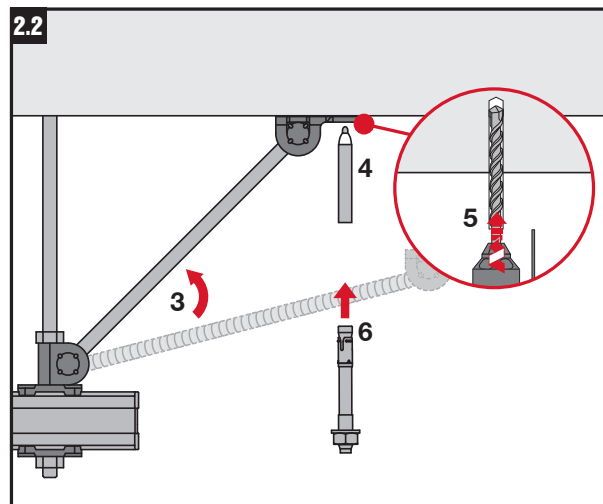
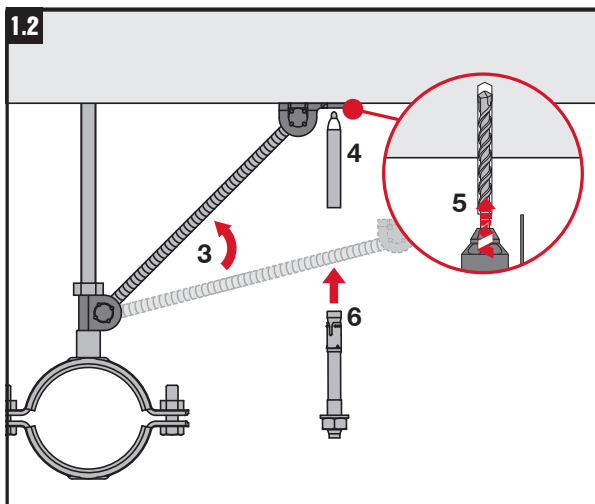
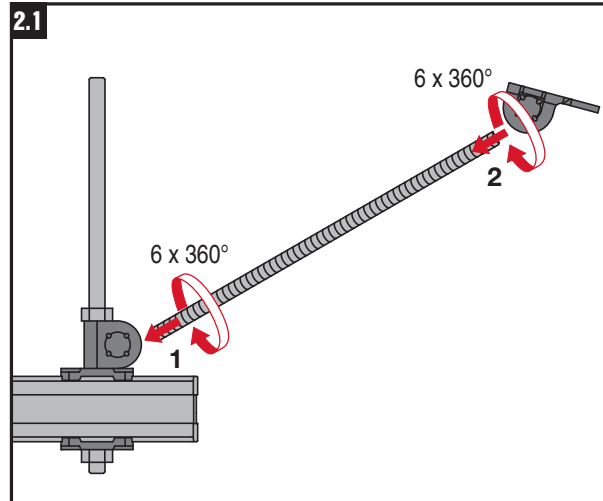
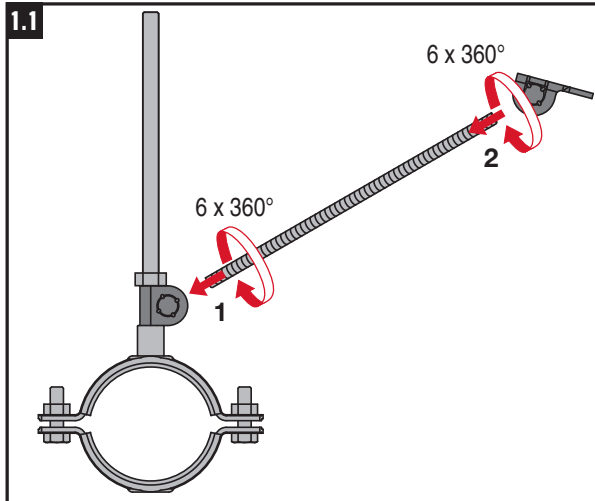


The latest IFU (Instruction For Use) is available on Hilti Online. Please check for any revisions before installing the product.



/ MT-S-CH

2087666-12.2021



The latest IFU (Instruction For Use) is available on Hilti Online. Please check for any revisions before installing the product.



Hilti Corporation
9494 Schaan Liechtenstein
Tel.: +423-234 2111

www.facebook.com/hiltigroup
www.hilti.group